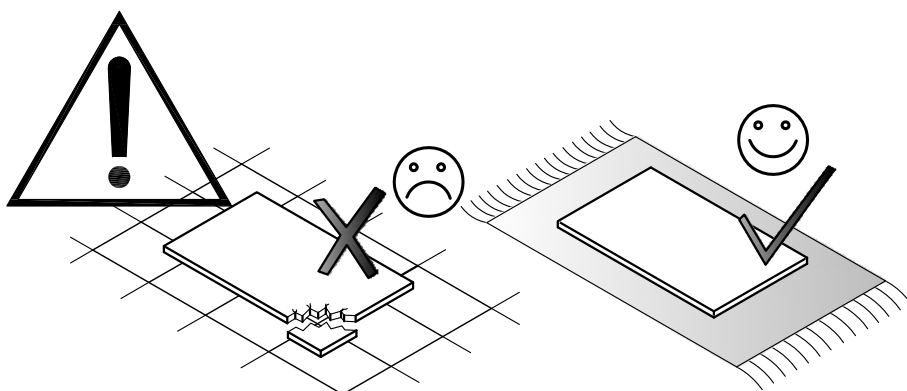
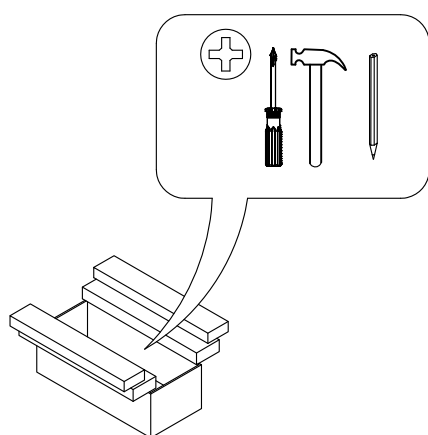
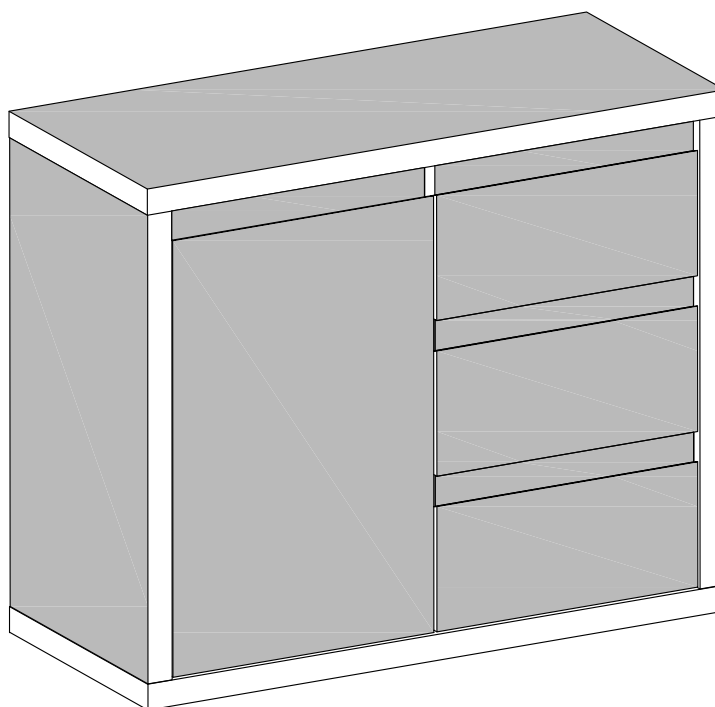
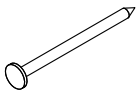




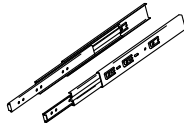
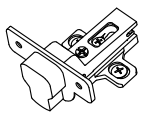
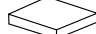
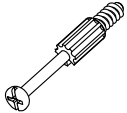
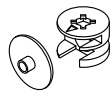
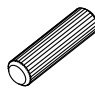


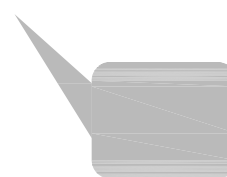


A	B	C	D
1	681x394x38	1	1/2
2	681x394x38	1	1/2
3	681x377x16	1	2/2
4	408x376x16	1	2/2
5	904x376x3	2	1/2
6	910x395x38	1	1/2
7	910x395x38	1	1/2
8	408x70x16	4	2/2
9	411x634x16	1	2/2
10	366x346x3	3	2/2
11	411x182x16	3	2/2
12	350x113x16	6	2/2
13	352x100x16	3	2/2
14	352x100x16	3	2/2

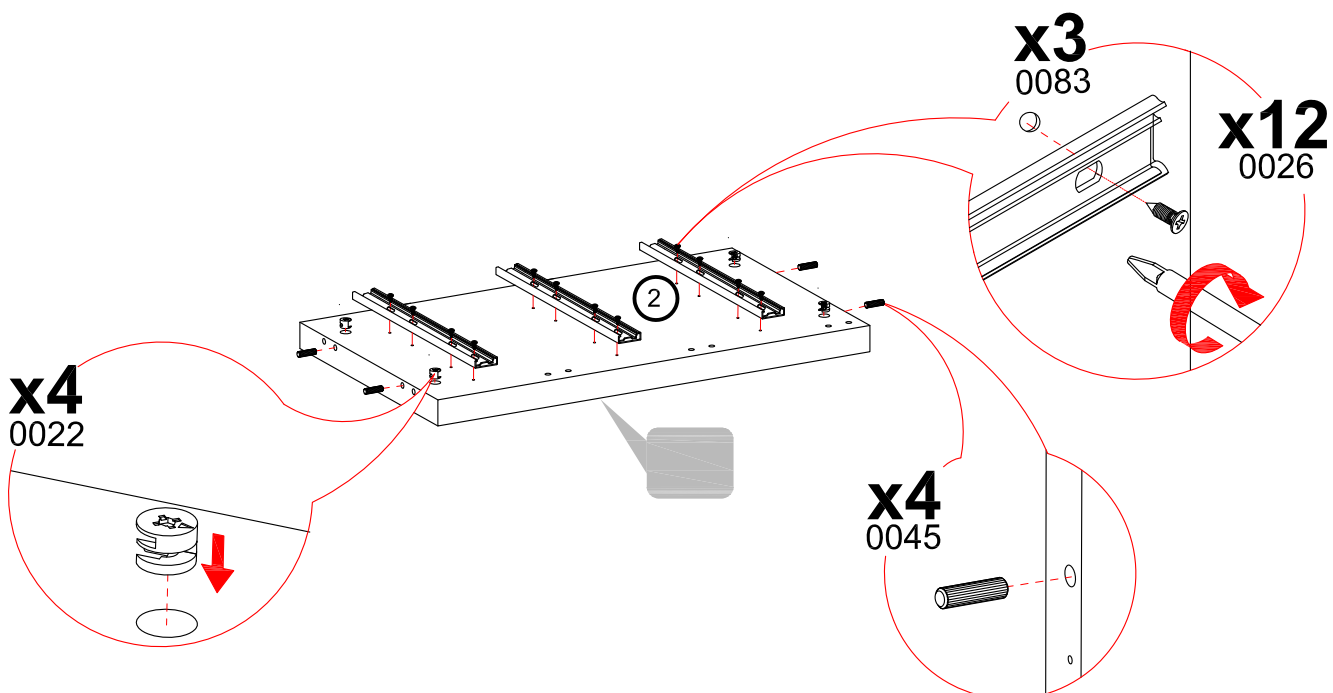
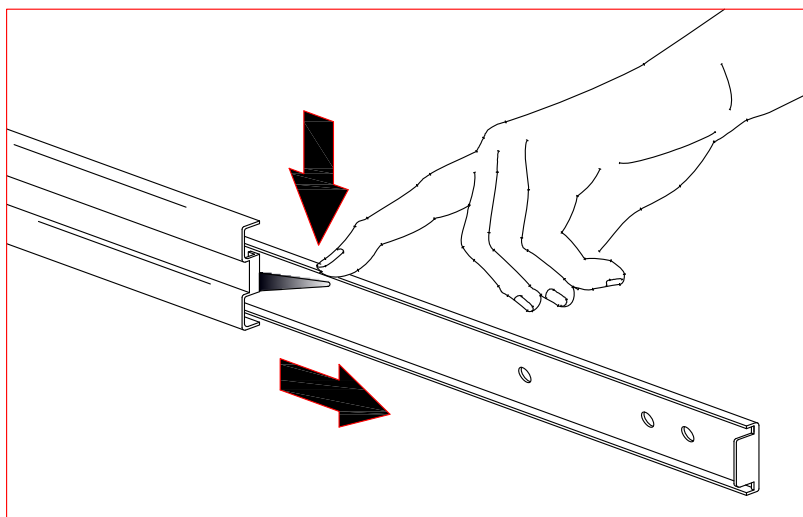
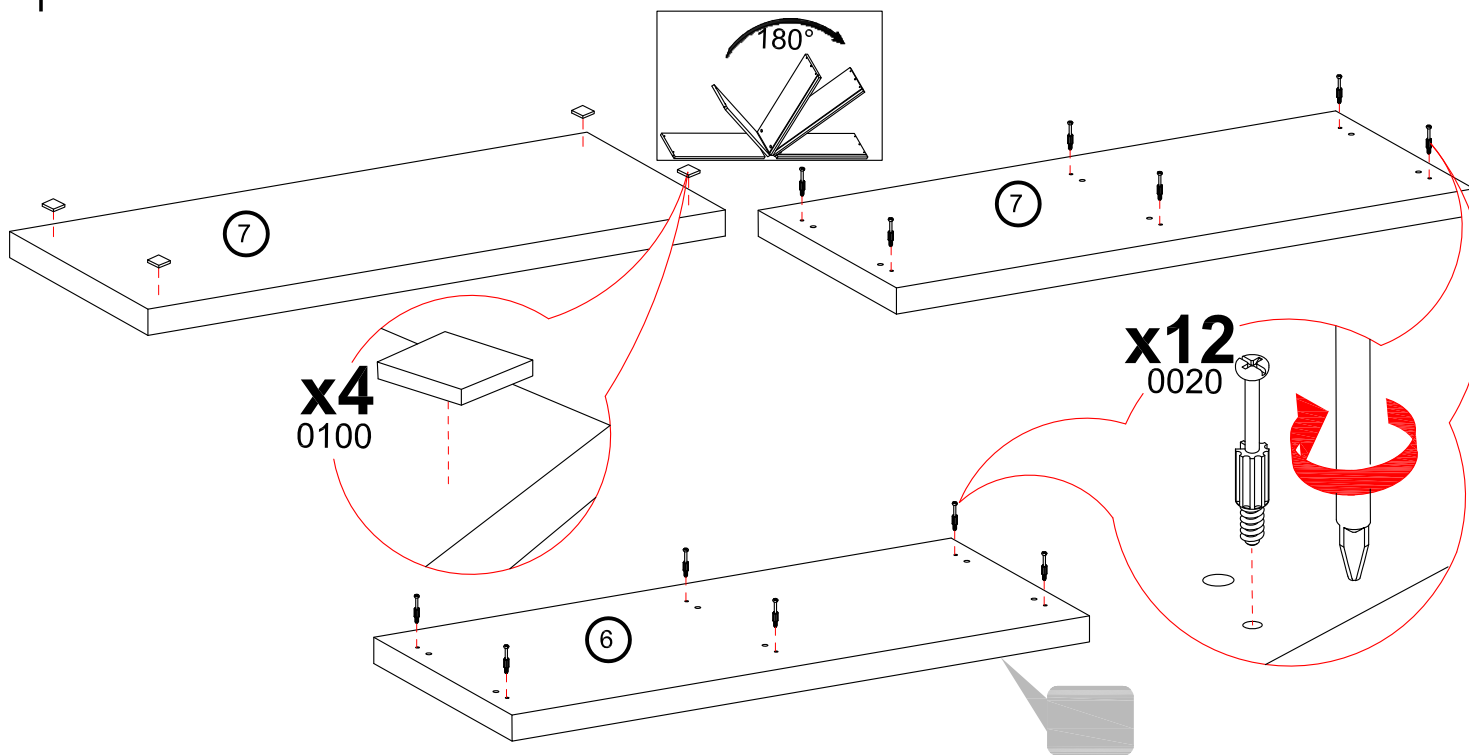


0059  x90	0026  3,5x13 x24	0032  4x13 x4	0037  4x25 x12	0039  4x35 x12
0083  L=350 x3	0004  H=0 x2	0100  x4	0020  x16	
0022  x16	0045  8x30 x40	0047  8x50 x2	0246  x8	



-ГЛЯНЕЦ

1



2

x4
0022

x2
0020

x2
0004

x4
0022

x4
0045

x2
0020

x4
0045

x6
0045

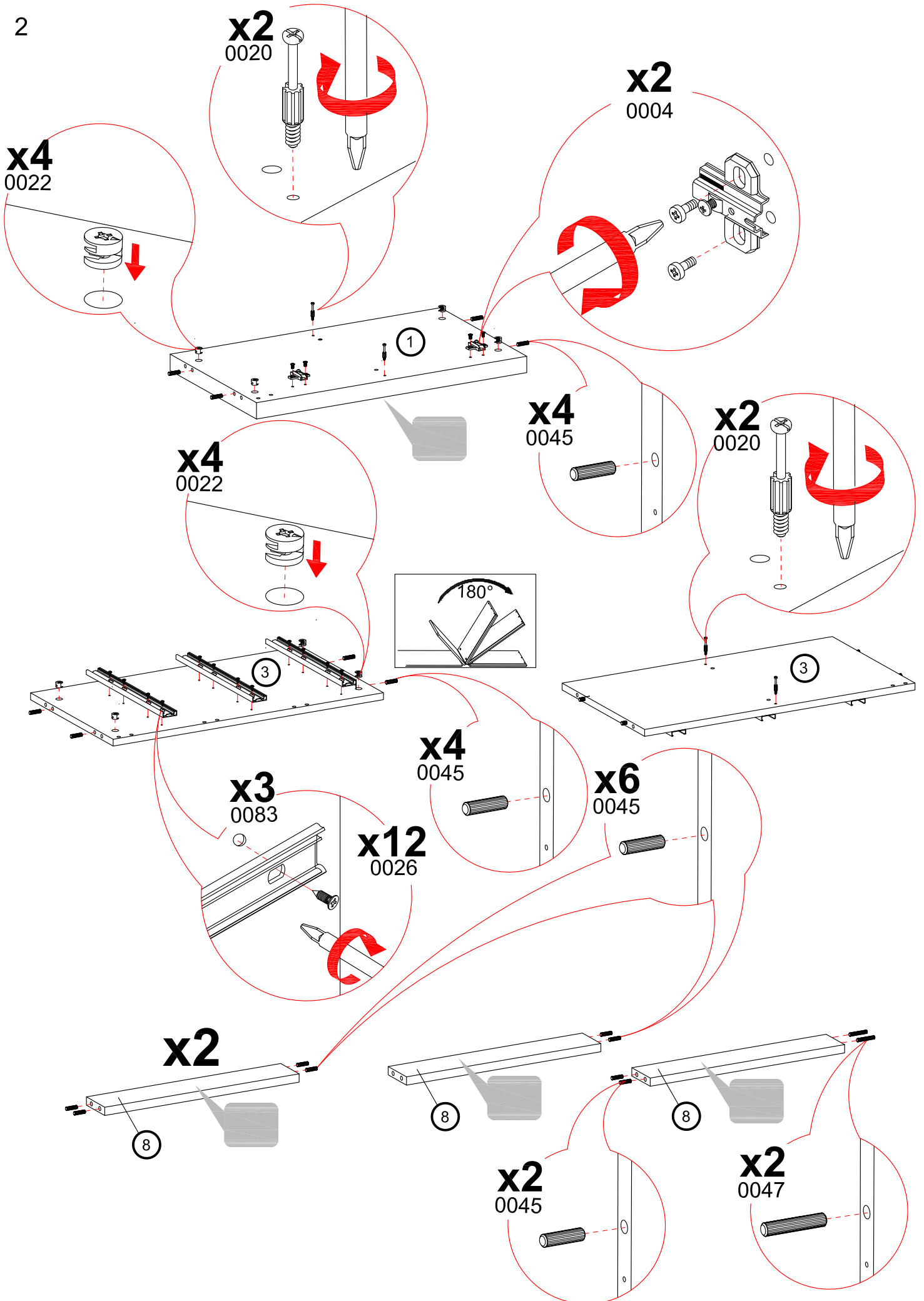
x3
0083

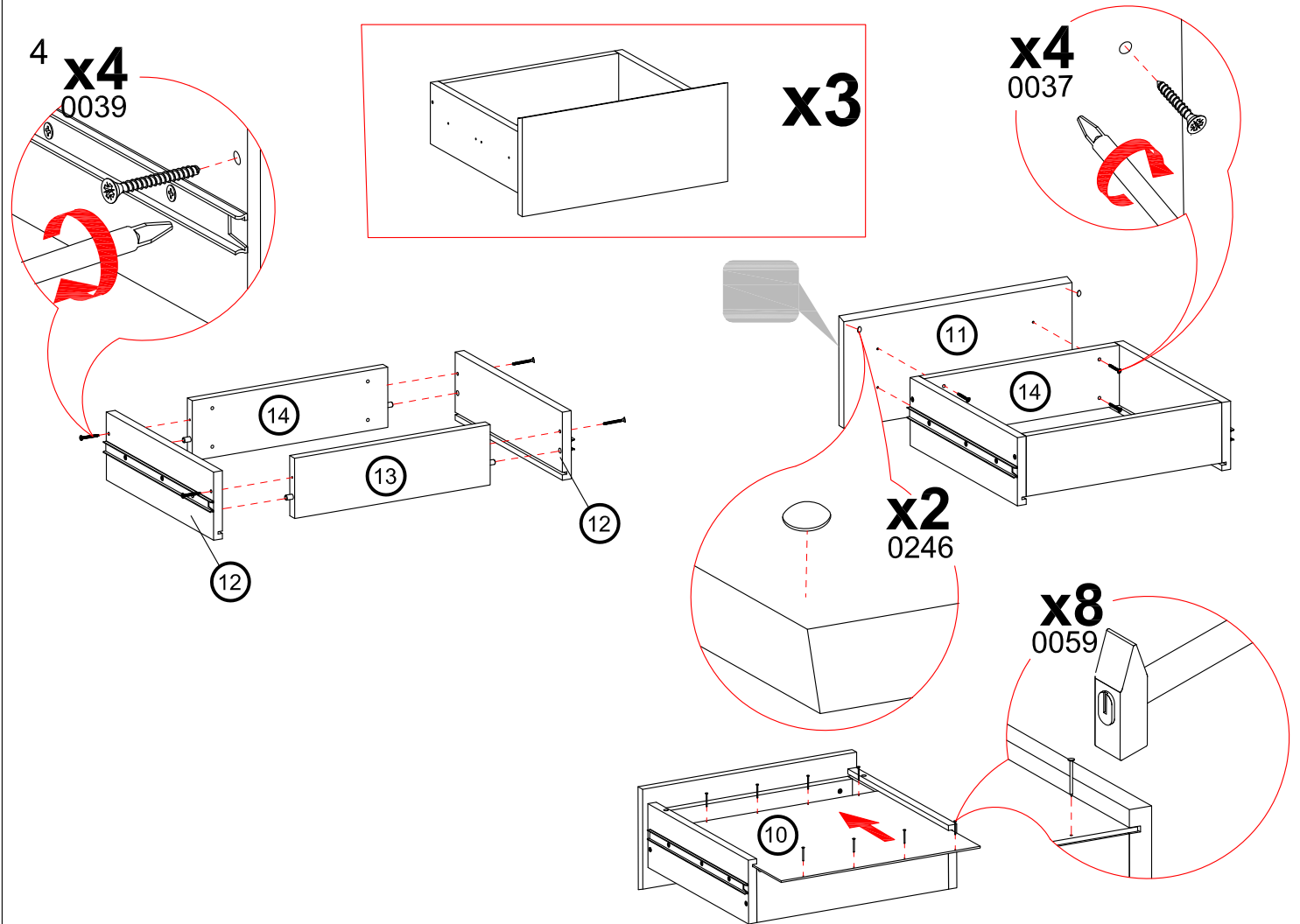
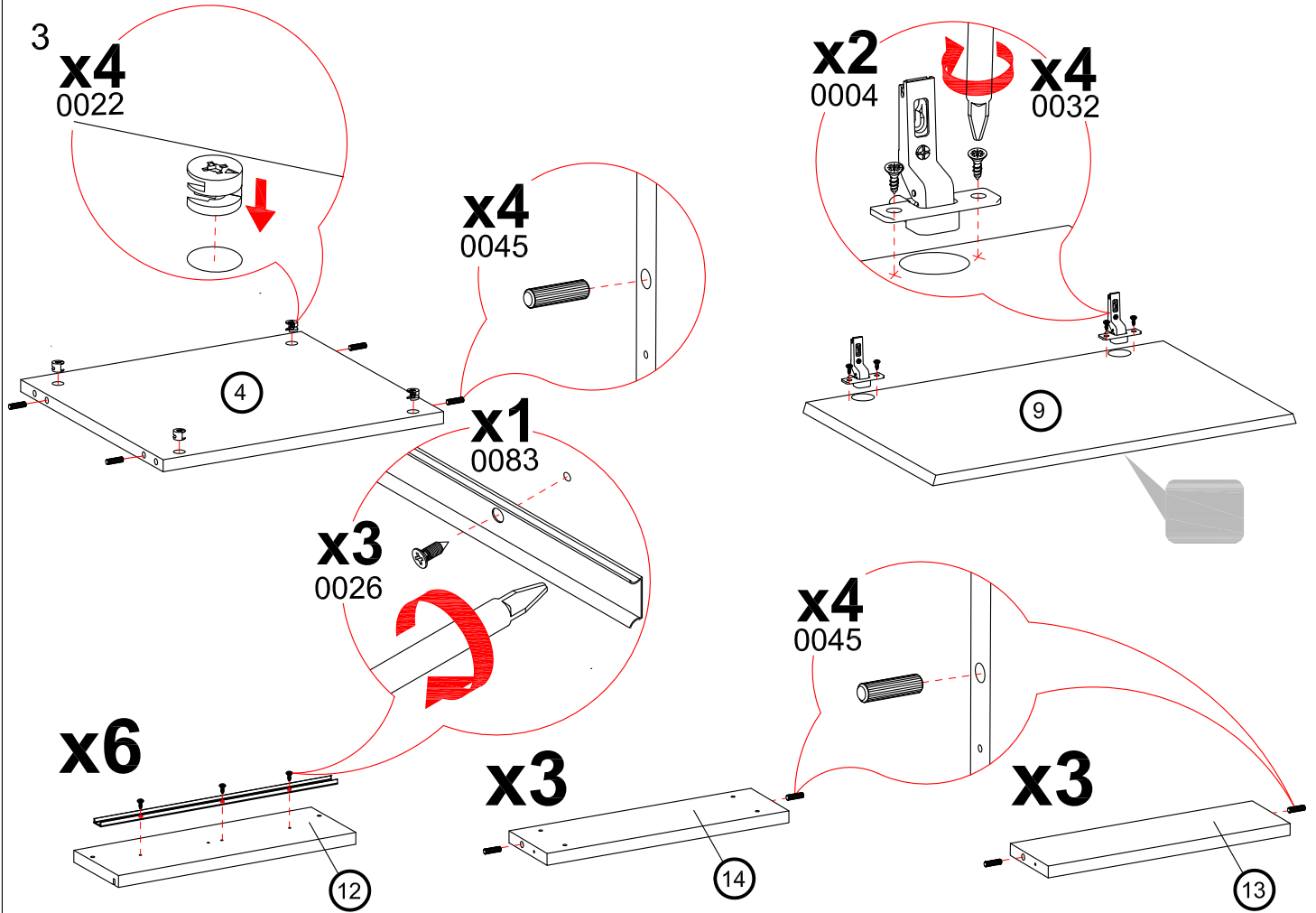
x12
0026

x2

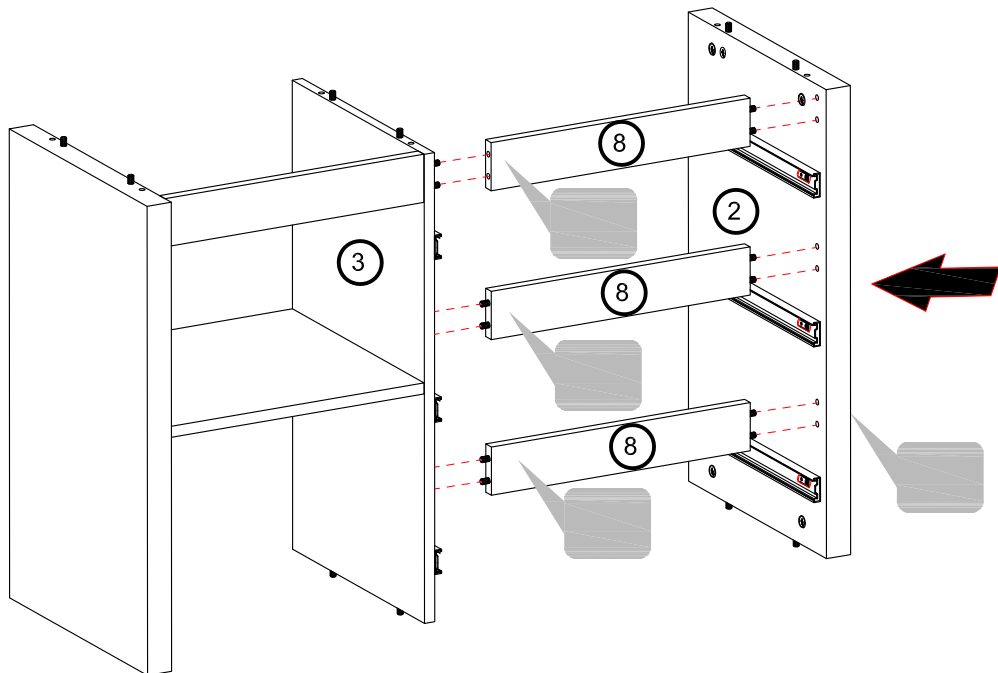
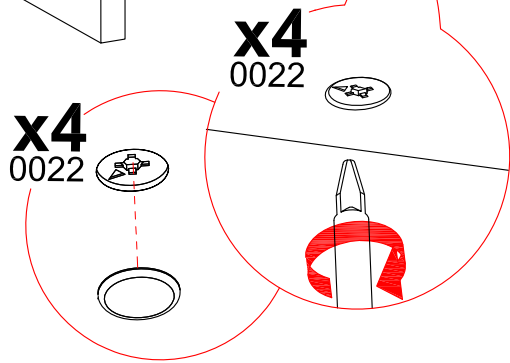
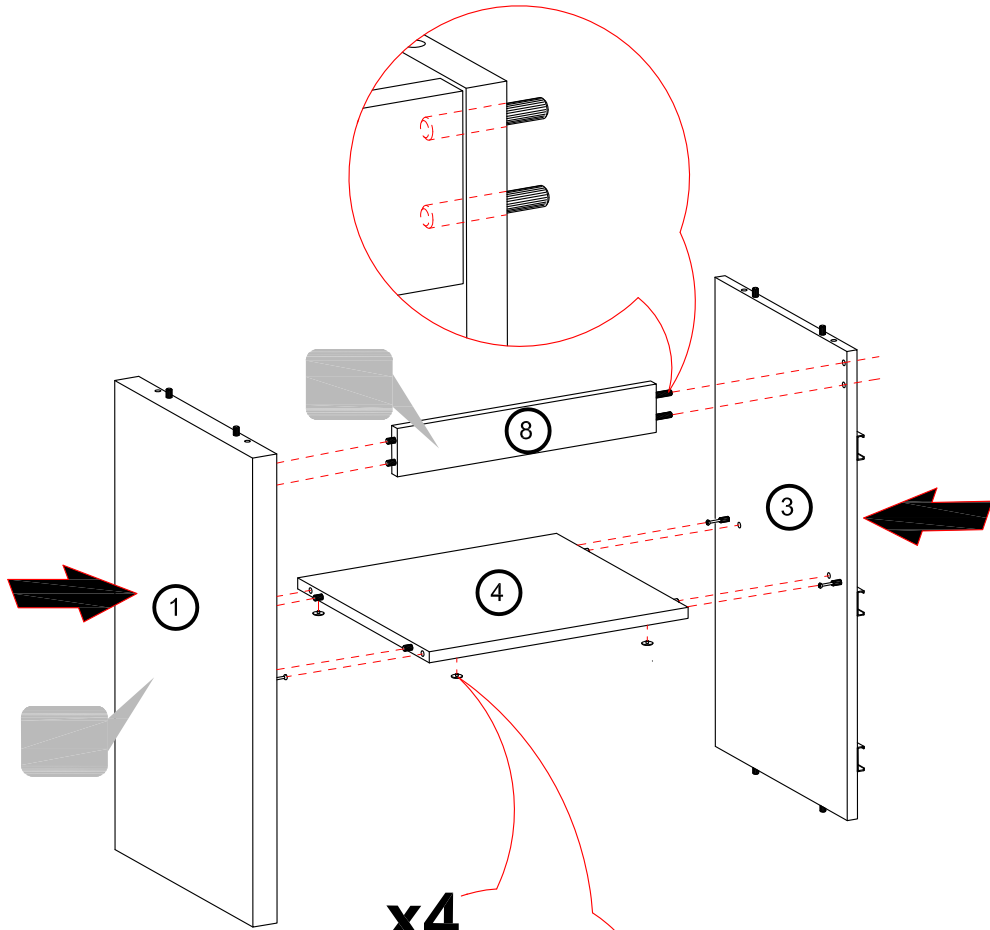
x2
0045

x2
0047

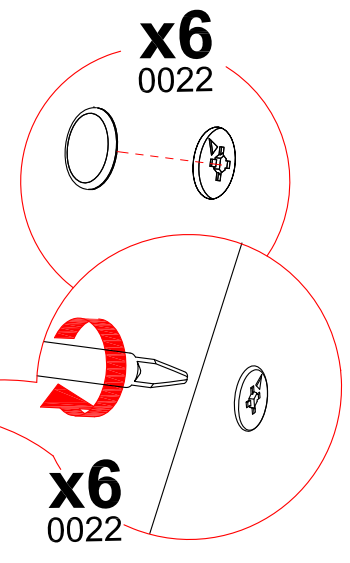
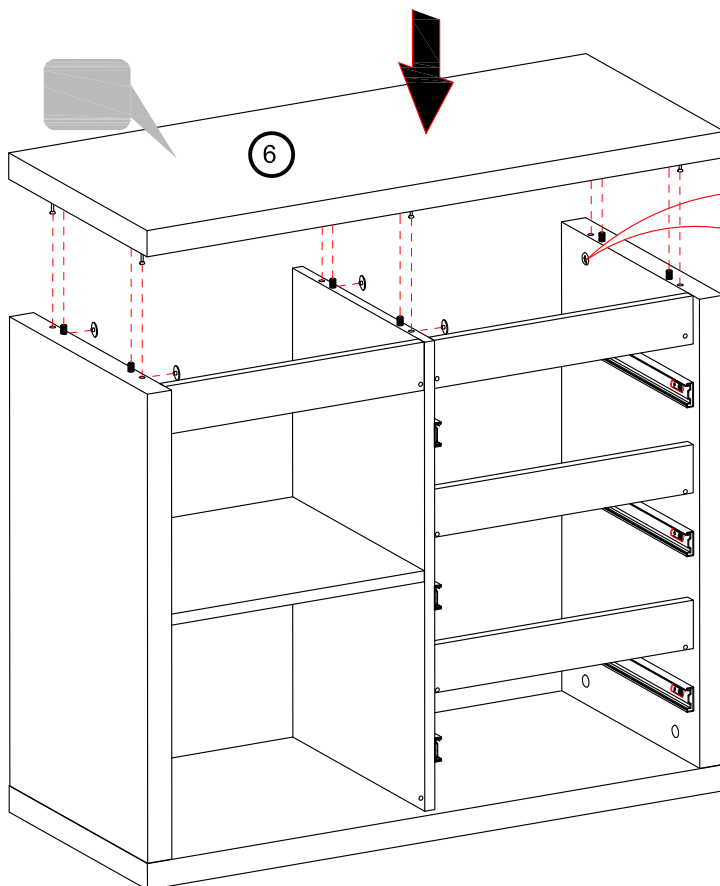
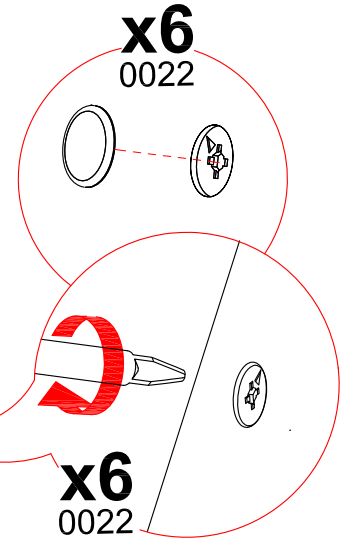
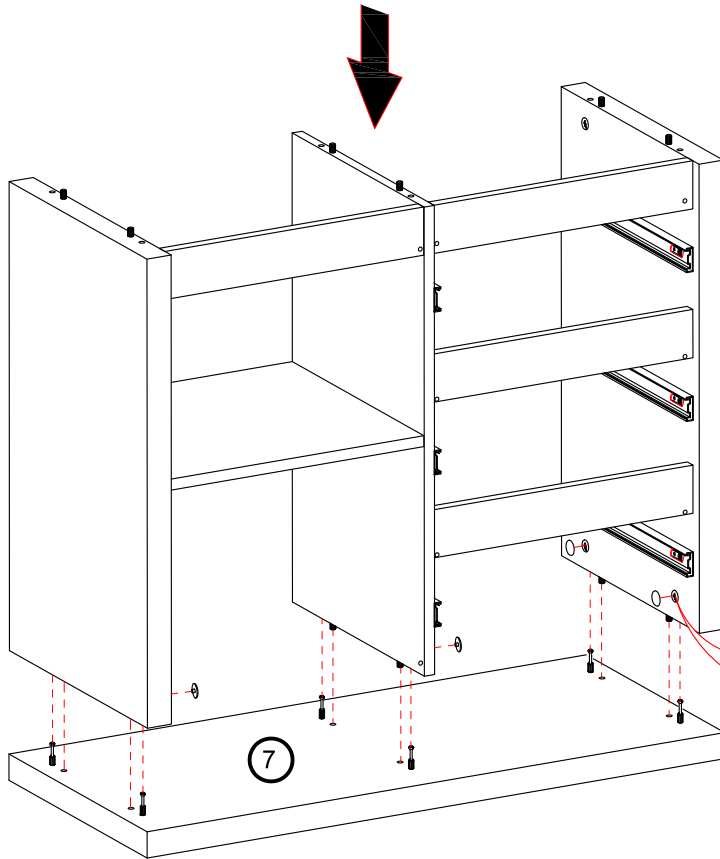




5



6



7

