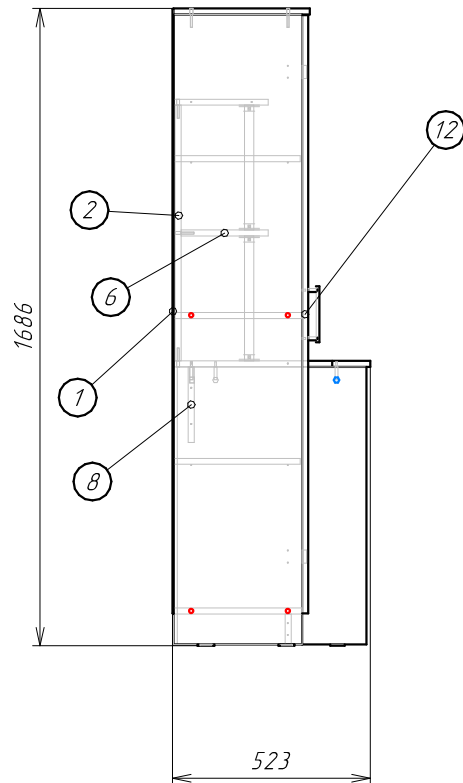
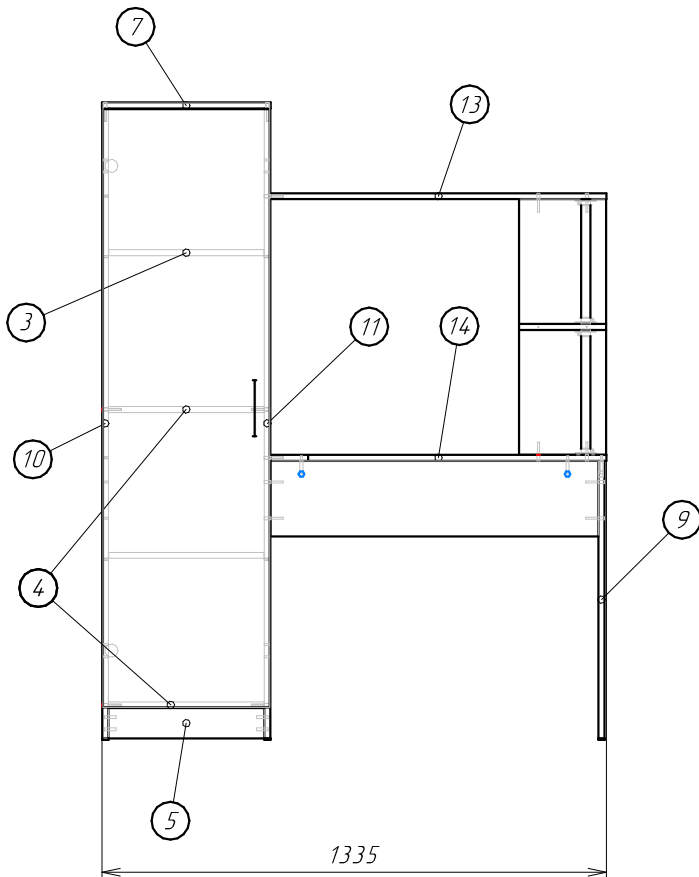
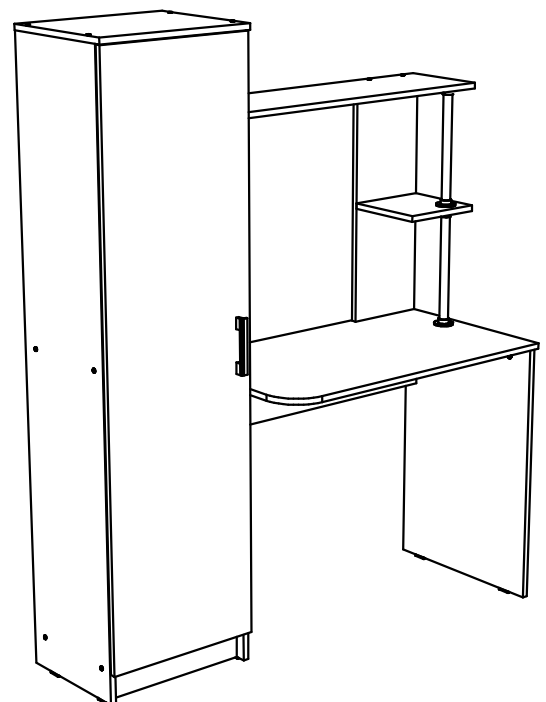
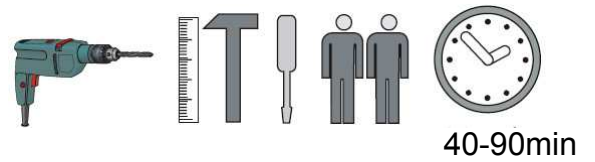
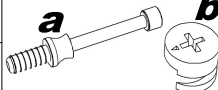
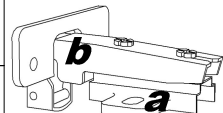
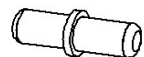
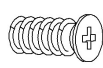
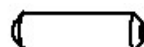
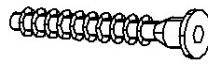

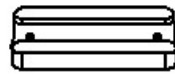


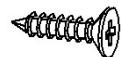
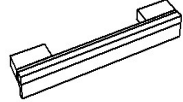
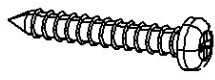

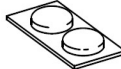



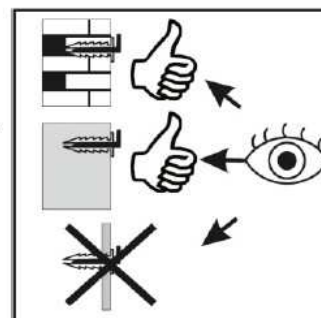
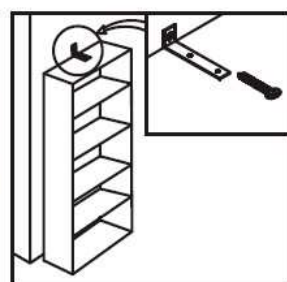
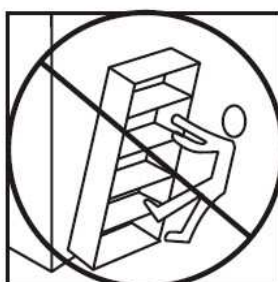
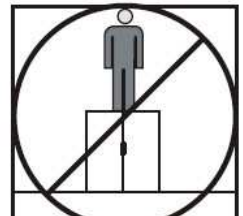
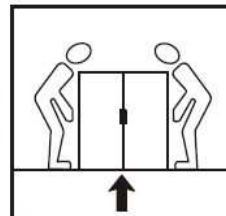
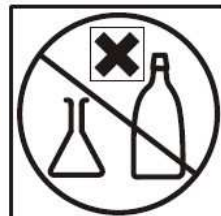
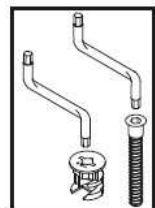
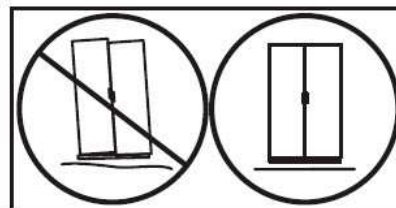
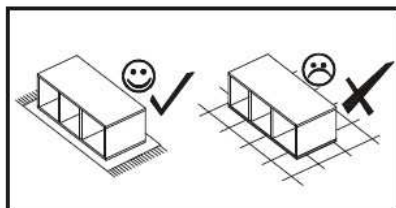
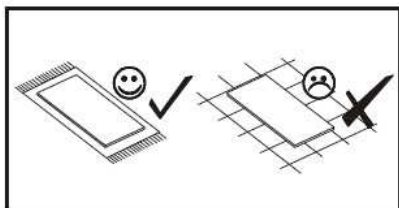
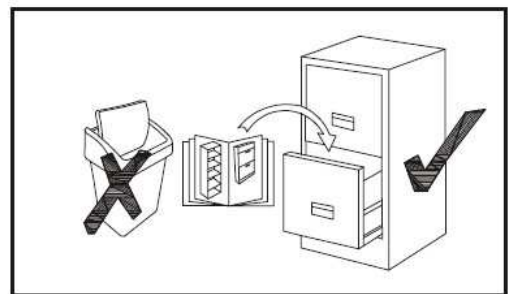
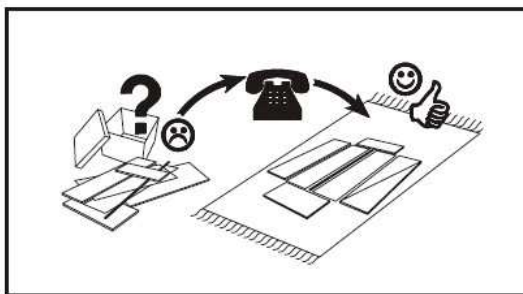
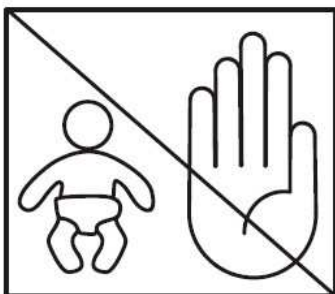
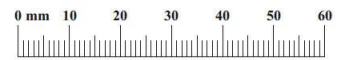
" Stanley "



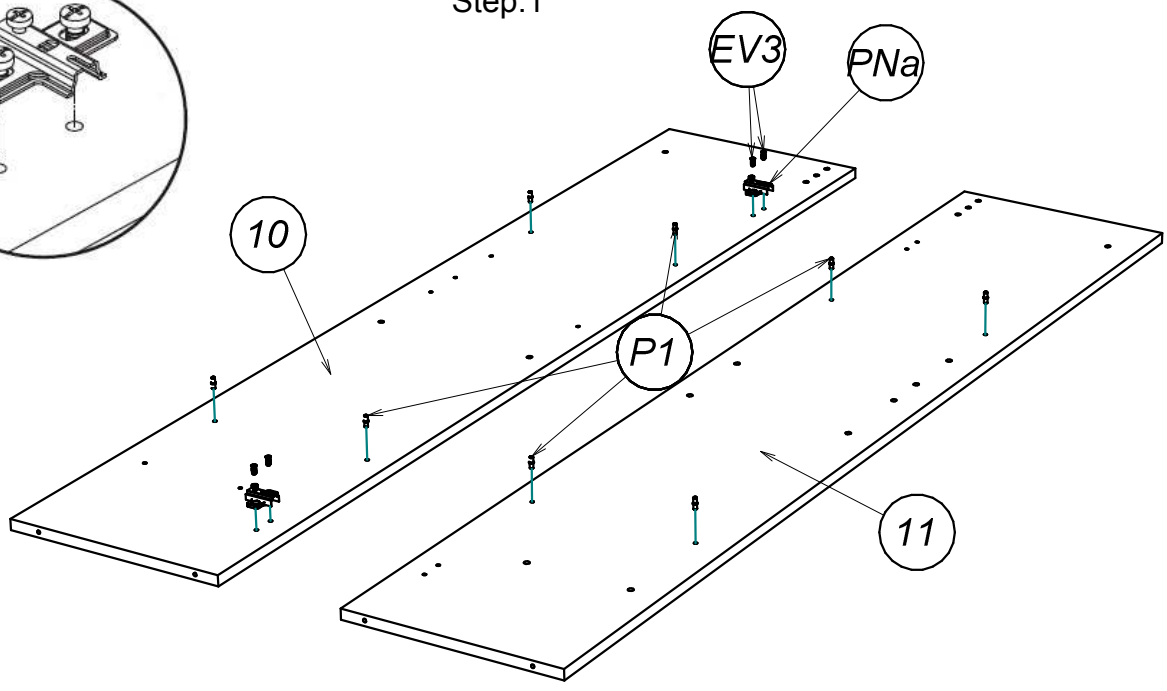
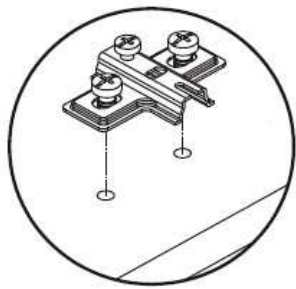
No	Dim.			Qty
1	1598	441	3	1
2	676	230	16	1
3	410	335	16	2
4	413	339	16	2
5	413	80	16	1
6	230	230	16	1
7	447	360	16	1
8	868	200	16	1
9	734	500	16	1
10	1666	340	16	1
11	1666	340	16	1
12	1582	441	16	1
13	889	250	16	1
14	889	520	16	1



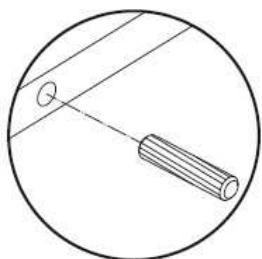
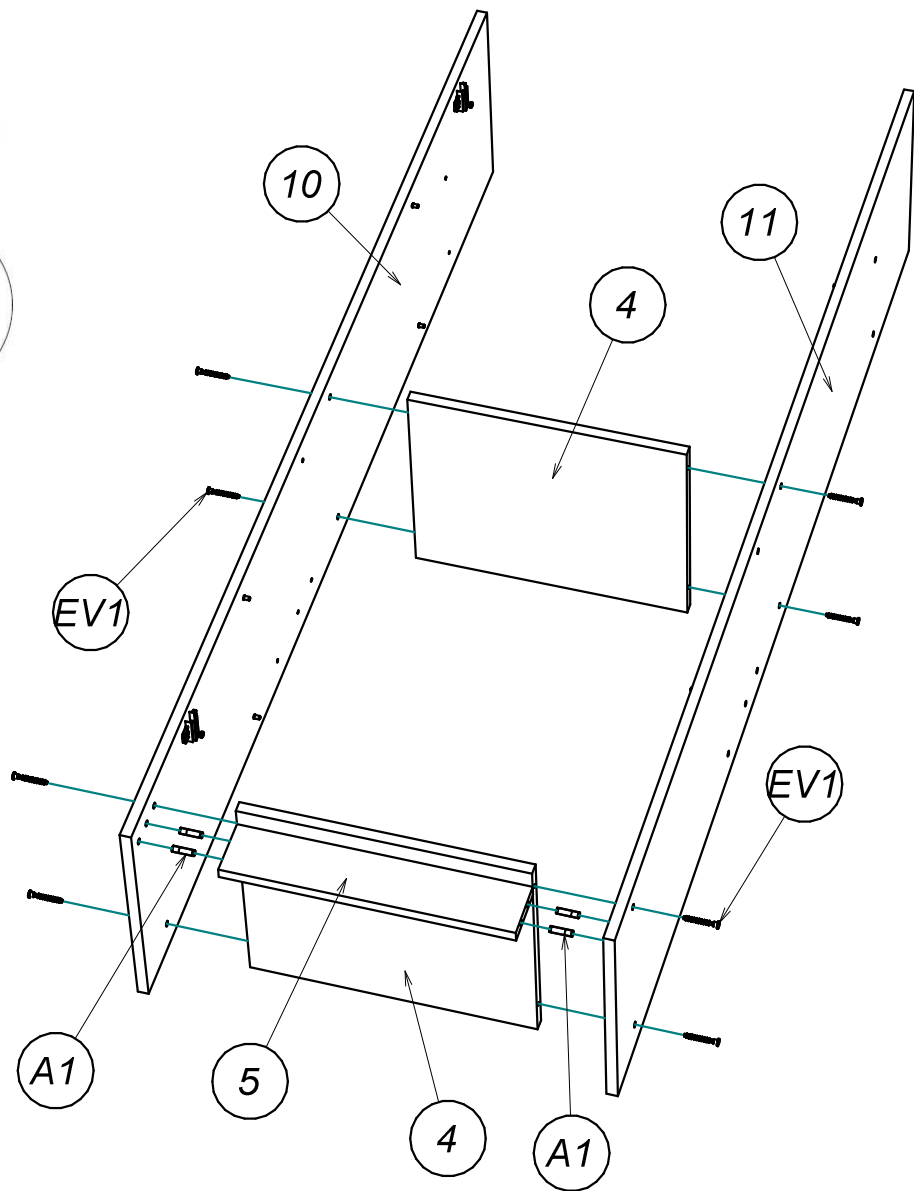
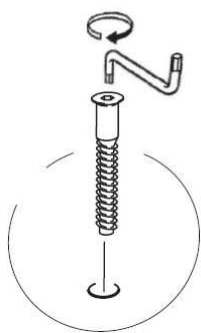
S1 x4 	PN x2 	P1 x8 Ø5x16 	EV3 x4 6,3x13 
A1 x4 D8x30 	EV1 x26 7x50 	GV x55 1,6x25 	OP1 x6 
SH x2 329mm 	SK1 x4 	D1 x16 3,5x16 	R2 x1 C-17 (128,96) 
D4 x2 4x30 	ZS x22 D18 	AS x2 	KS4 x1 S4 



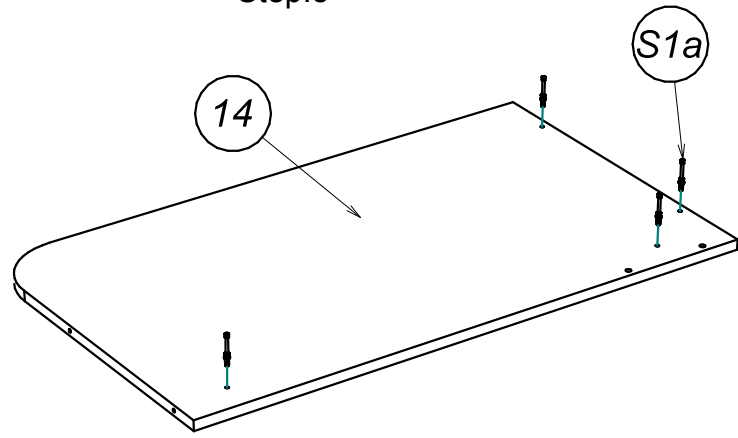
Step.1



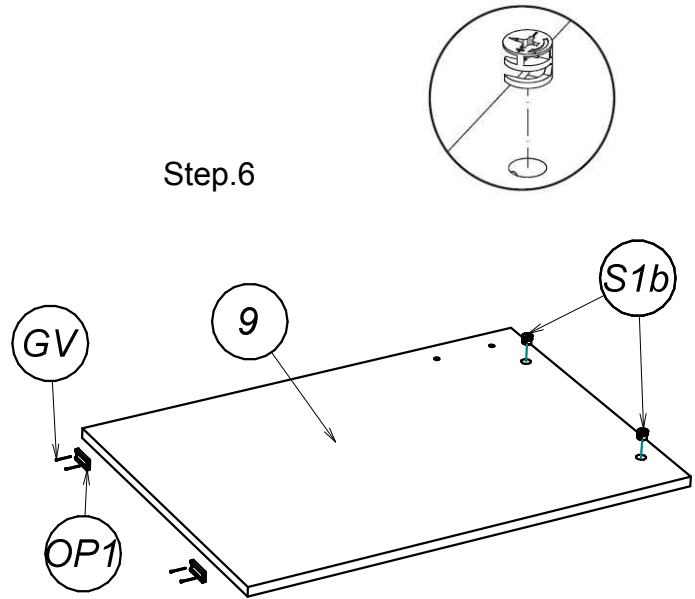
Step.2



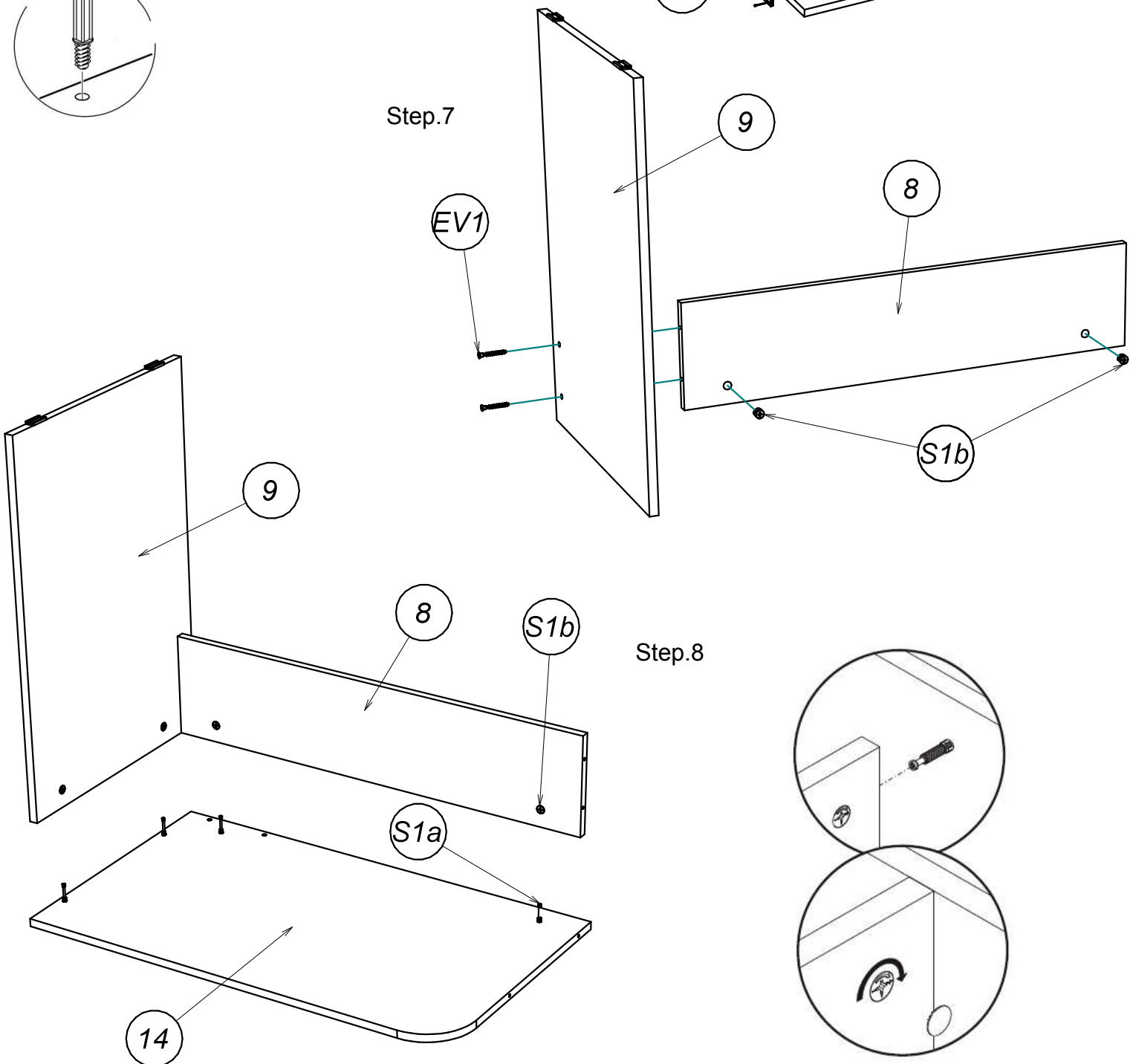
Step.5



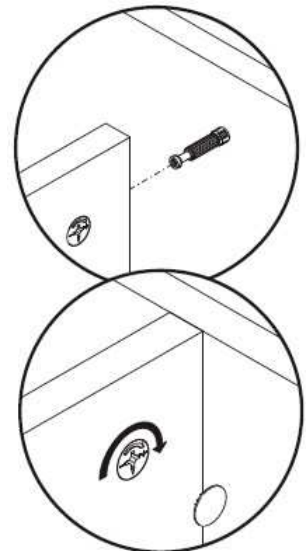
Step.6



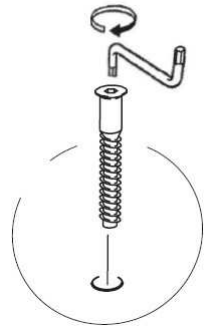
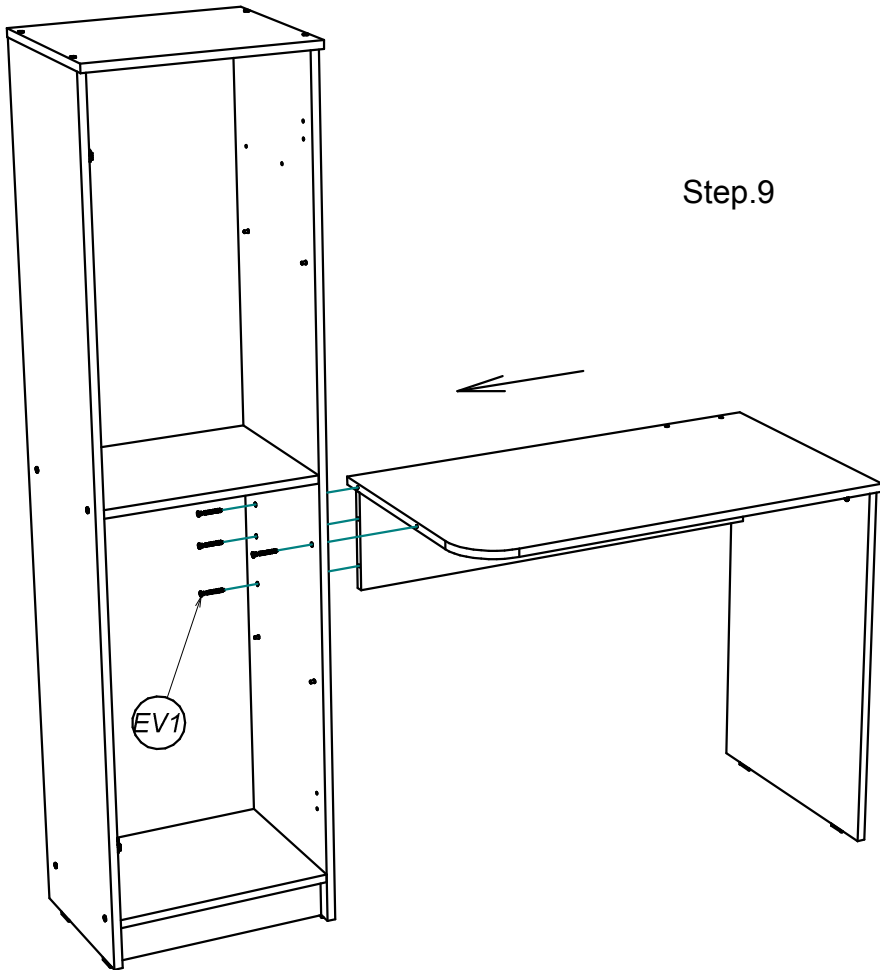
Step.7



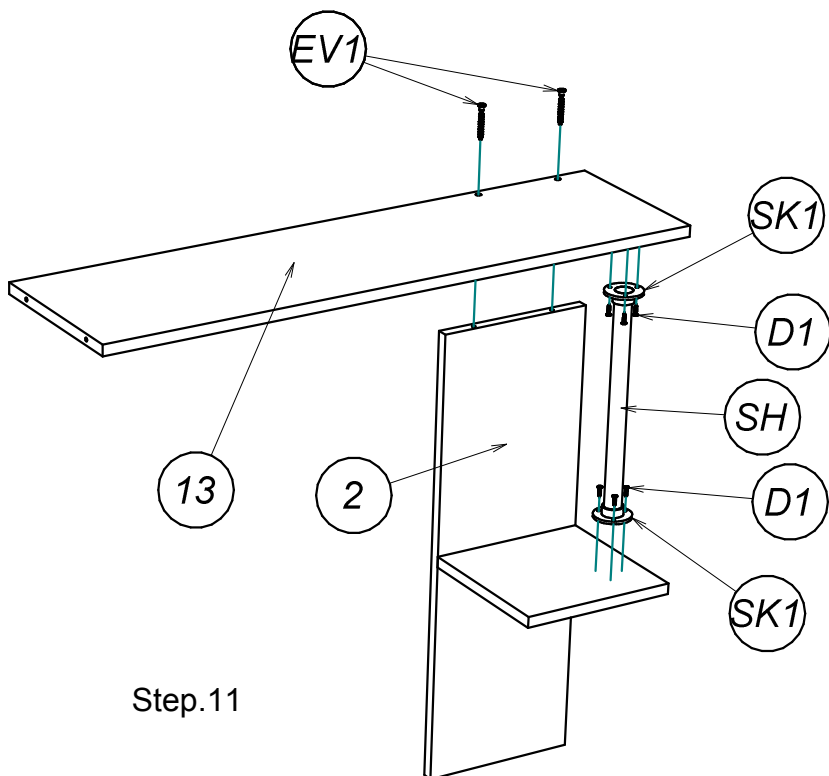
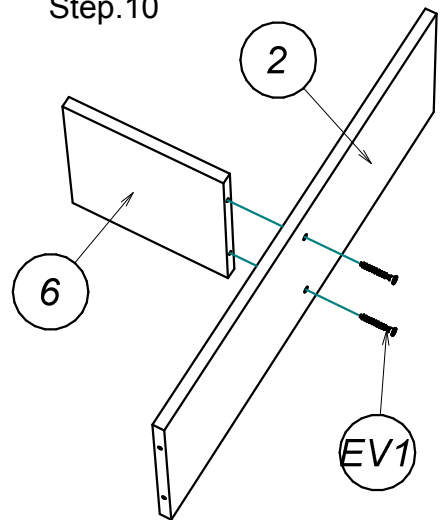
Step.8



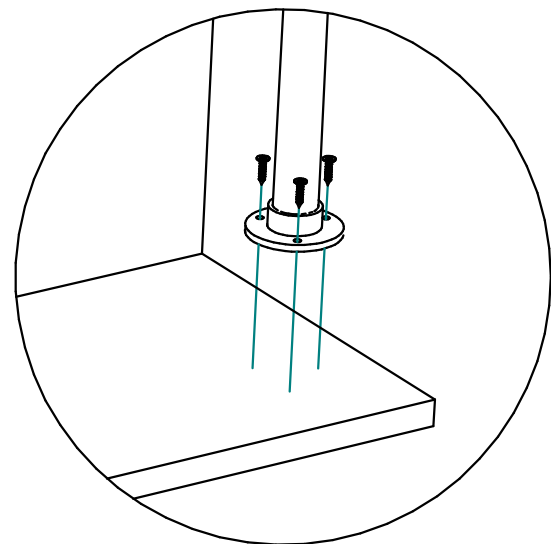
Step.9

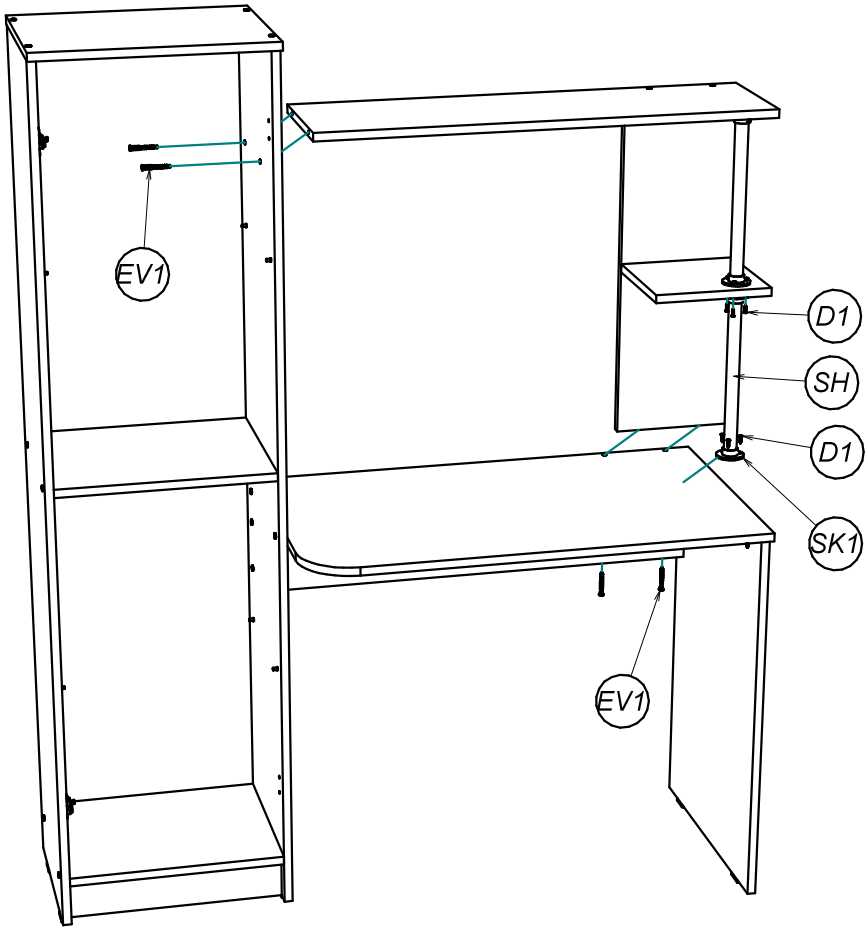


Step.10



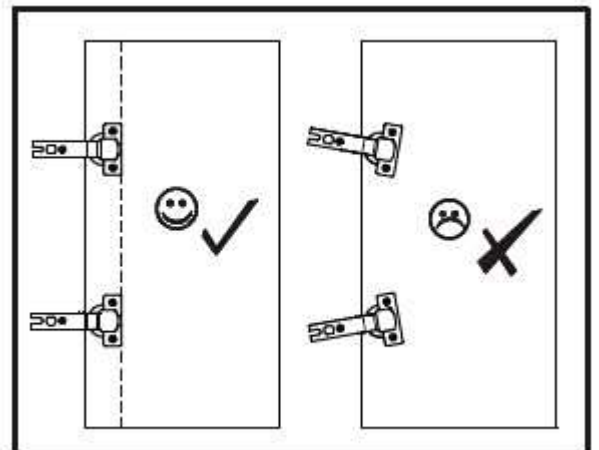
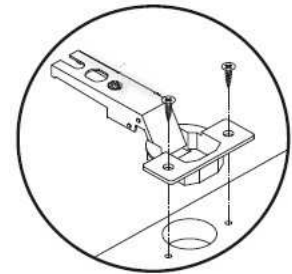
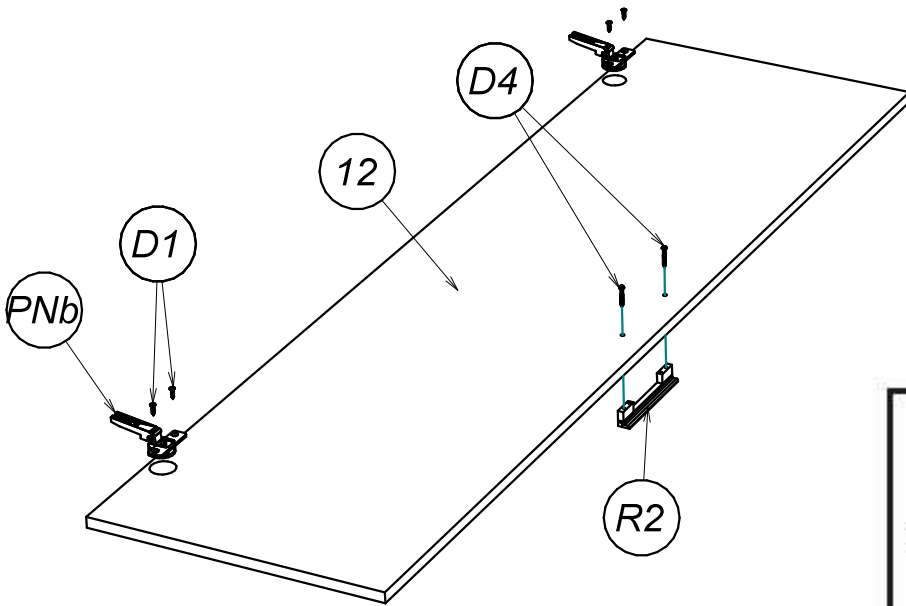
Step.11



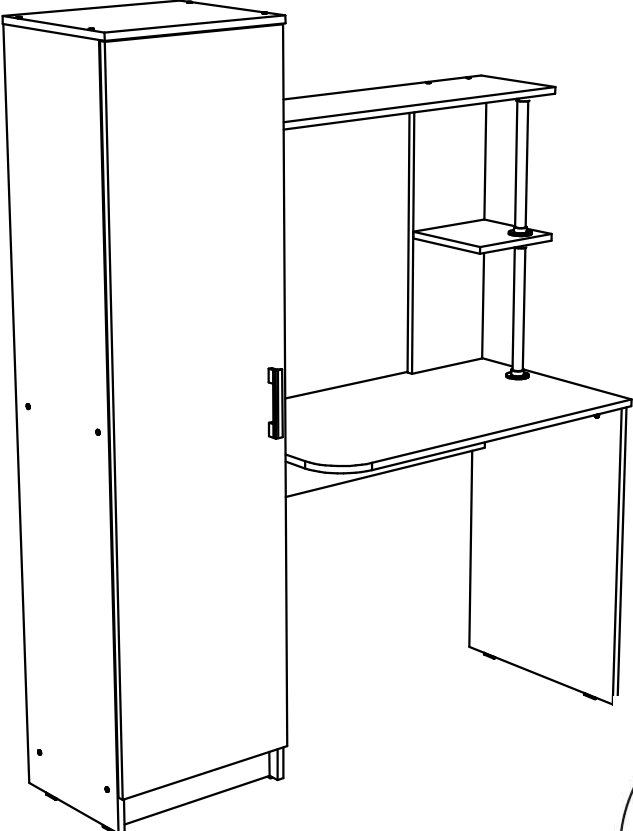
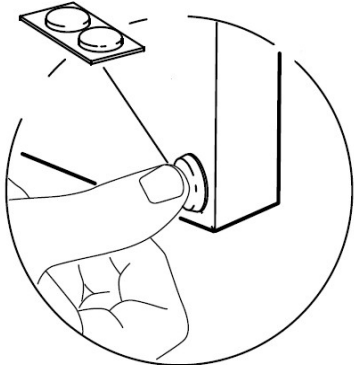
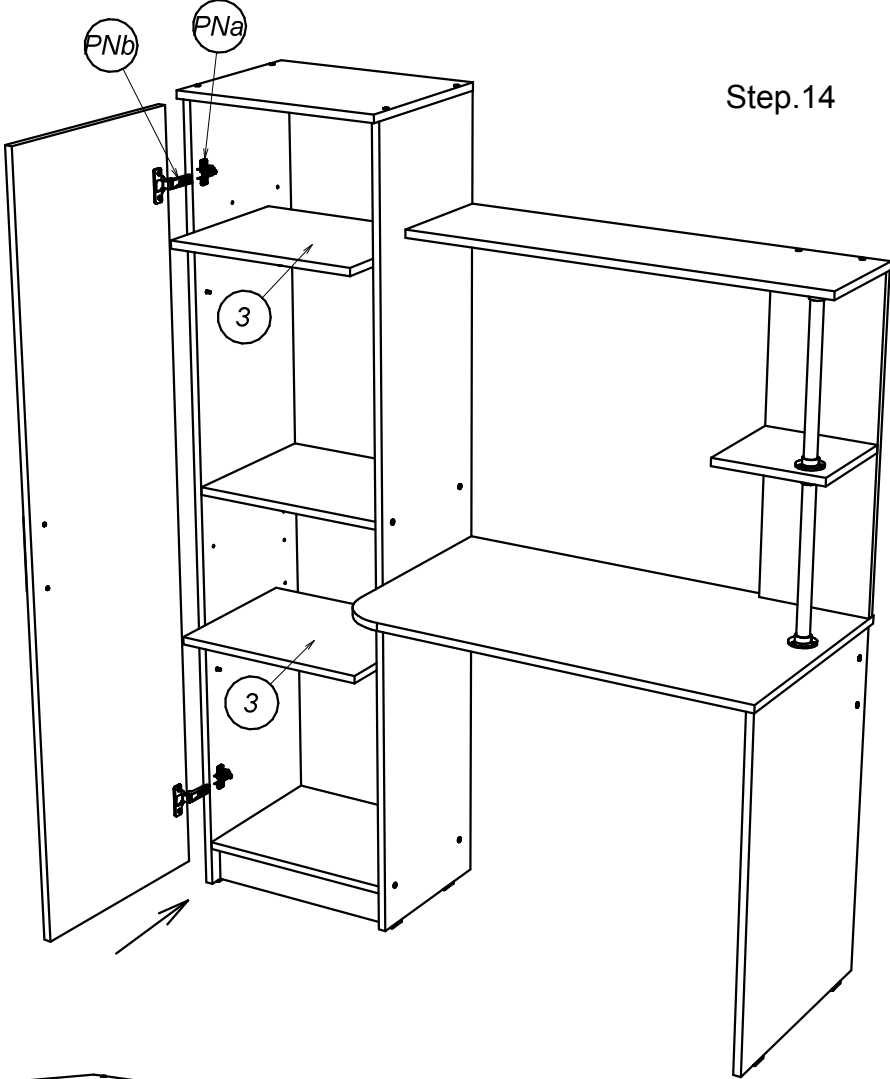


Step.12

Step.13



Step.14



Step.15

