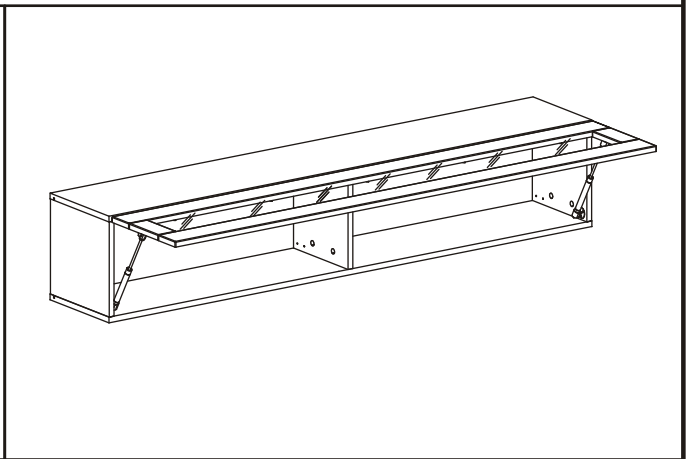
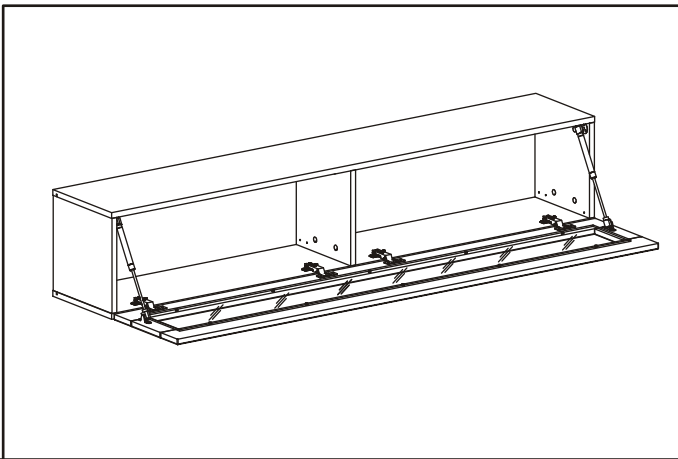
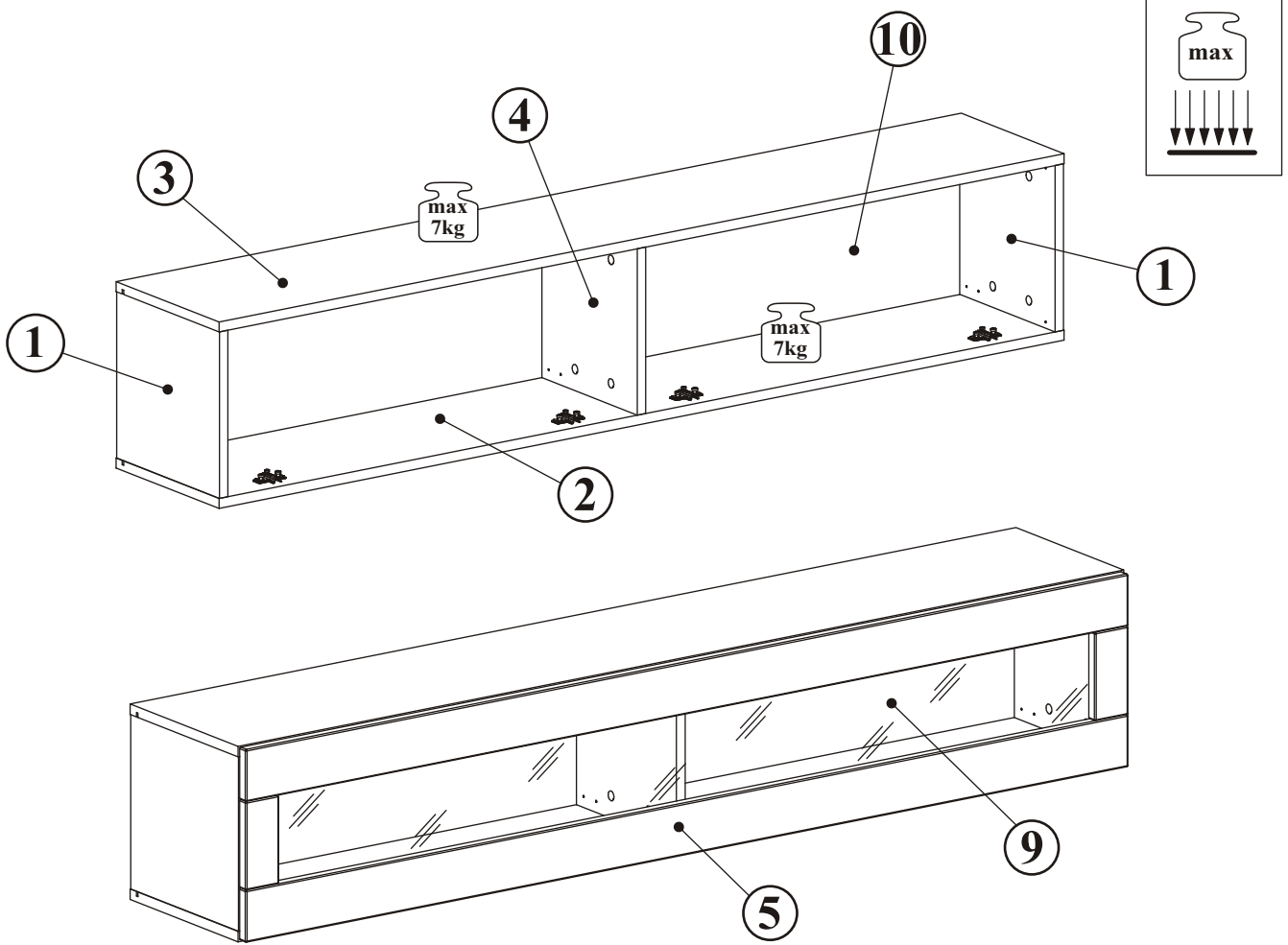
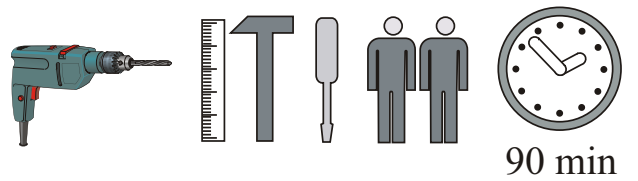


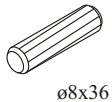
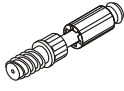


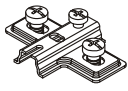
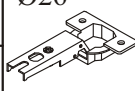

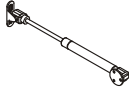
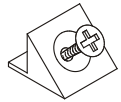
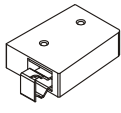
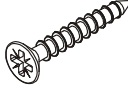




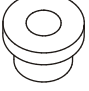
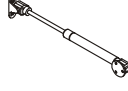
POINT TYP-51

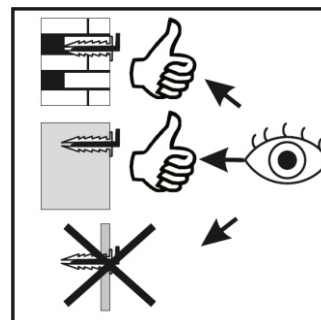
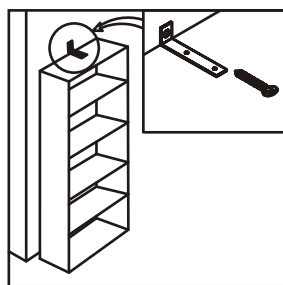
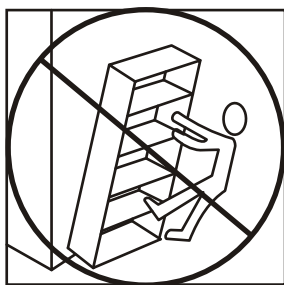
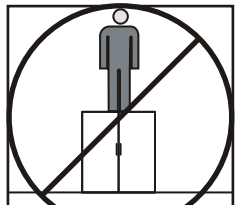
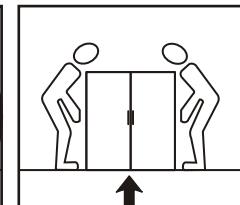
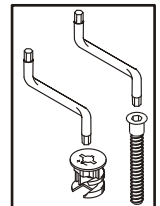
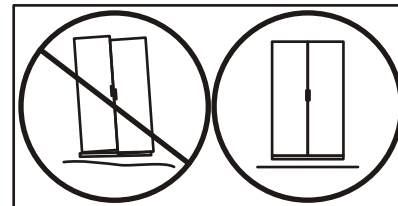
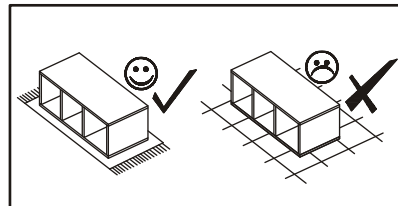
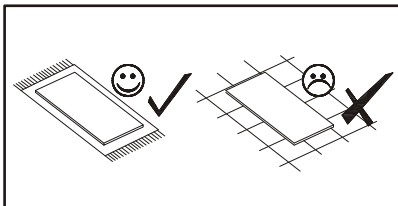
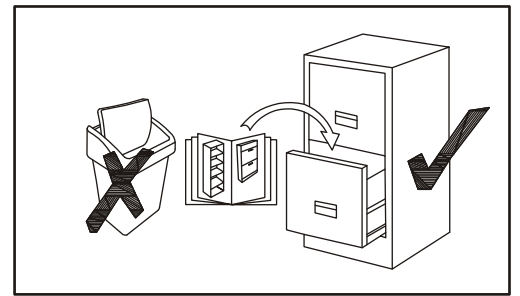
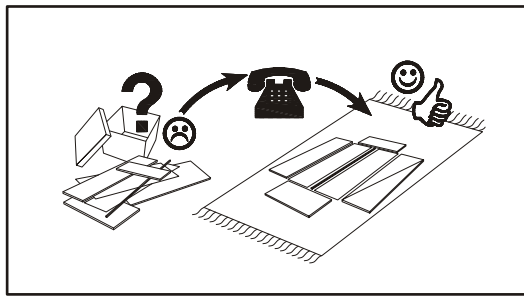
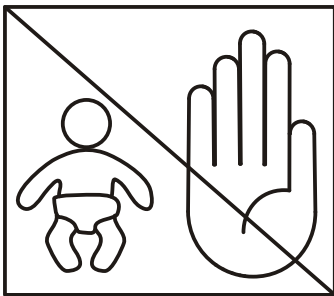
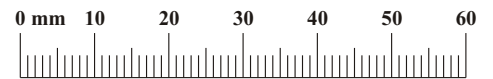


NO	Dim.		Col.-No	Qty
1	268	274	1	2
2	1602	274	1	1
3	1602	274	1	1
4	268	244	1	1
10	1580	280	1	1
5	1596	296	1	1
9	1496	176	1	1




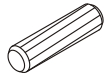
POINT TYP-51

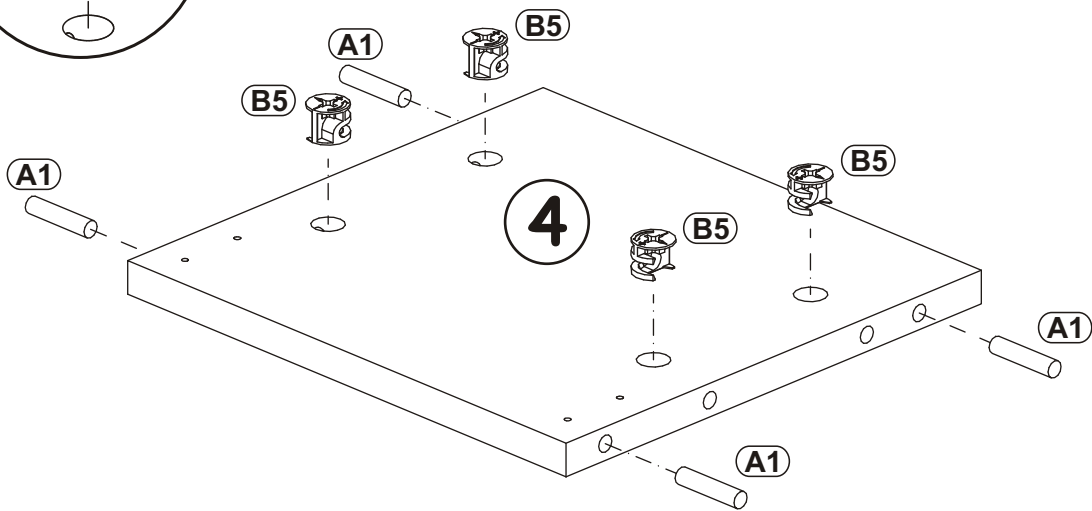
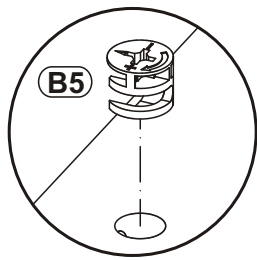
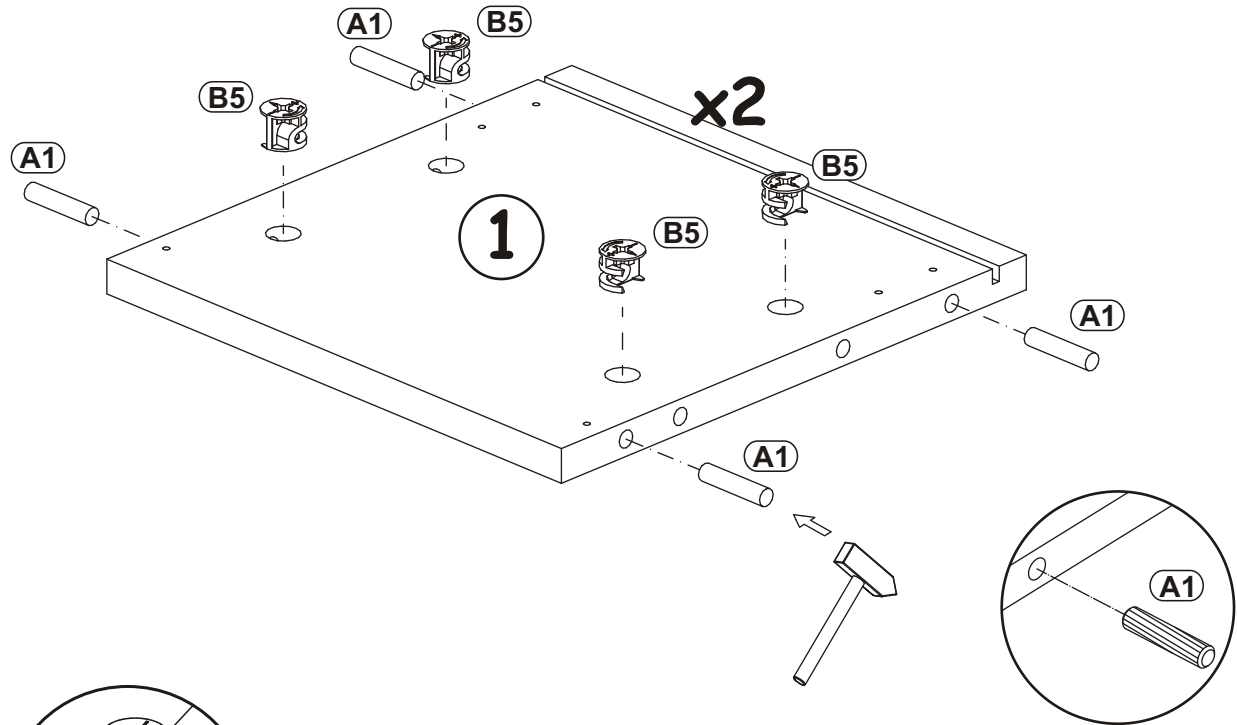
A1 x12  ø8x36	B4 x12 	B5 x12  ø15x12	G5 x12 	E2 x4  H=0	E1 x4  Ø26 H=0
T1 x2 	BO1 x2 	S1 x12 	ZR1 x3 	D6 x6  USØ3,5x30	D10 x22  USØ3,5x13
UP13 x12  UPØ3x16	G2 x1 	KR2 x3 	P2 x10 	BP1 x2 	



1

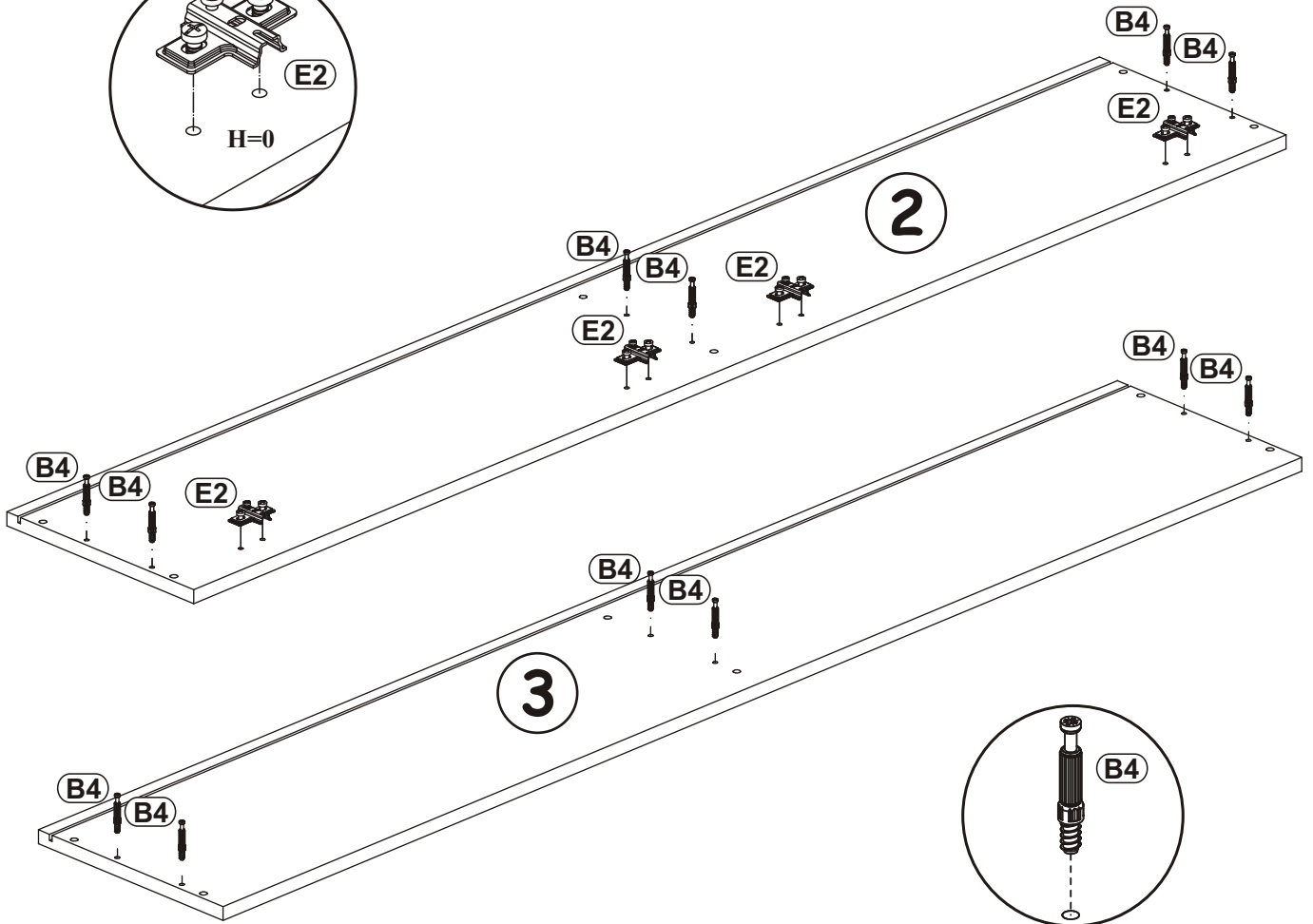
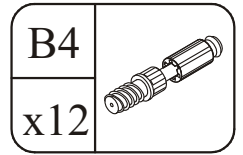
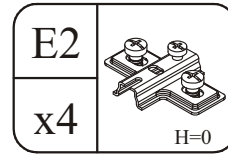
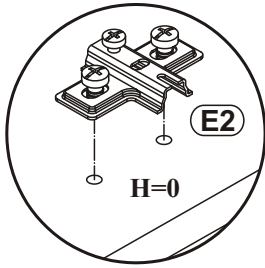
B5	
x12	ø15x12

A1	
x12	ø8x36

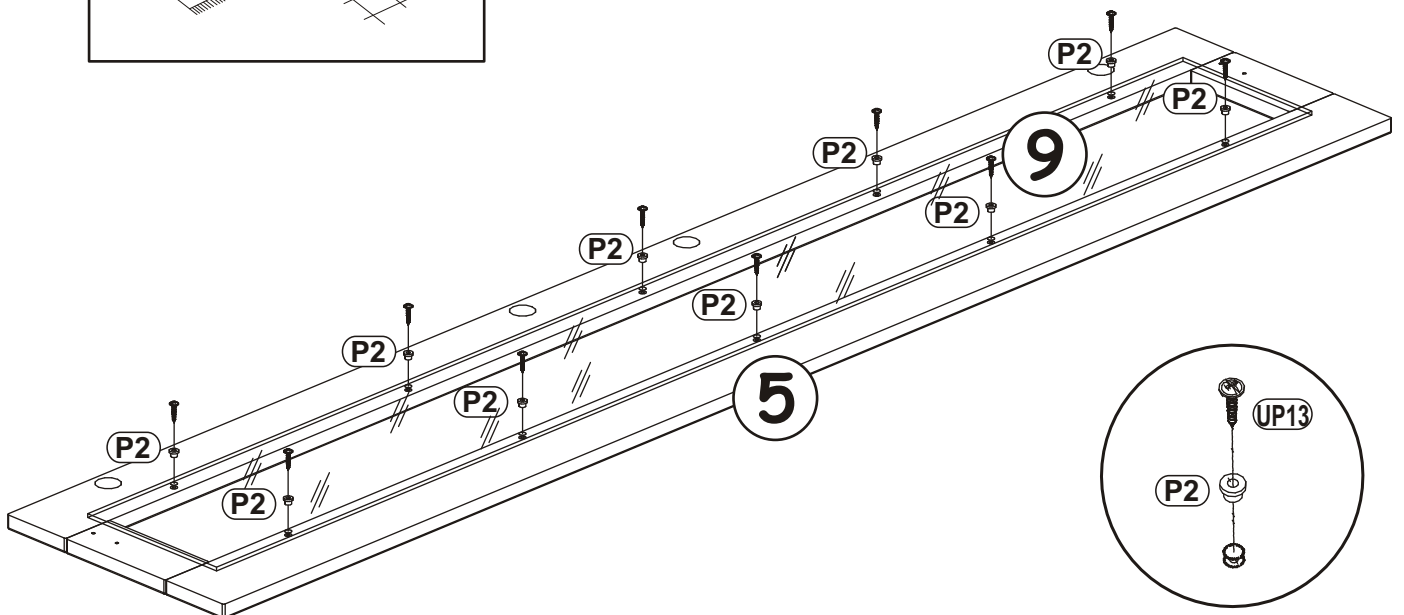
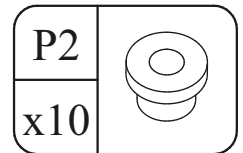
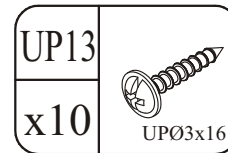
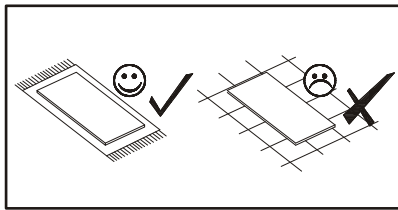


POINT TYP-51

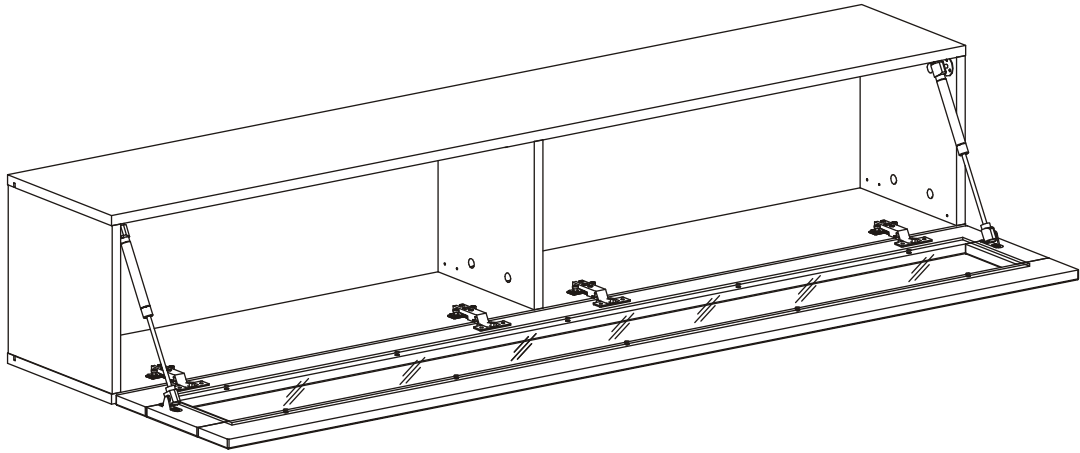
2



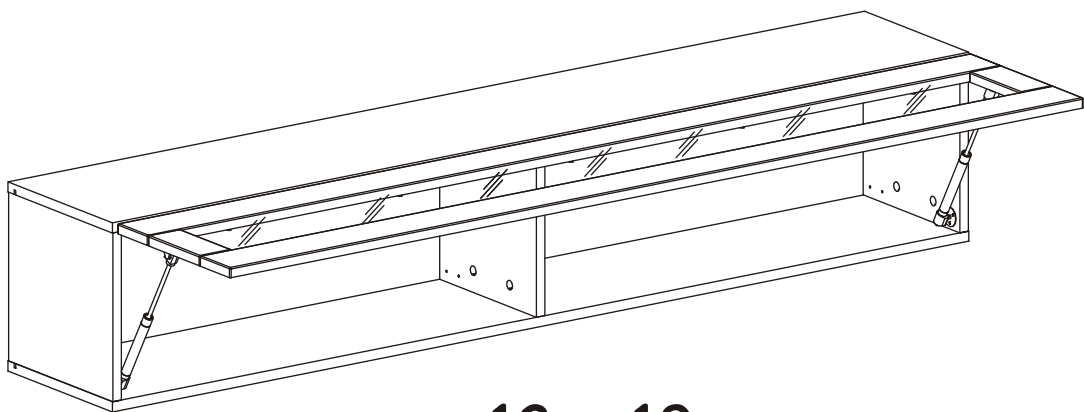
3



POINT TYP-51



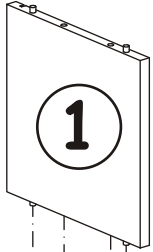
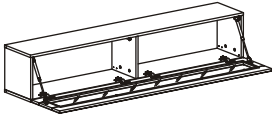
4 - 11



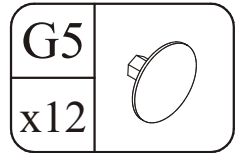
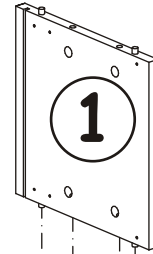
12 - 19

POINT TYP-51

4



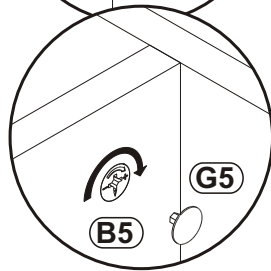
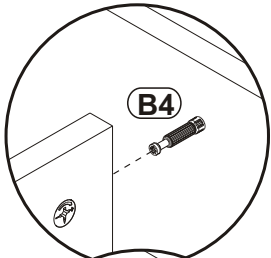
a)



2

b) ↓

10



c)

3

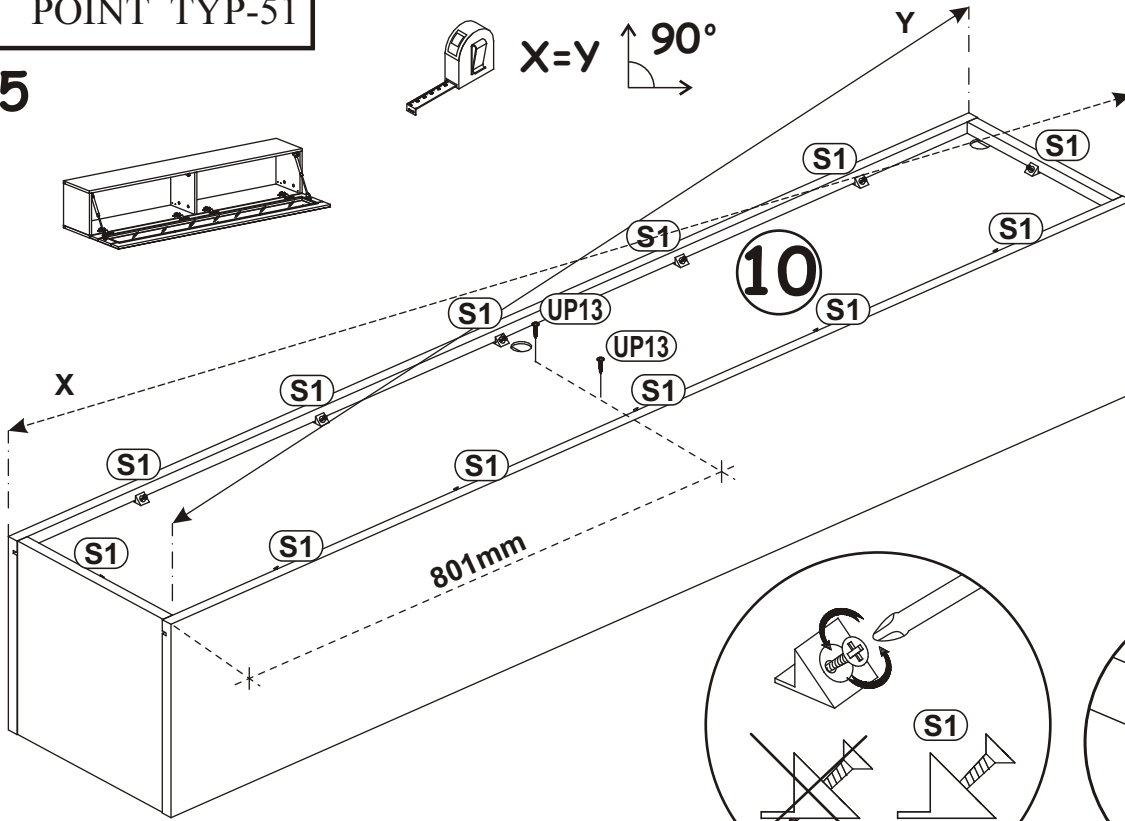
4

1

1

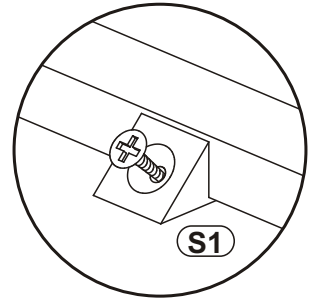
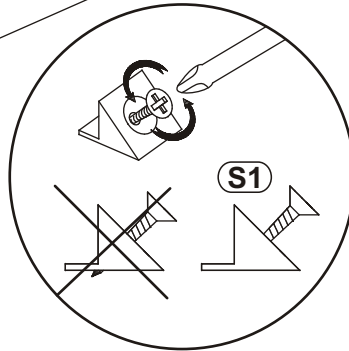
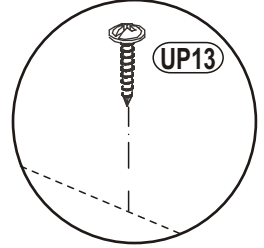
POINT TYP-51

5

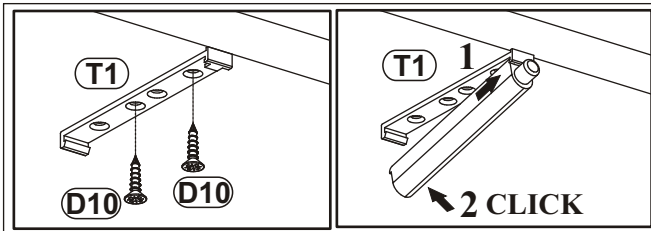


UP13	
x2	UPØ3x16

S1	
x12	



6

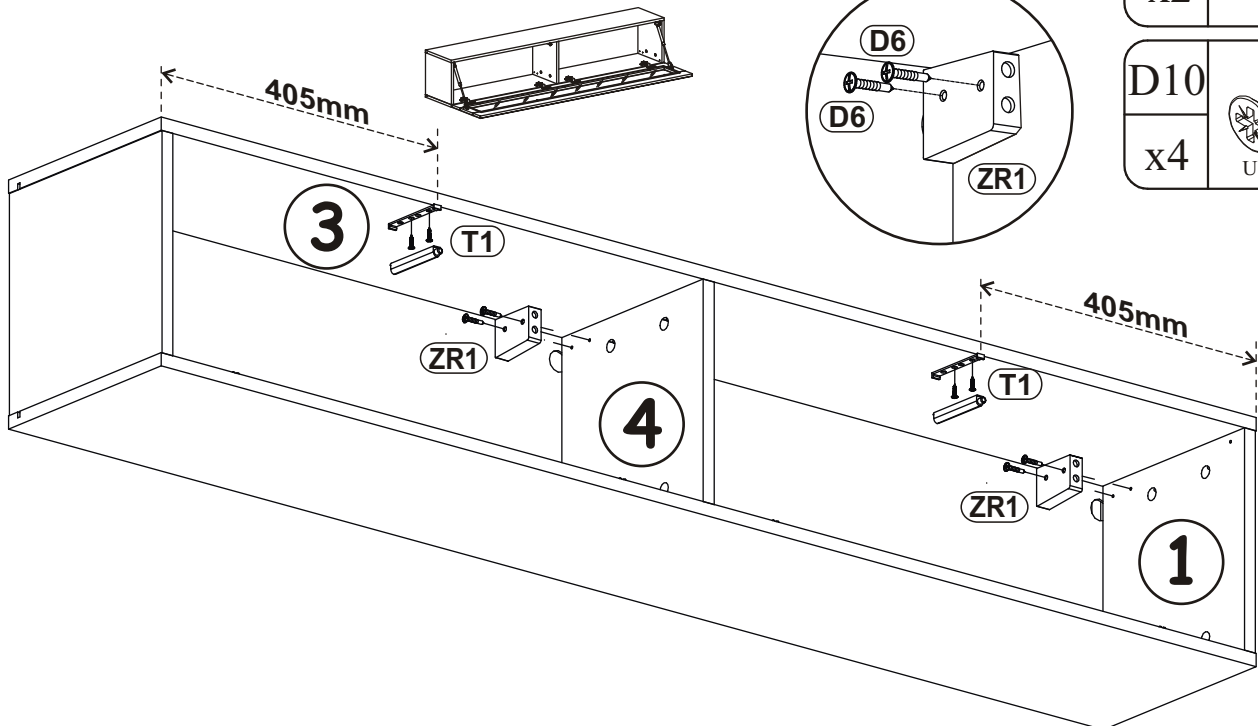
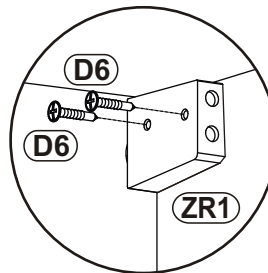


ZR1	
x2	

D6	
x4	USØ3,5x30

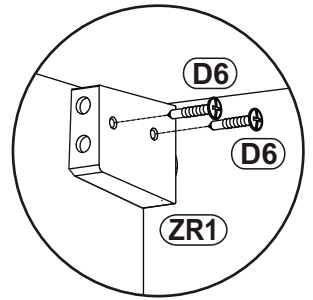
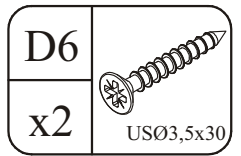
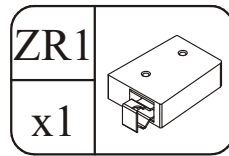
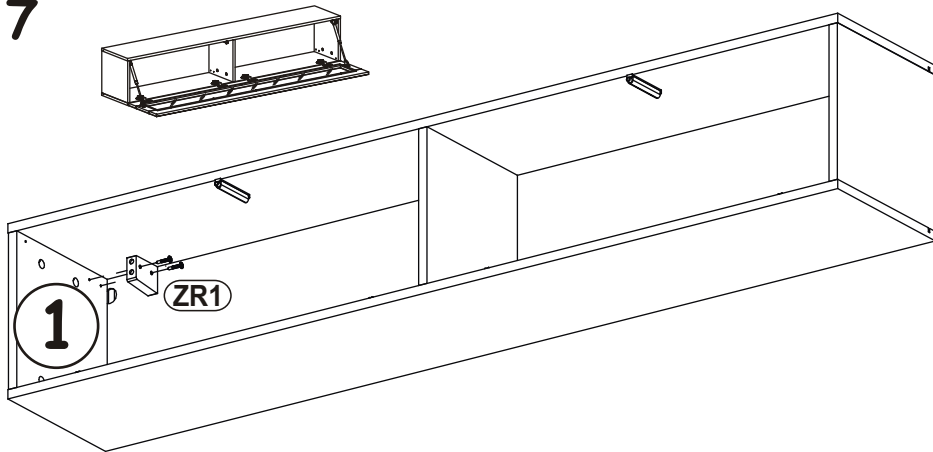
T1	
x2	

D10	
x4	USØ3,5x13

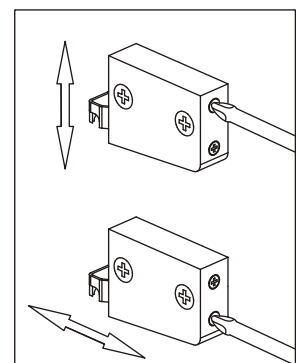
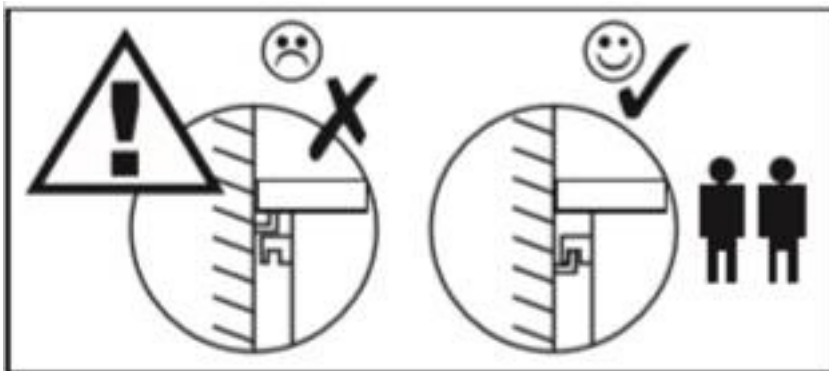
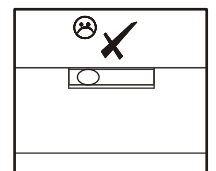
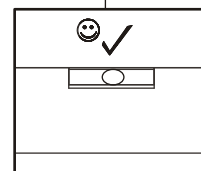
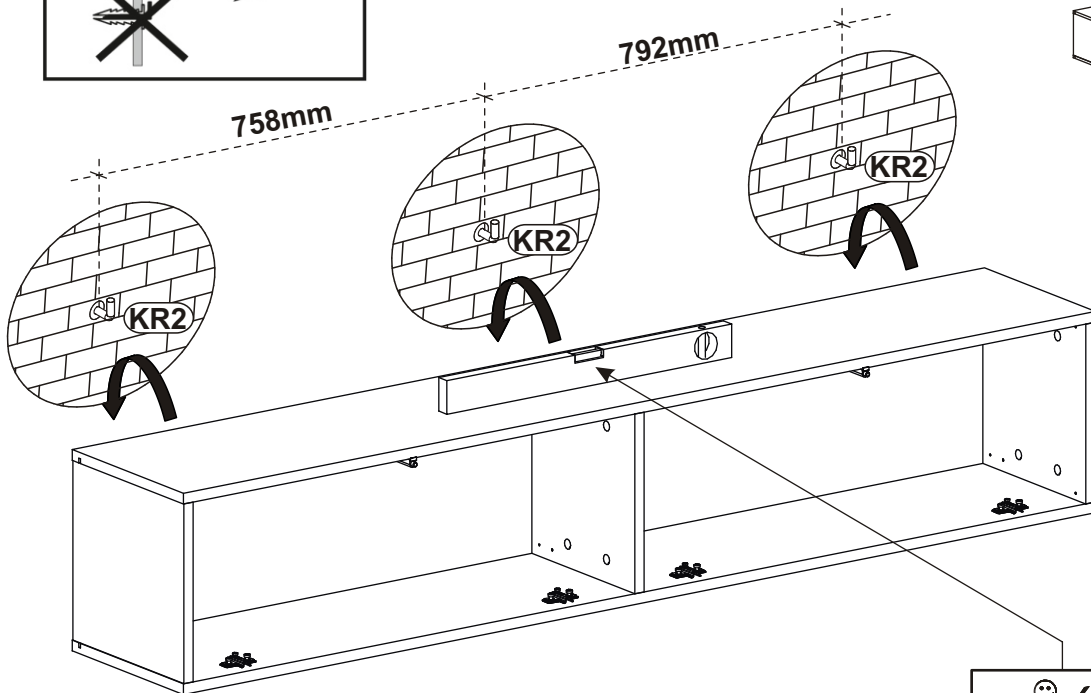
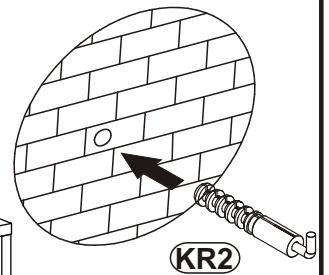
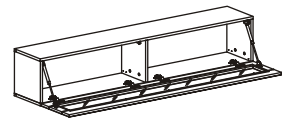
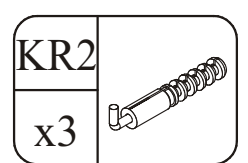
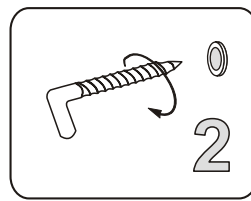
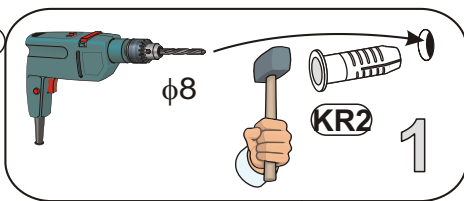
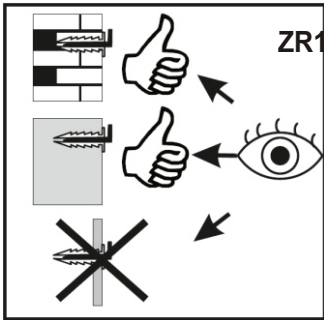


POINT TYP-51

7

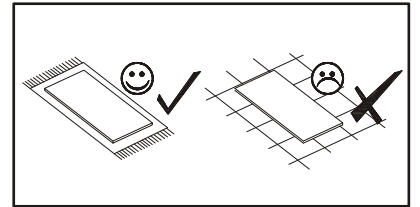
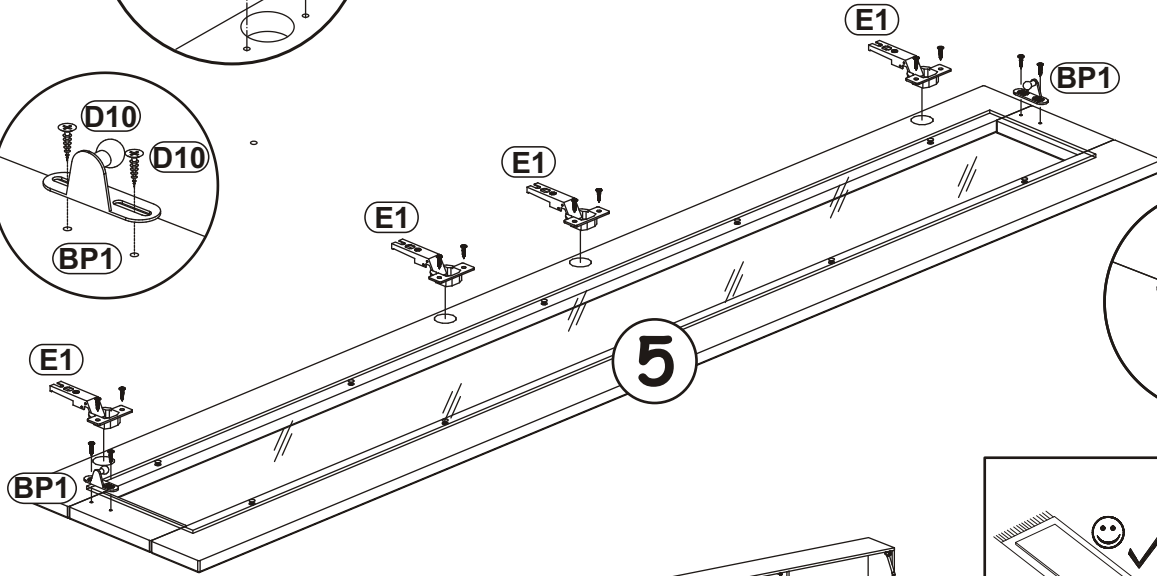
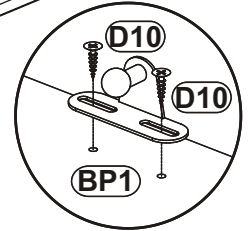
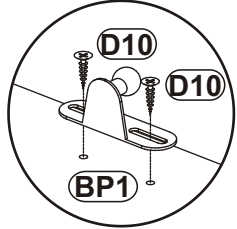
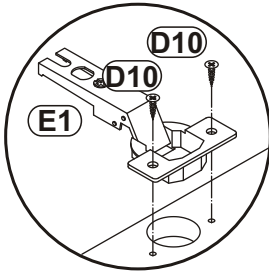
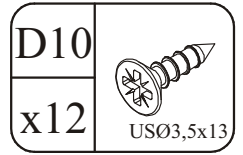
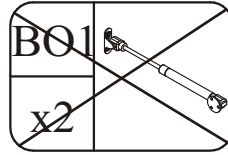
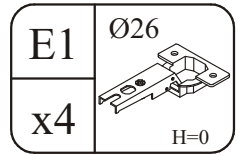
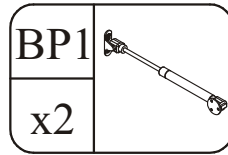
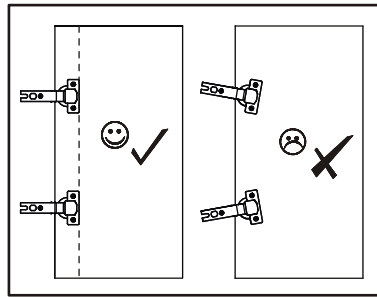


8

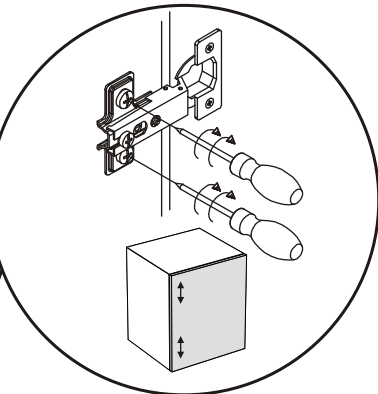
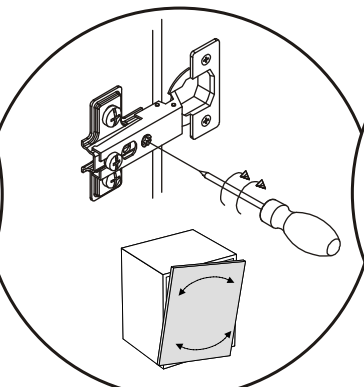
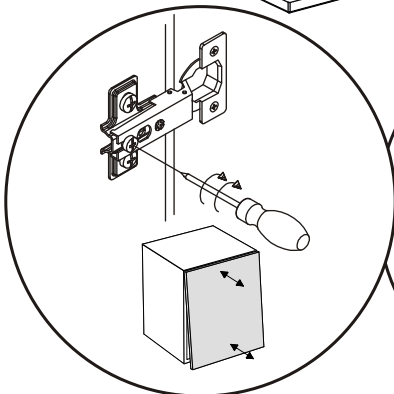
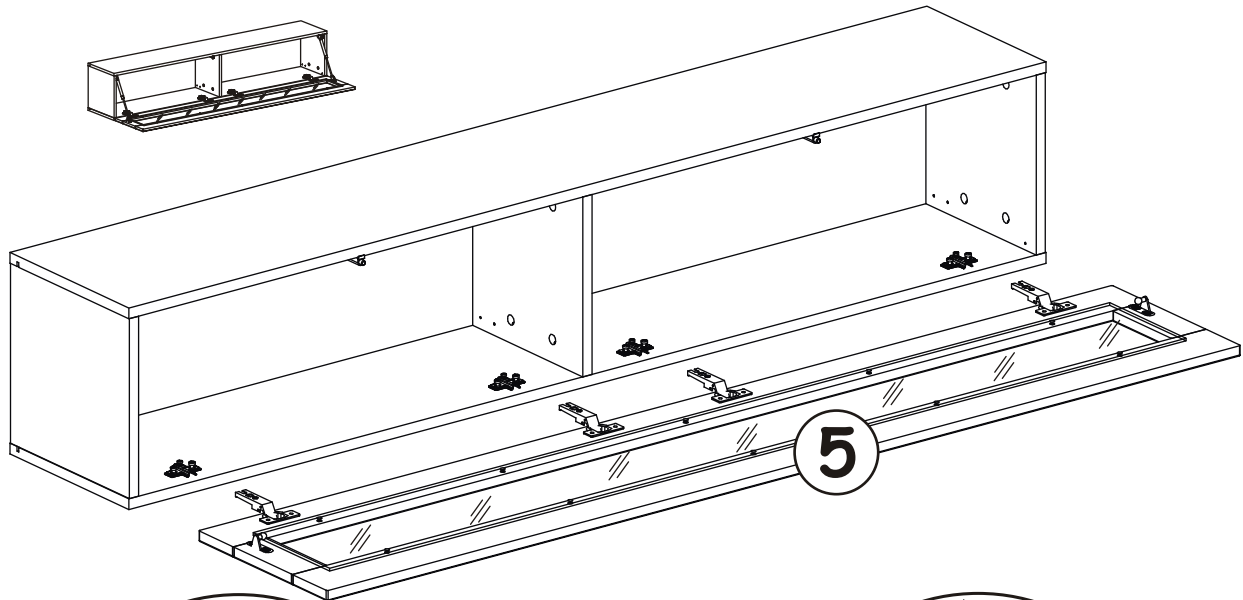


POINT TYP-51

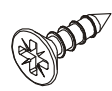
9

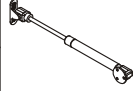


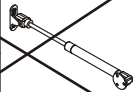
10

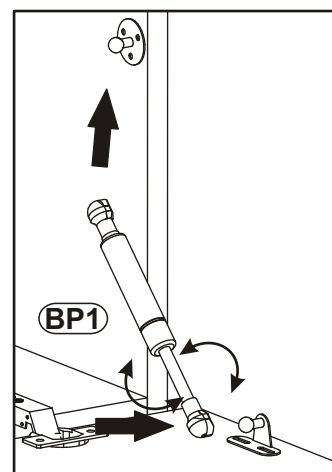
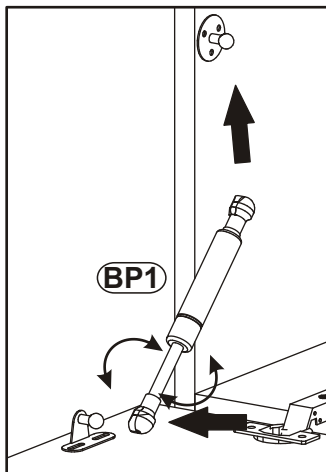
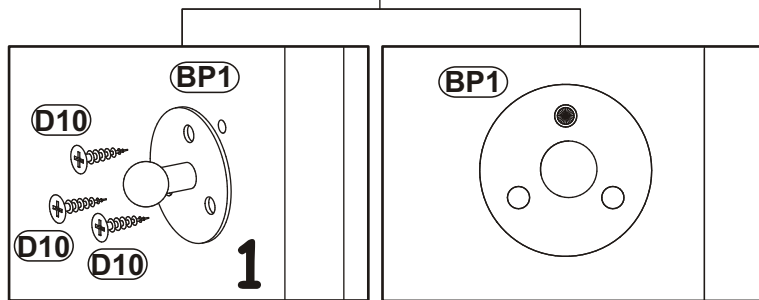
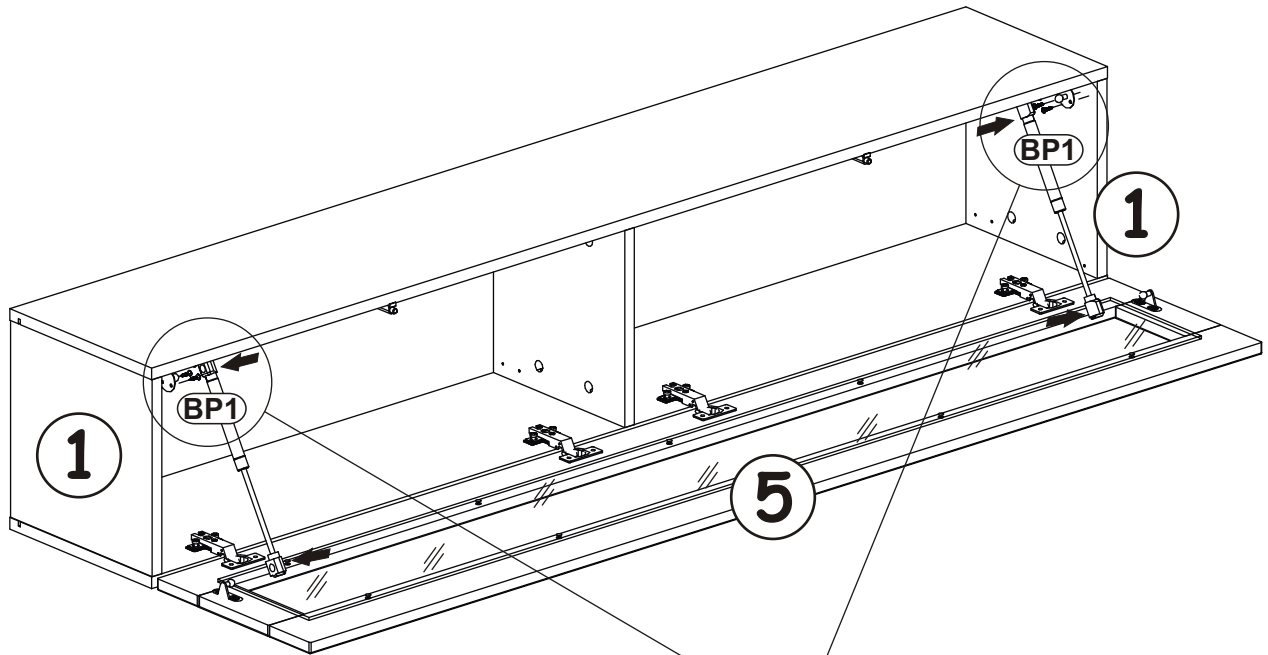
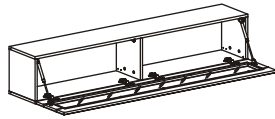


11

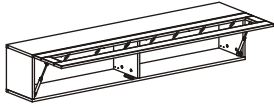
D10	
x6	USØ3,5x13

BP1	
x2	

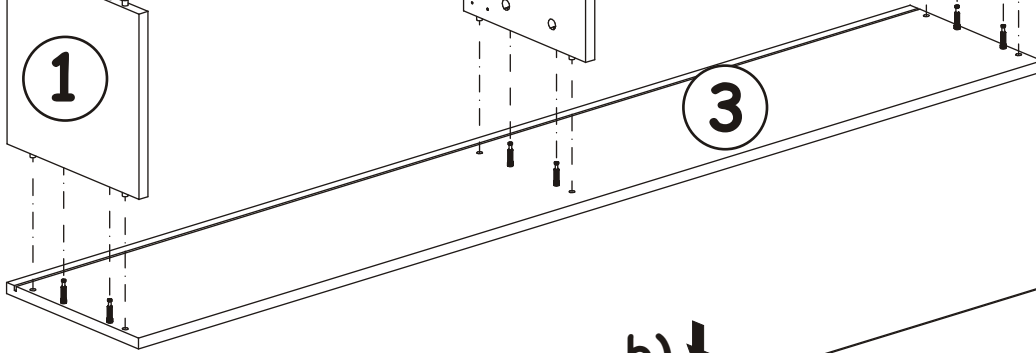
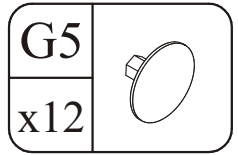
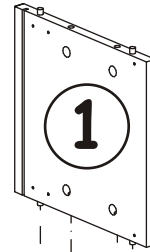
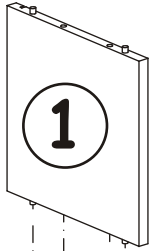
BO1	
x2	



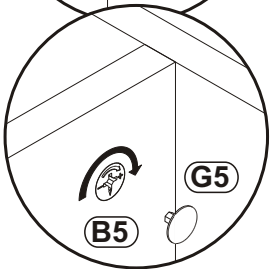
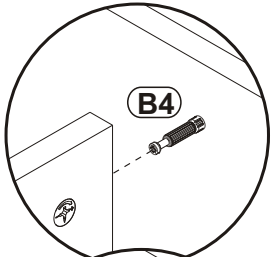
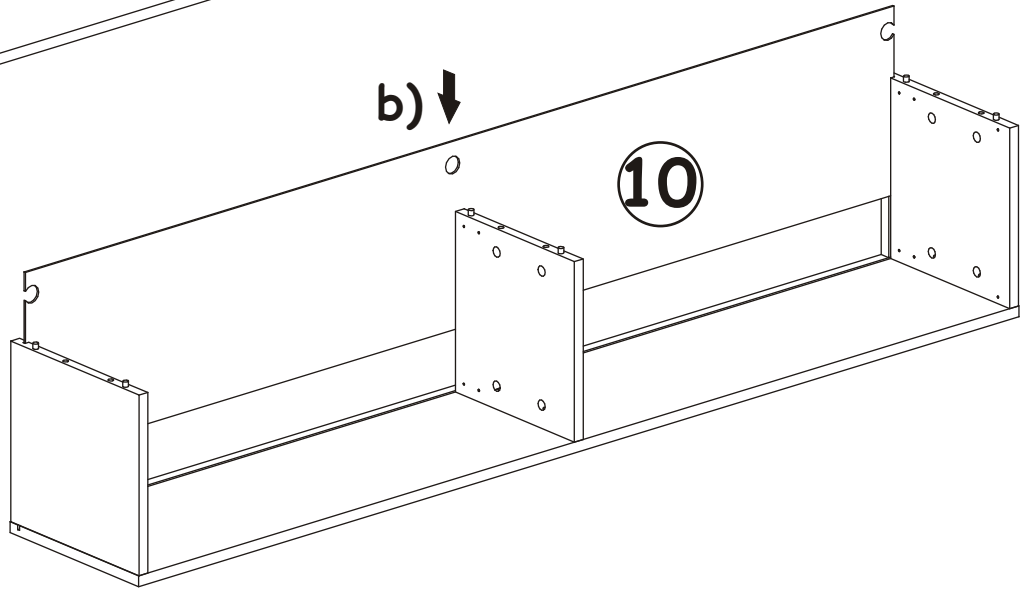
12



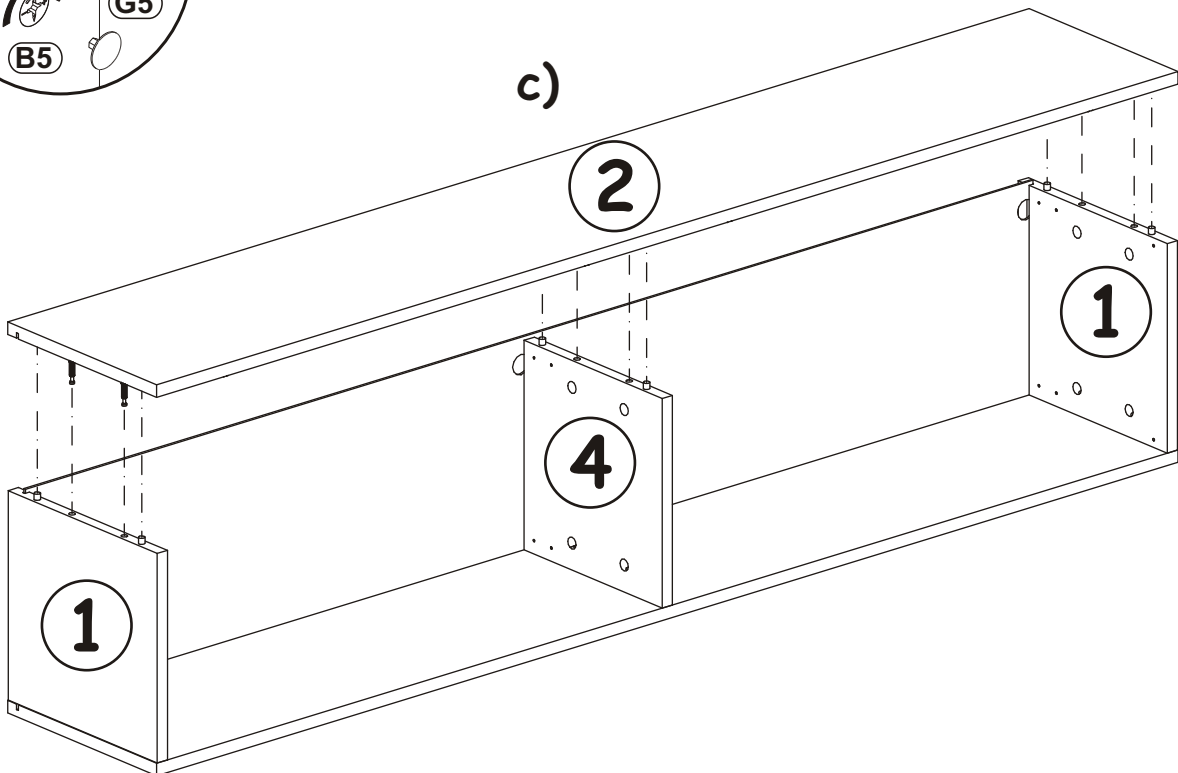
a)



b) ↓

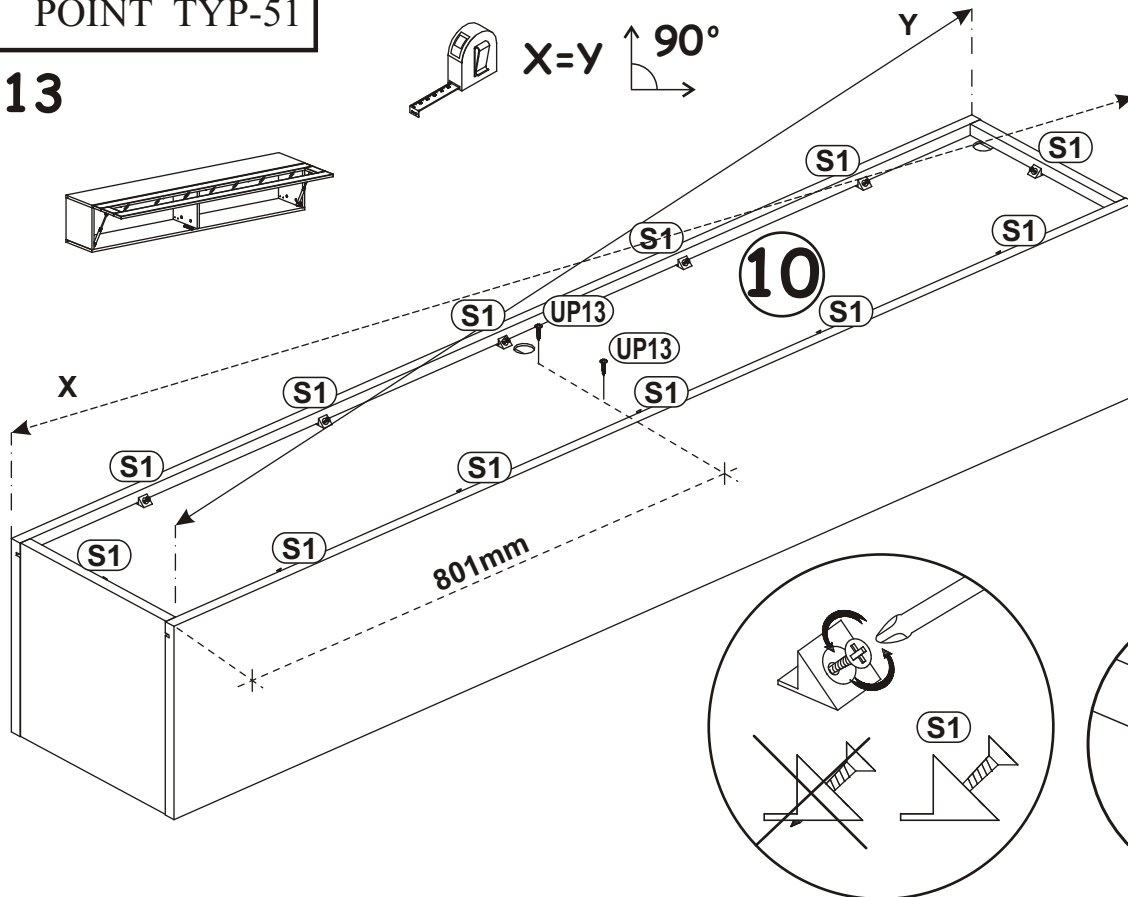


c)



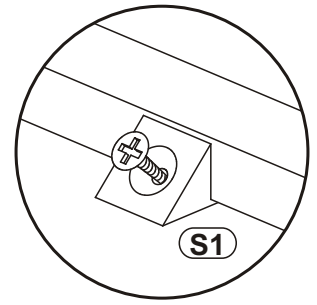
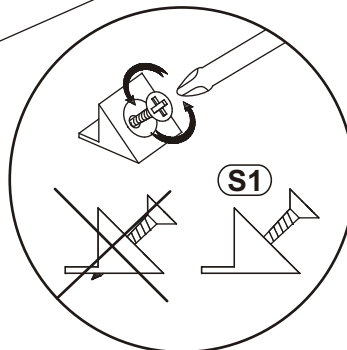
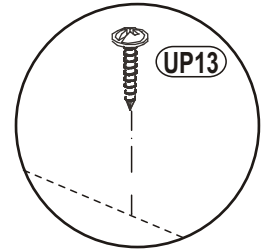
POINT TYP-51

13

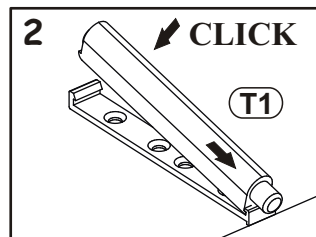
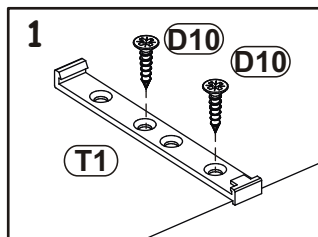


UP13	
x2	UP03x16

S1	
x12	



14

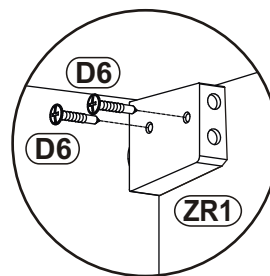
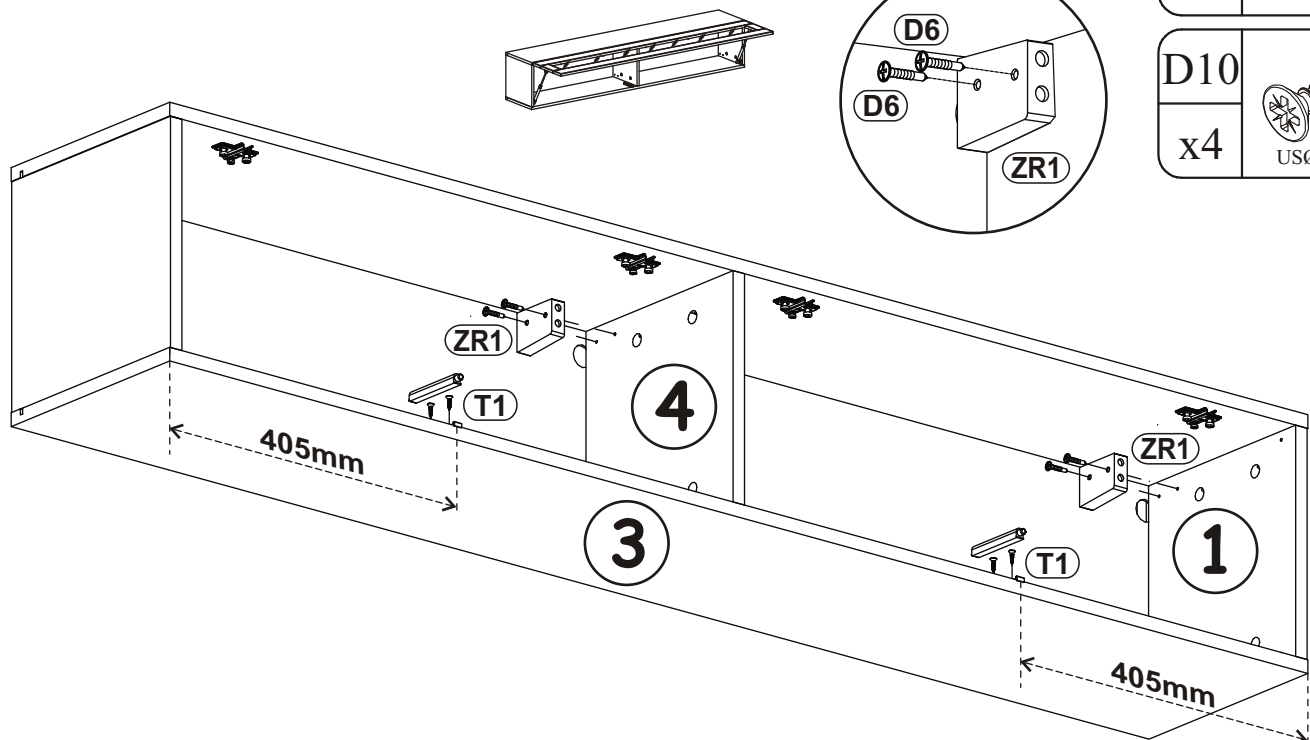


ZR1	
x2	

D6	
x4	US03,5x30

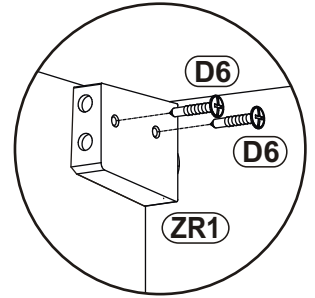
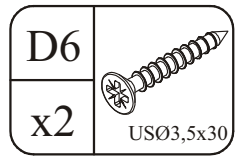
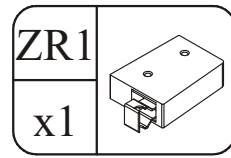
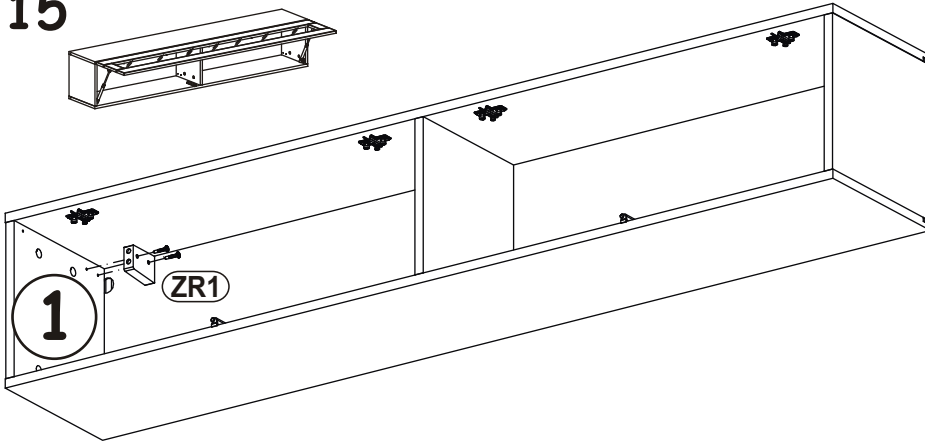
T1	
x2	

D10	
x4	US03,5x13

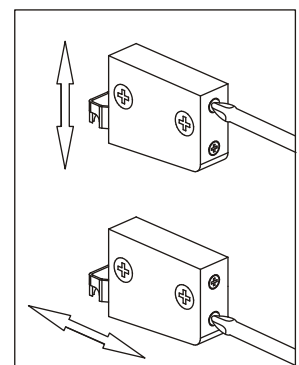
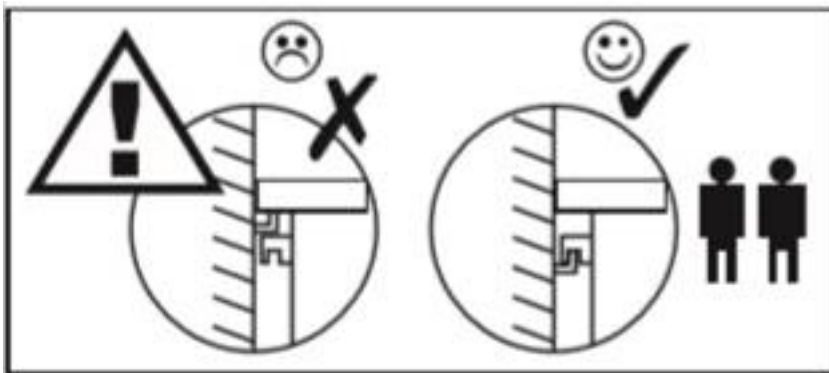
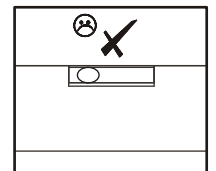
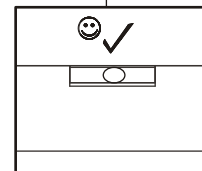
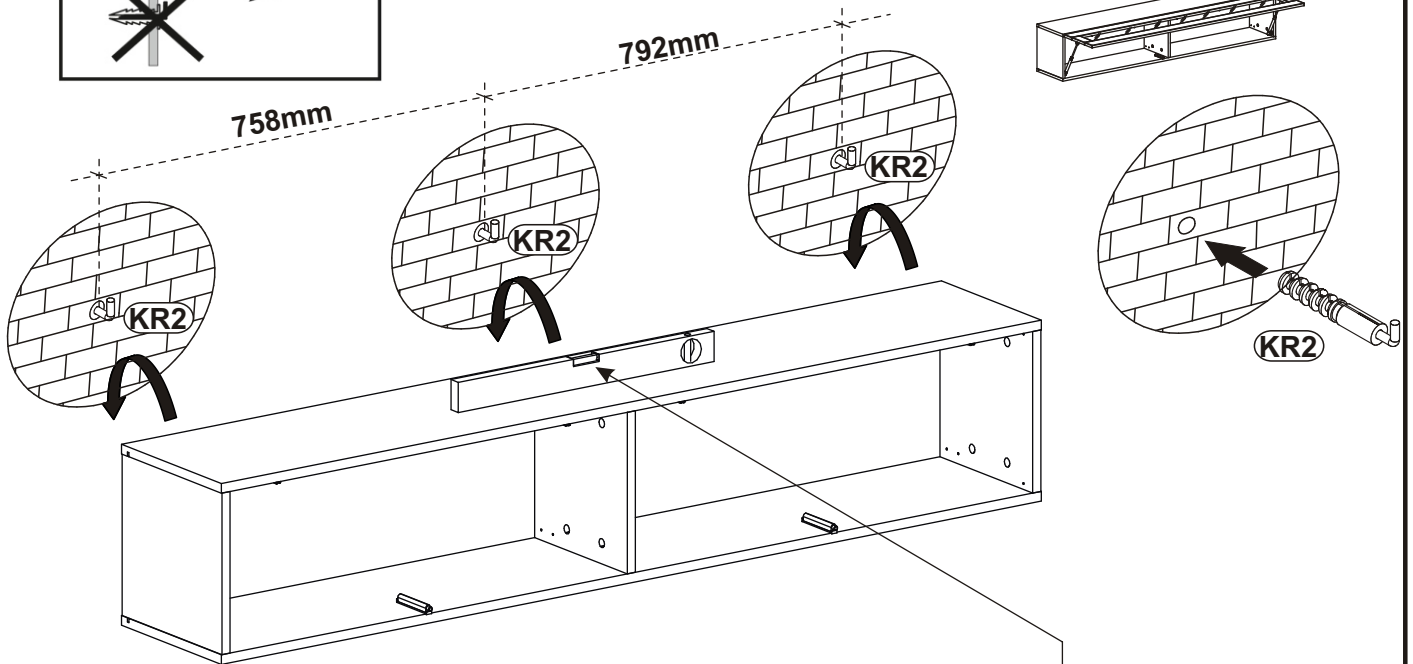
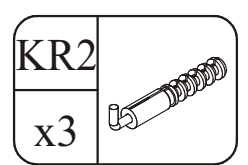
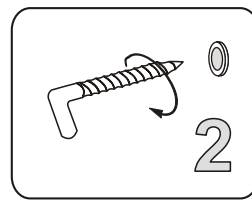
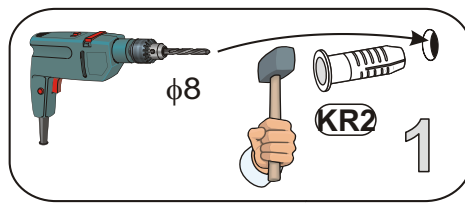
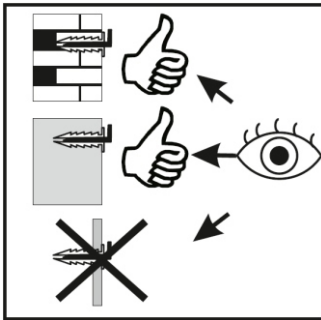


POINT TYP-51

15

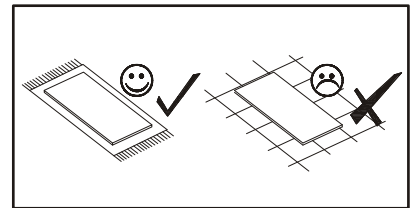
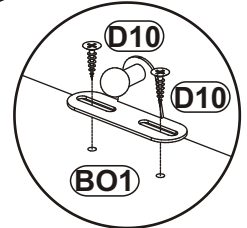
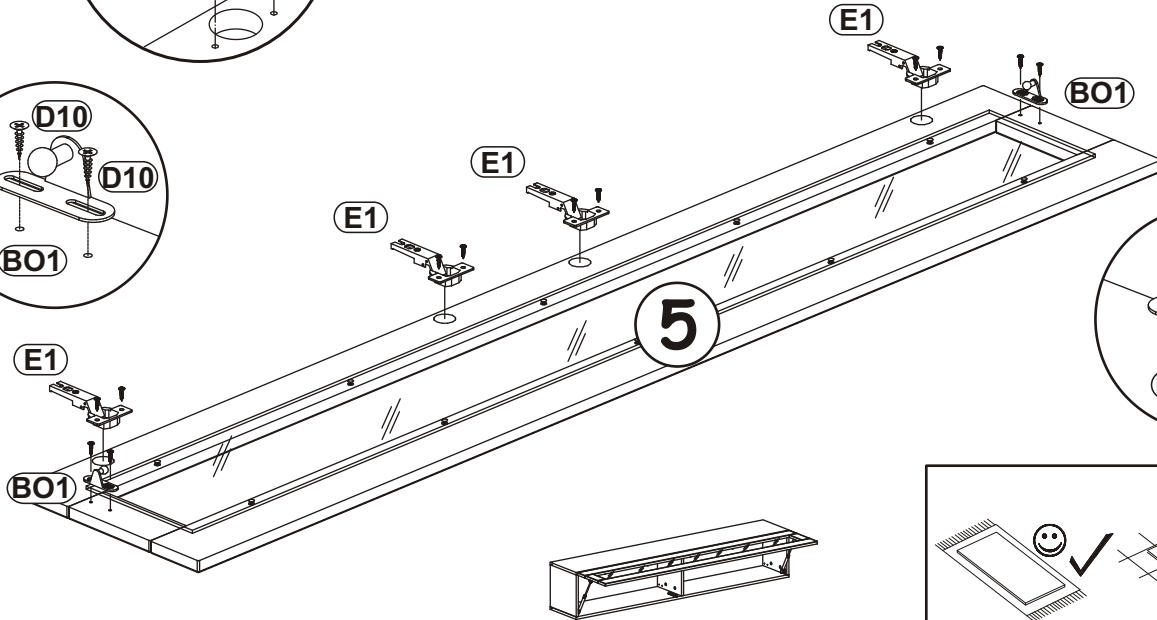
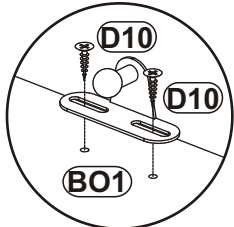
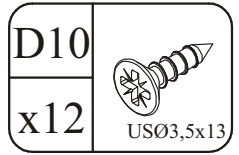
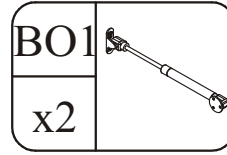
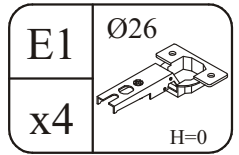
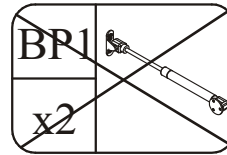
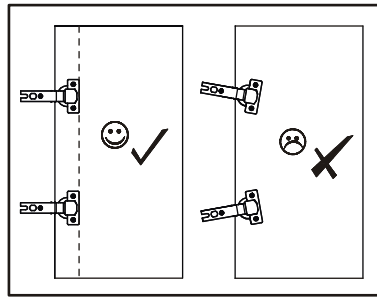
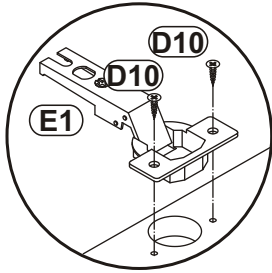


16

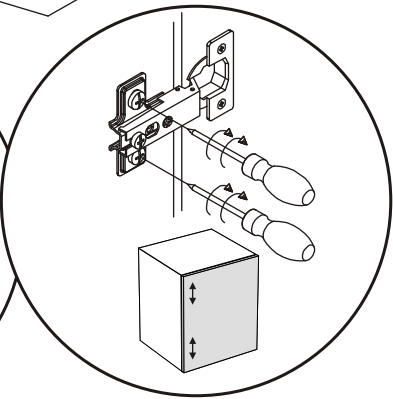
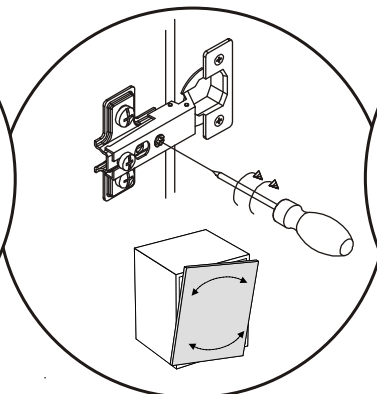
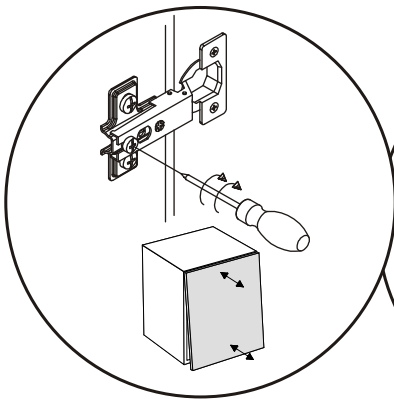
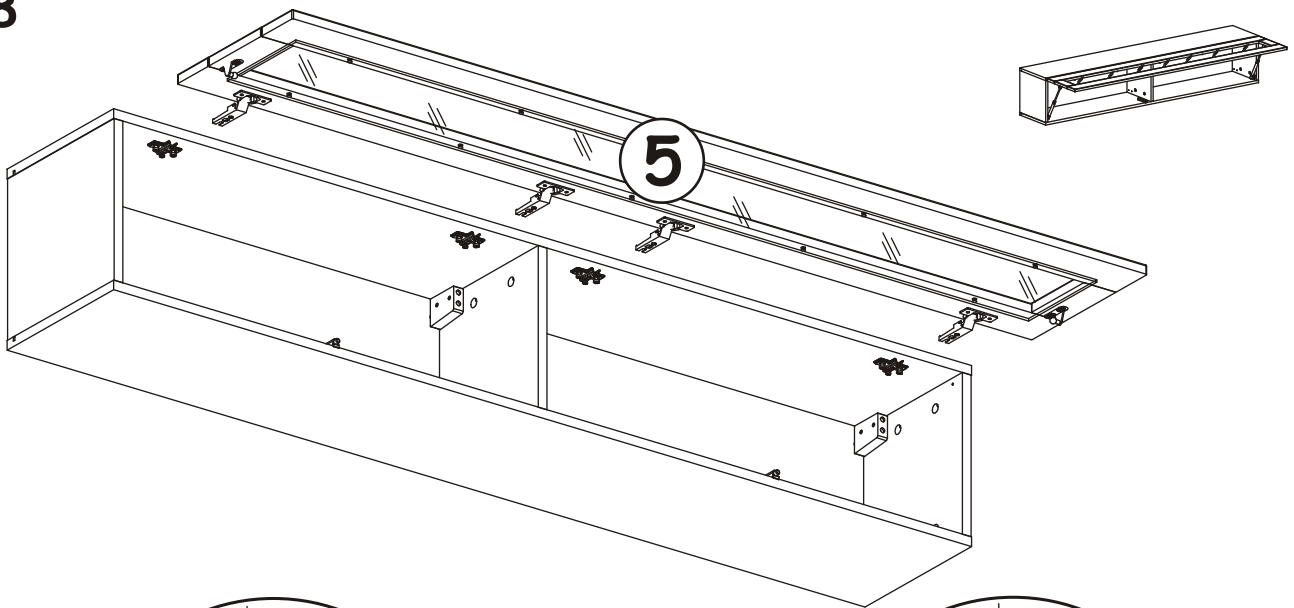


POINT TYP-51

17



18



POINT TYP-51

