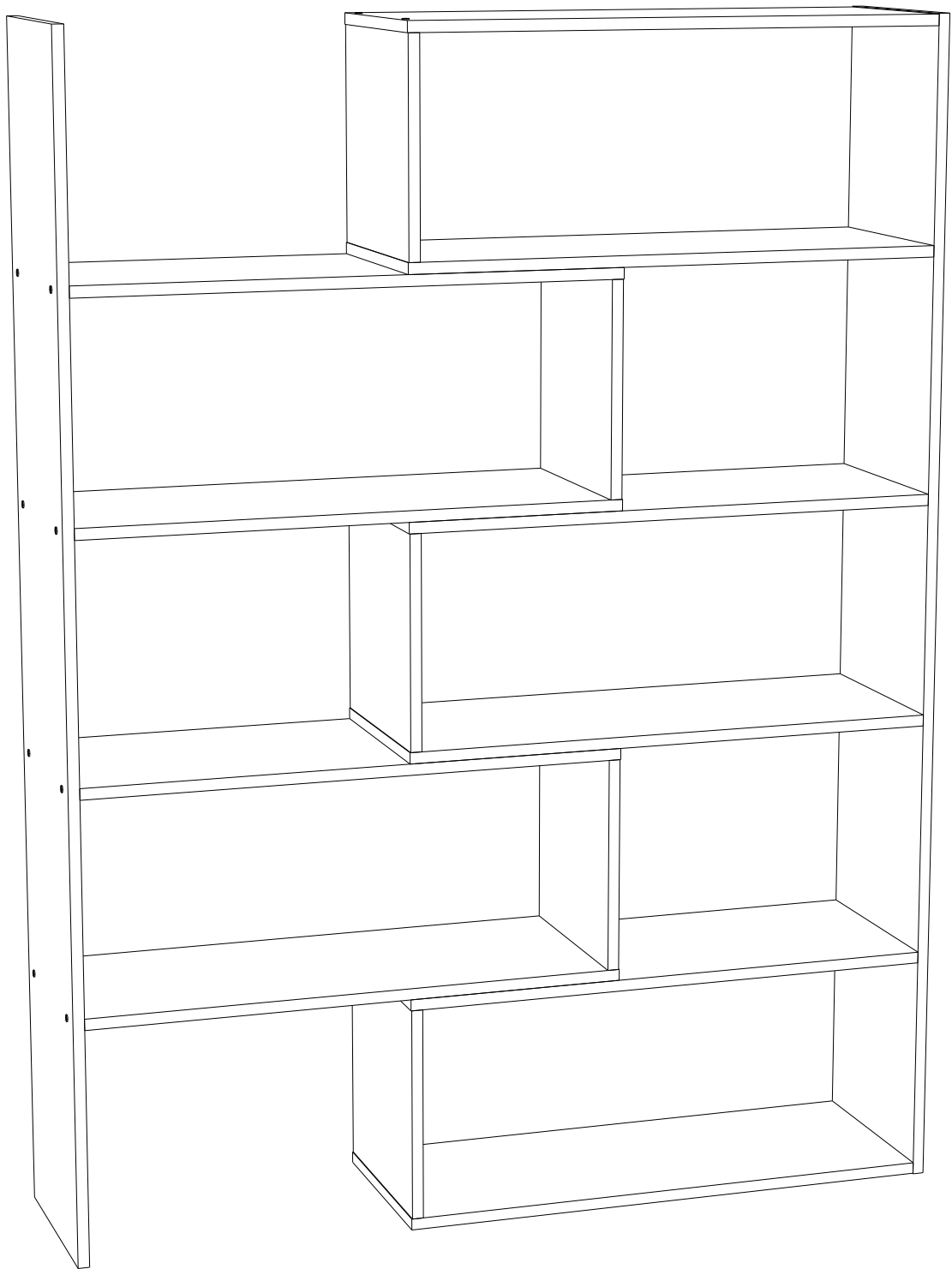
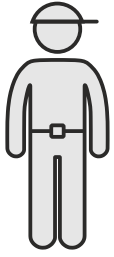
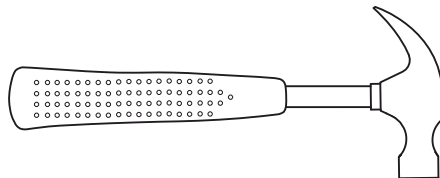
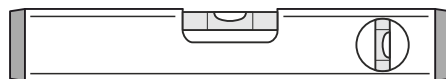
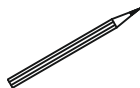
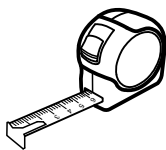
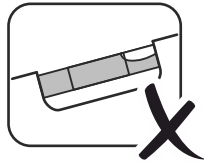
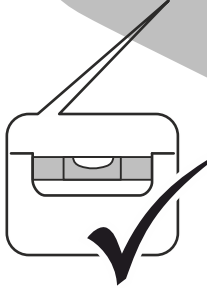
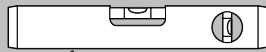
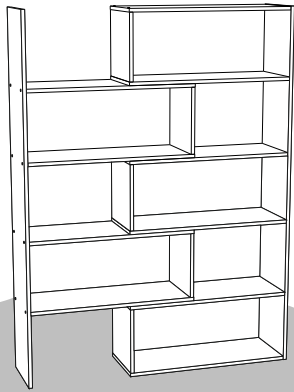
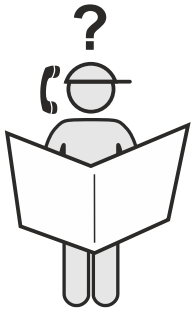
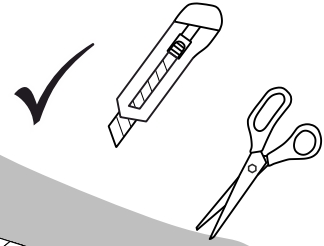


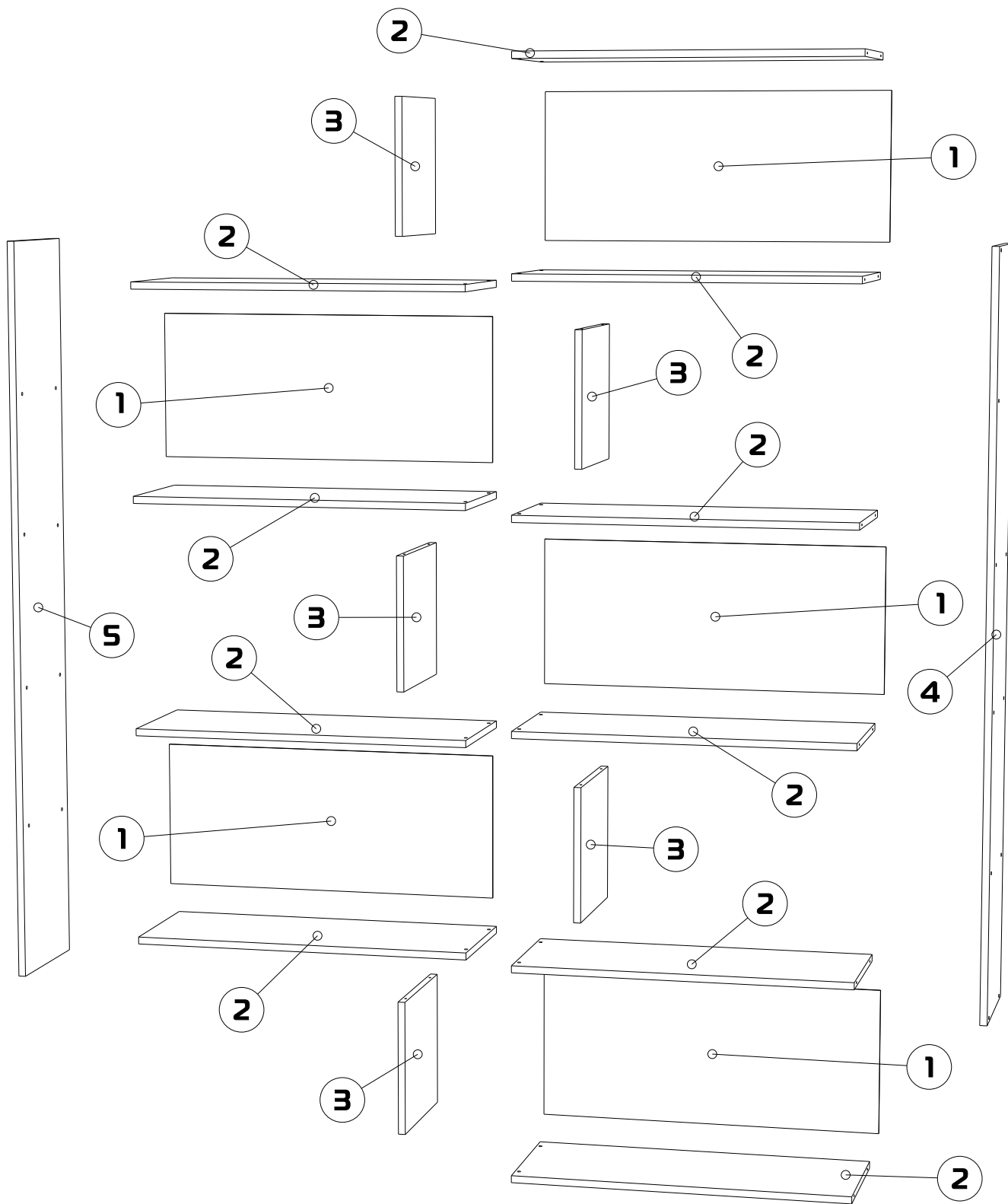
# СТЕЛЛАЖ ОСТИН STELLAZH OSTIN





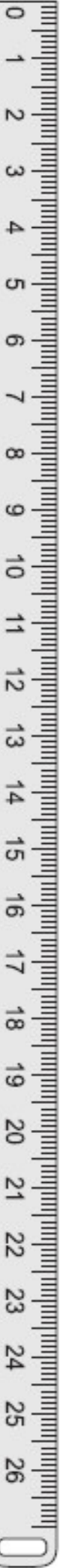
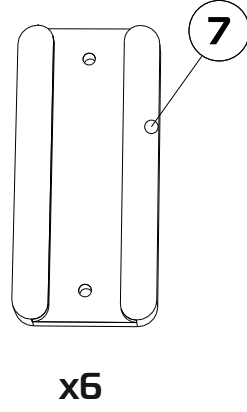
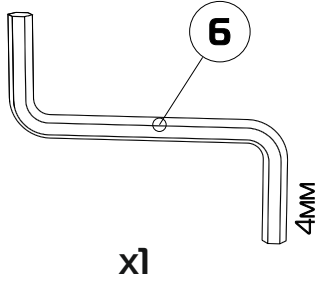
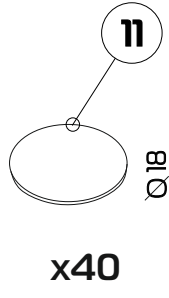
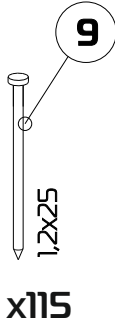
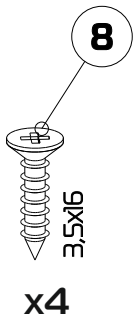
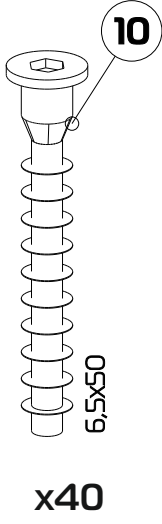
30-45 min



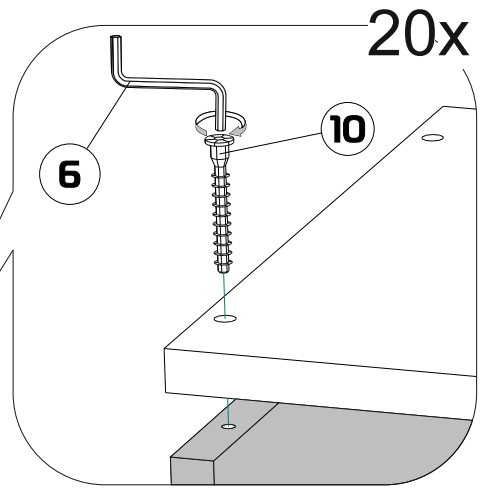
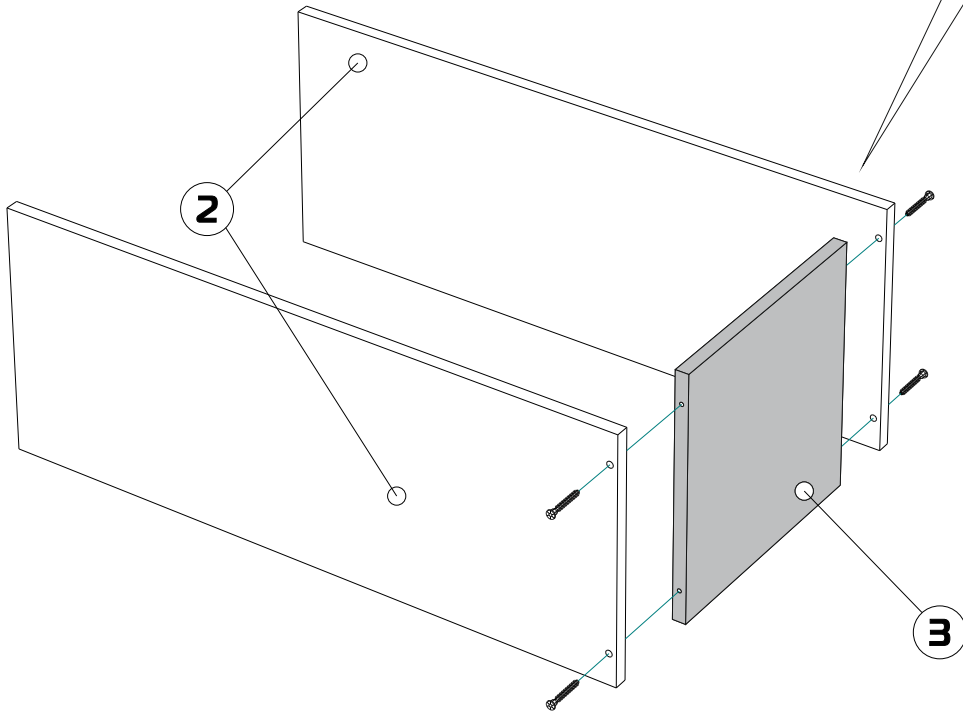


- 1** 332x779x3 (x5)
- 2** 768x300x16 (x10)
- 3** 304x300x16 (x5)

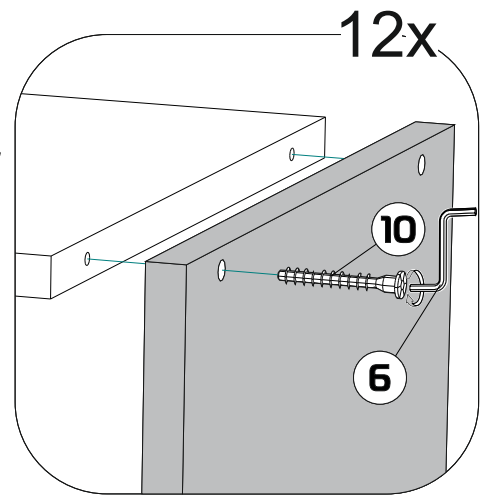
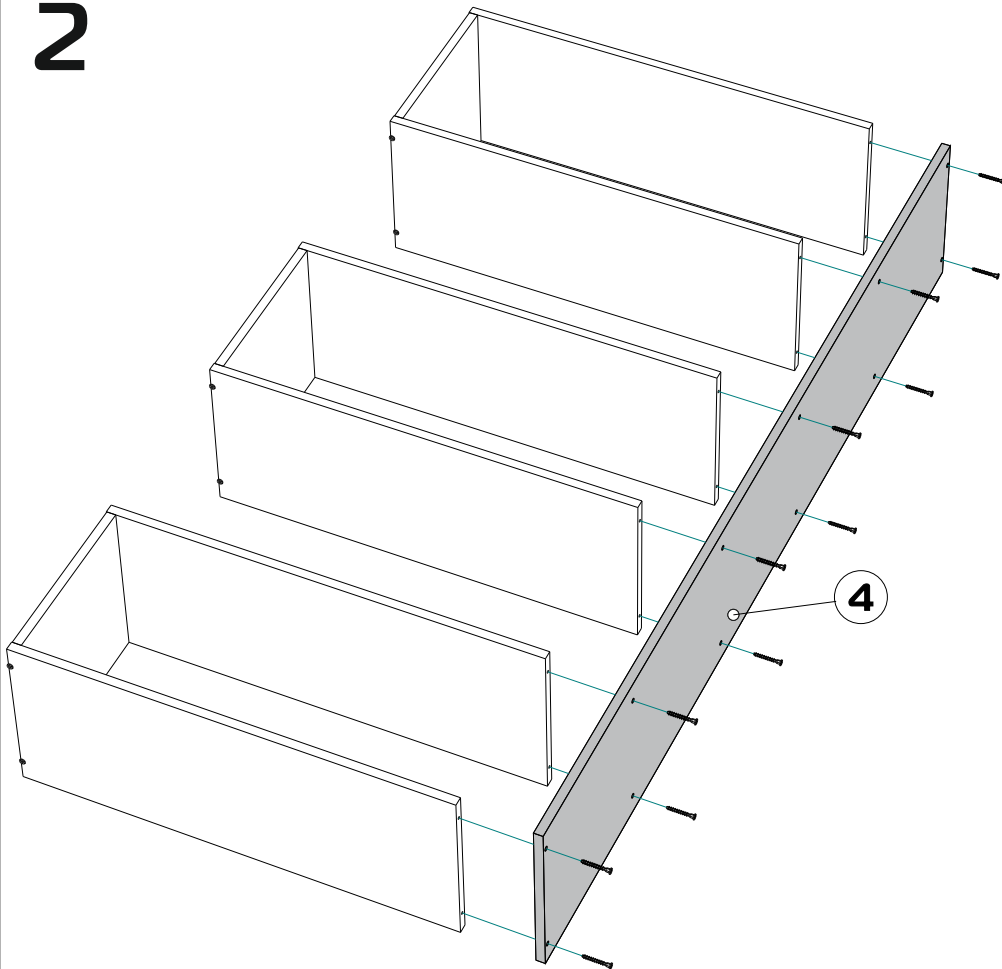
- 4** 1682x300x16 (x1)
- 5** 1682x300x16 (x1)



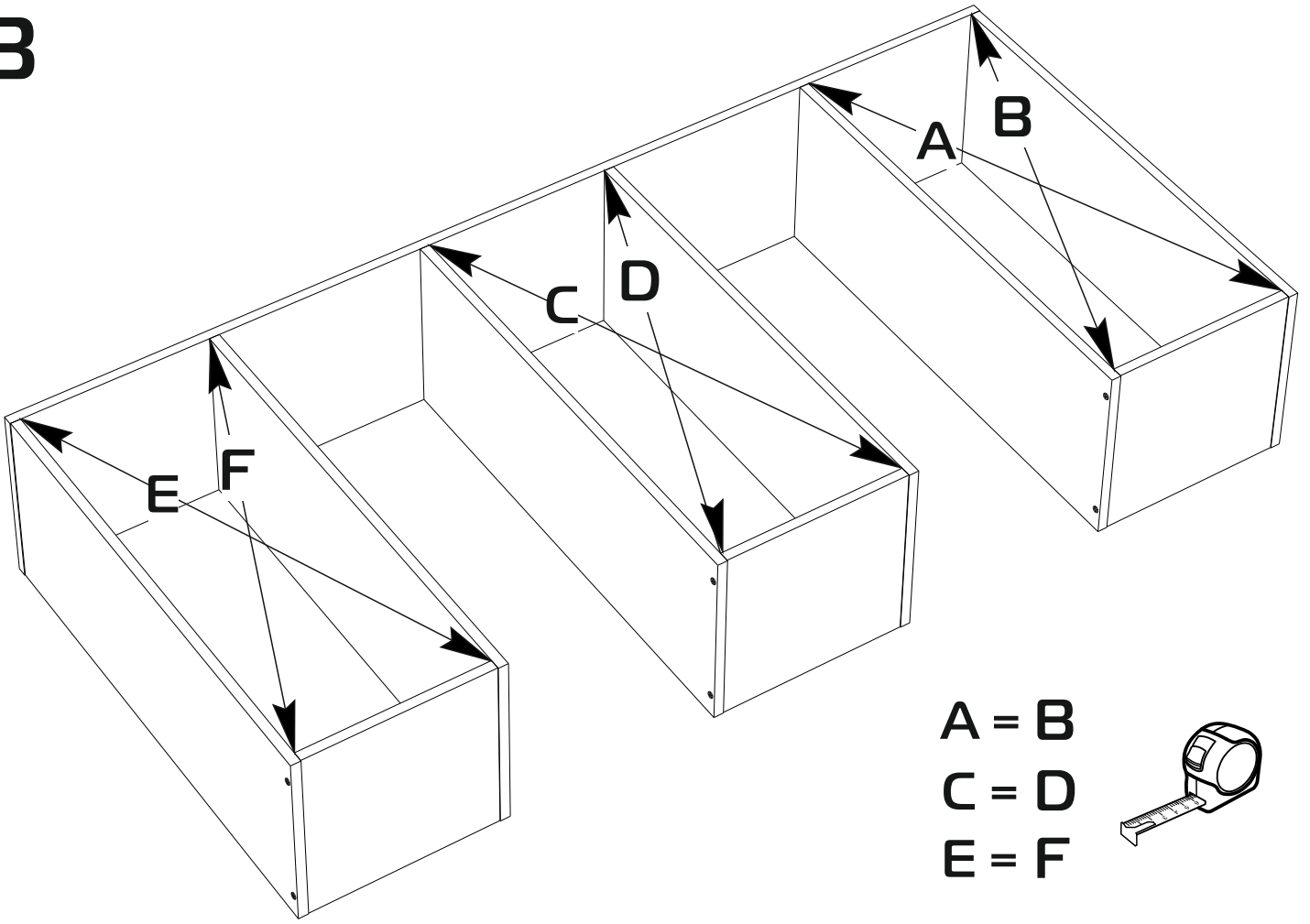
1



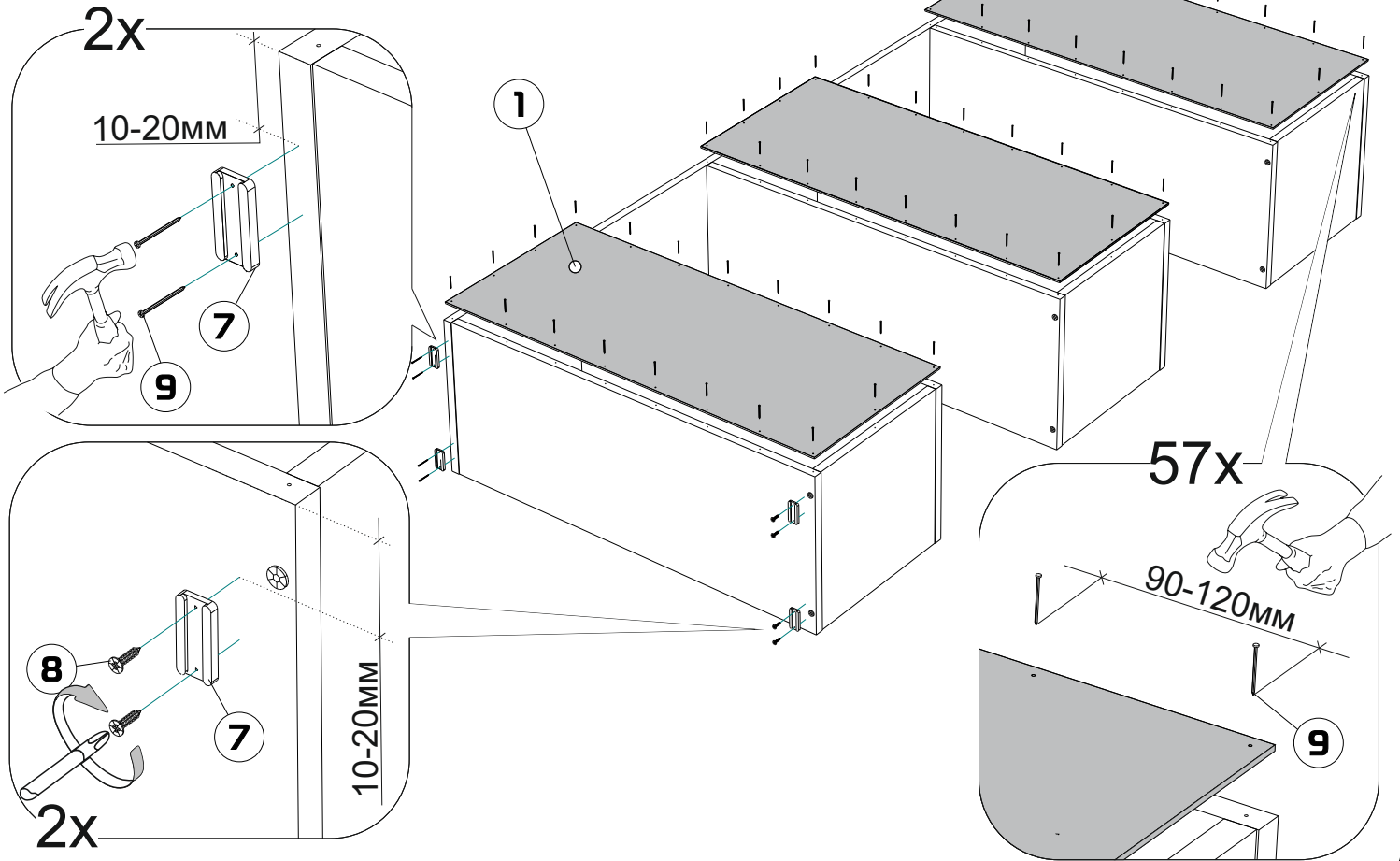
2



3

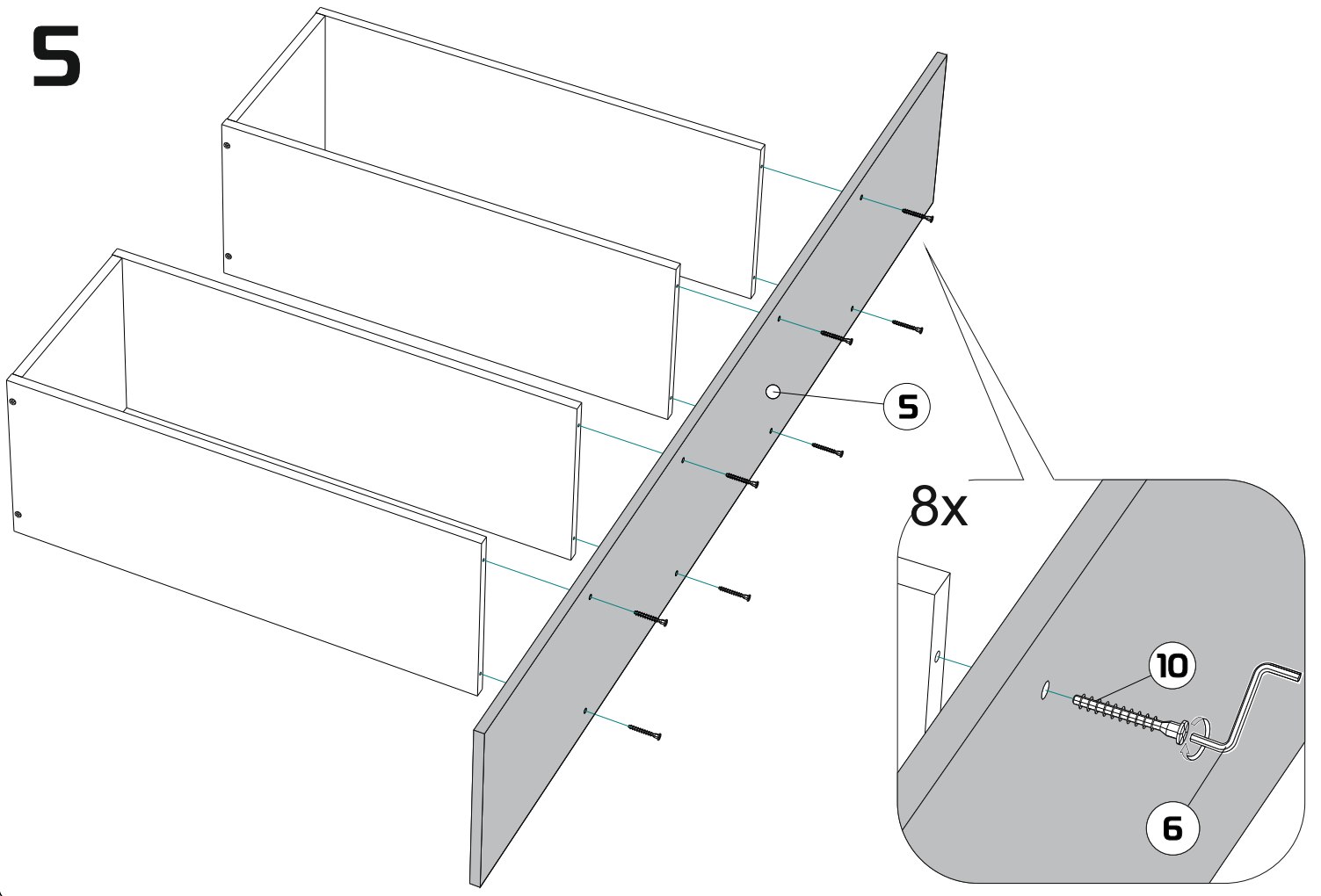


4

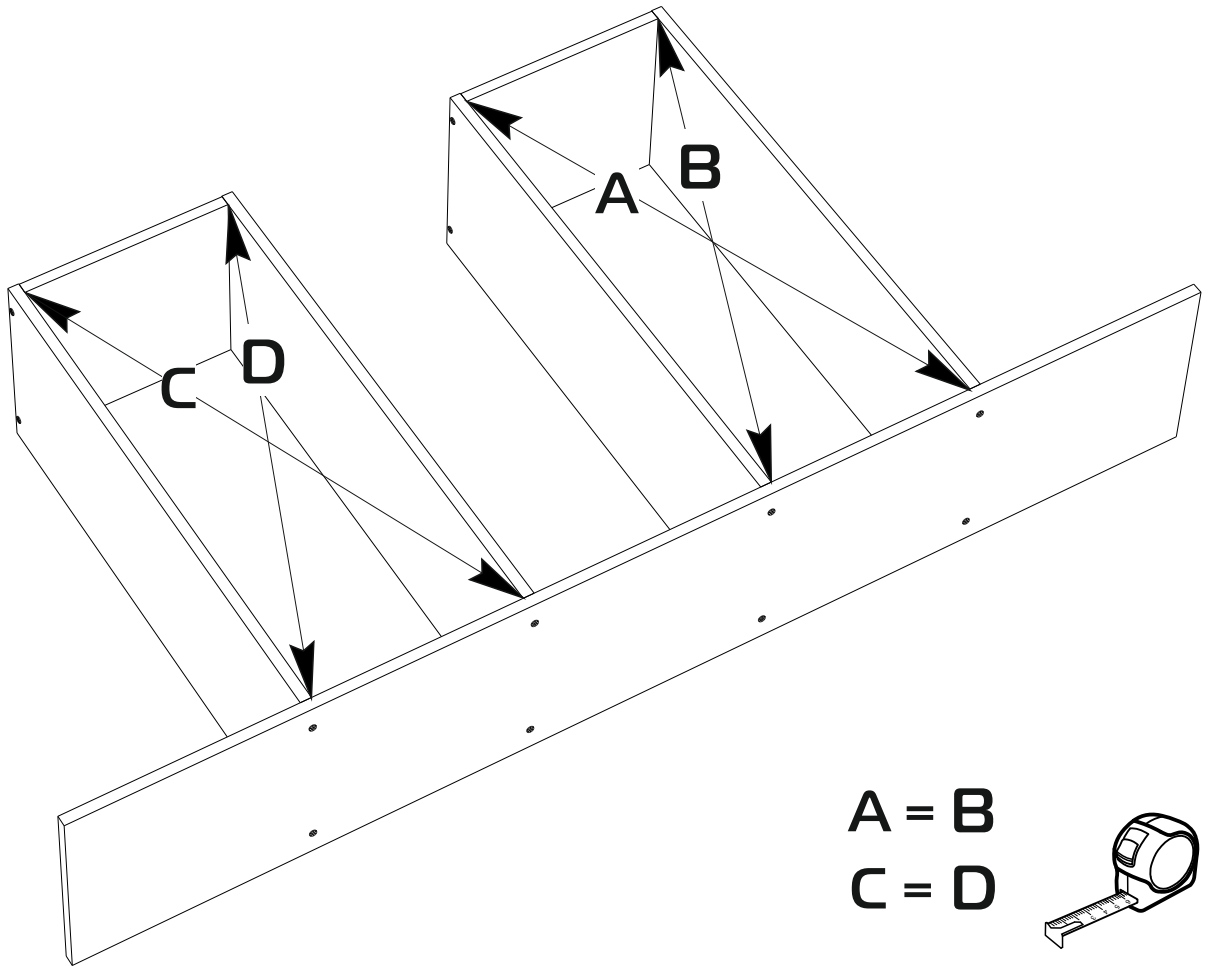


6

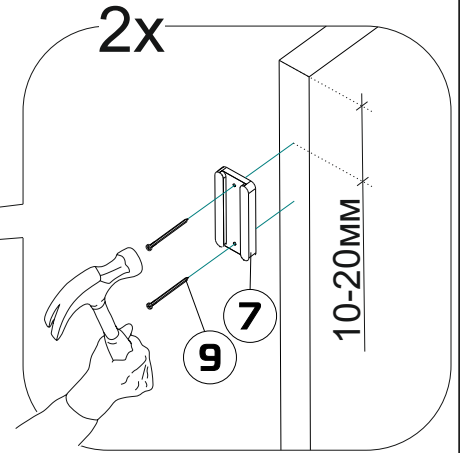
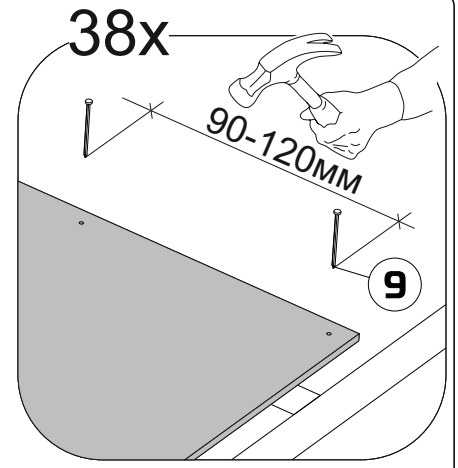
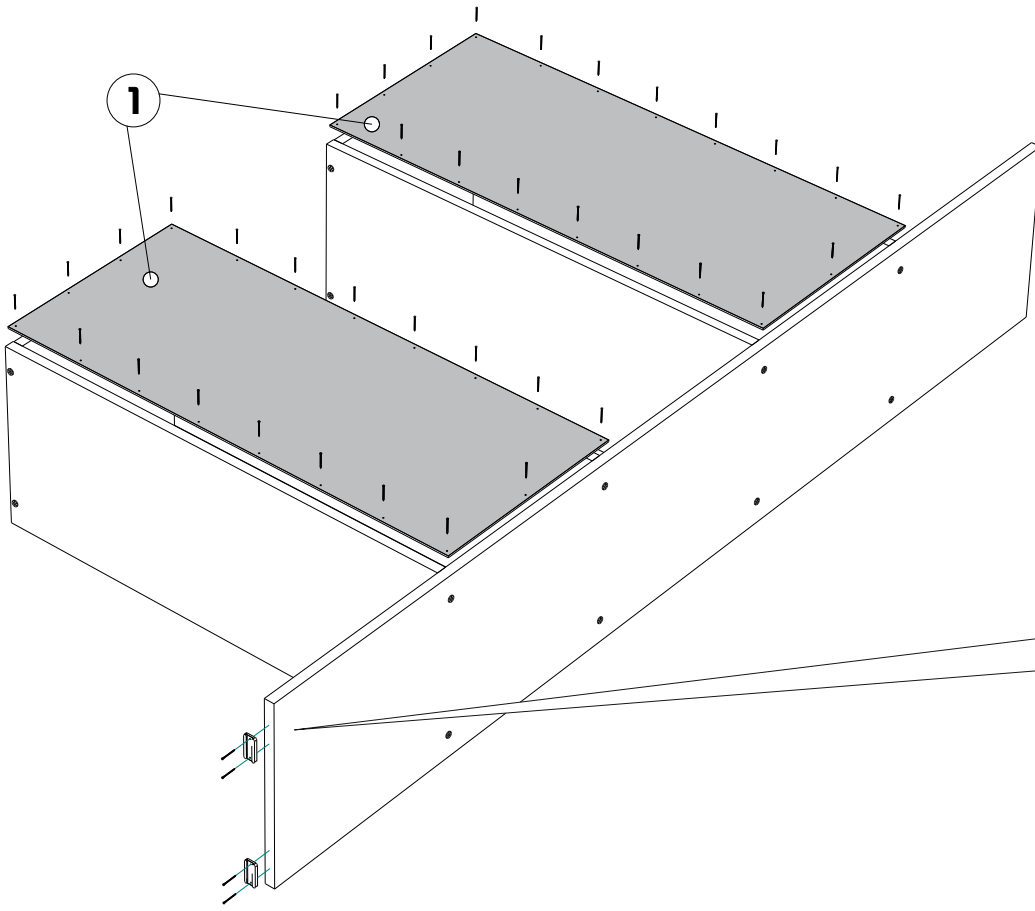
5



6



# 7



# 8

