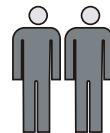
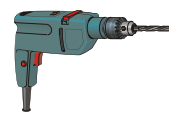
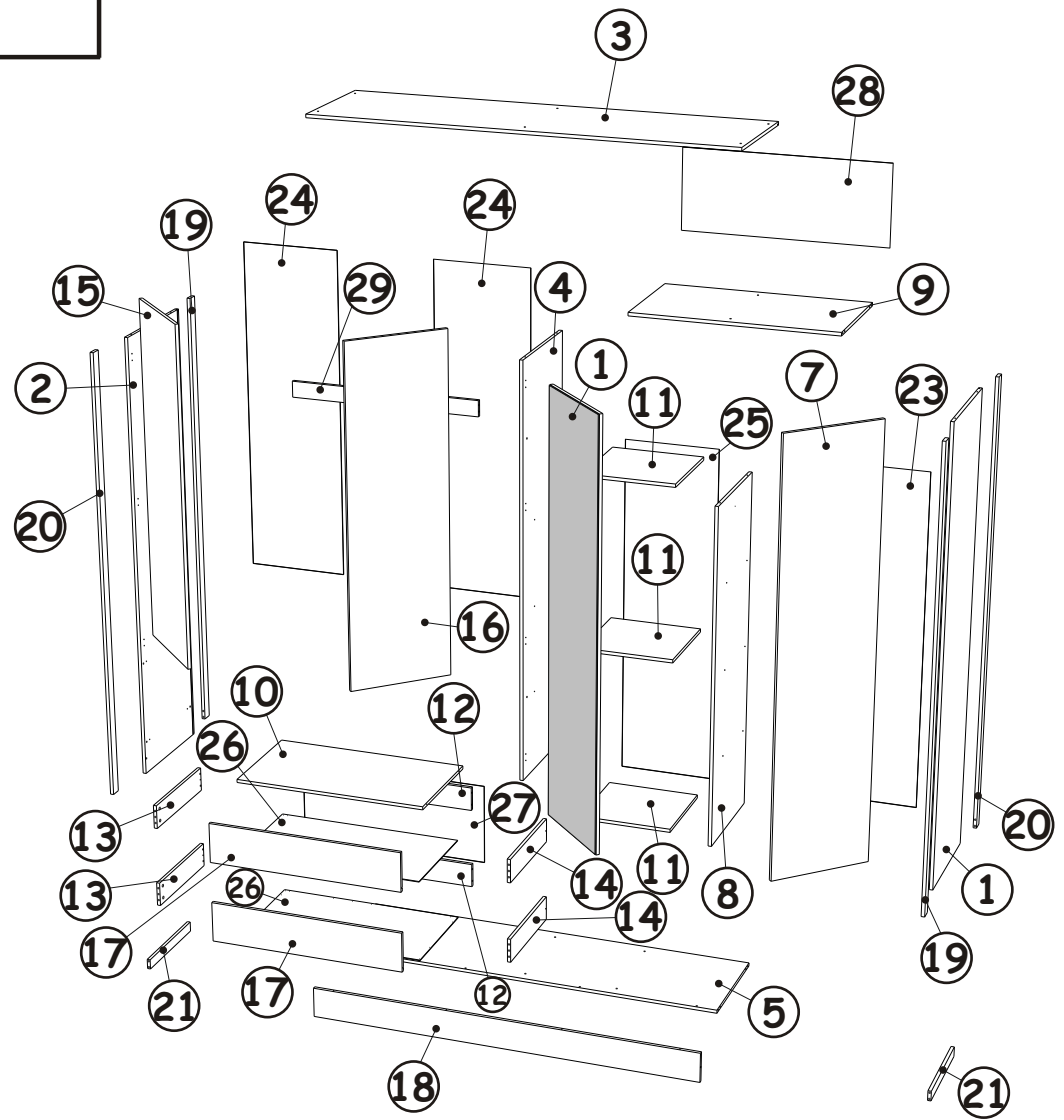
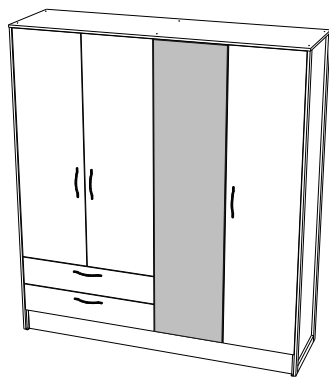


# HUGO Shkaf 4d

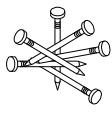
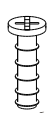
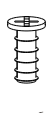
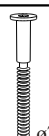



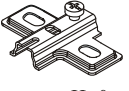
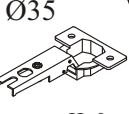

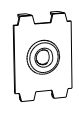
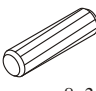

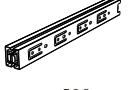
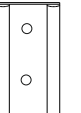
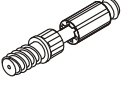

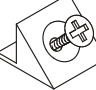
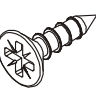
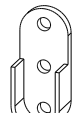
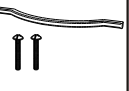
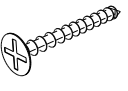
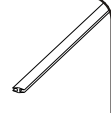
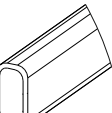
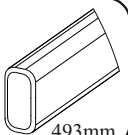


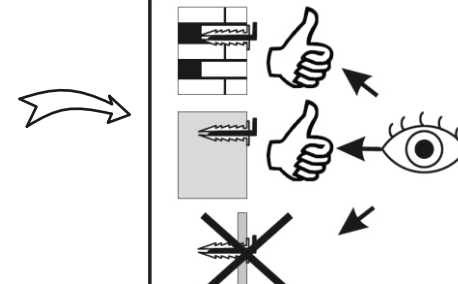
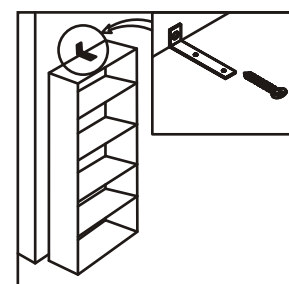
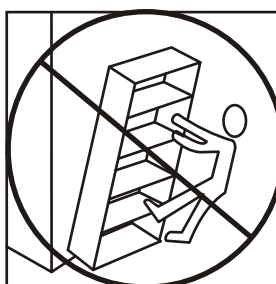
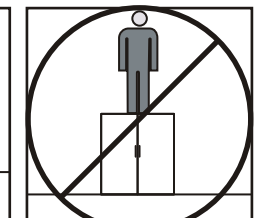
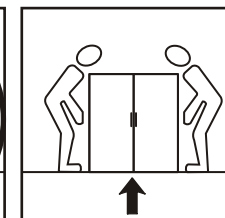
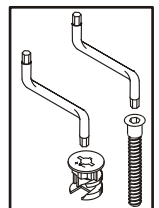
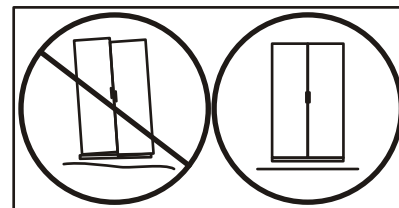
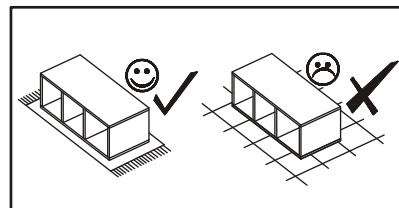
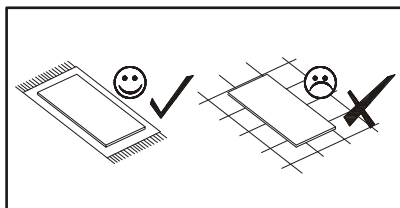
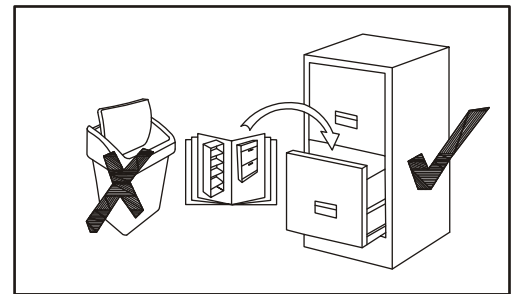
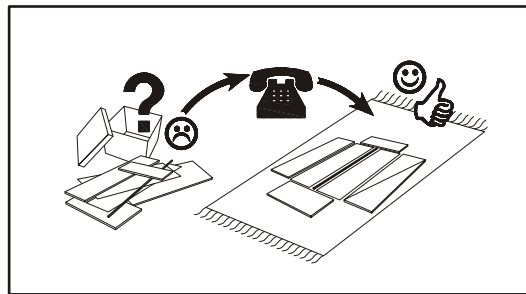
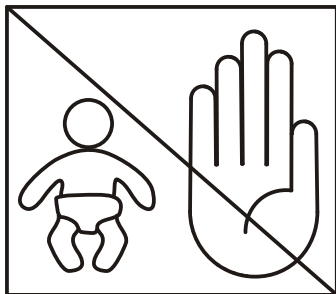
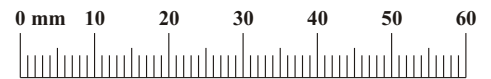
240 min

| NO | Dim. |     | Col.-No | Qty |
|----|------|-----|---------|-----|
| 1  | 2184 | 540 | 2       | 1   |
| 2  | 2184 | 540 | 4       | 1   |
| 3  | 2000 | 562 | 2       | 1   |
| 4  | 2018 | 525 | 4       | 1   |
| 5  | 1930 | 525 | 4       | 1   |
| 6  | 2028 | 486 | 1       | 1   |
| 7  | 2028 | 486 | 1       | 1   |
| 8  | 1633 | 525 | 2       | 1   |
| 9  | 927  | 525 | 3       | 1   |
| 10 | 927  | 525 | 3       | 1   |
| 11 | 439  | 425 | 3       | 3   |
| 12 | 899  | 120 | 3       | 2   |
| 13 | 500  | 120 | 2       | 2   |
| 14 | 500  | 120 | 2       | 2   |

| NO | Dim. |     | Col.-No | Qty |
|----|------|-----|---------|-----|
| 15 | 1616 | 486 | 3       | 1   |
| 16 | 1616 | 486 | 3       | 1   |
| 17 | 976  | 202 | 2       | 2   |
| 18 | 1930 | 150 | 2       | 1   |
| 19 | 2184 | 50  | 2       | 2   |
| 20 | 2184 | 50  | 2       | 2   |
| 21 | 460  | 50  | 2       | 2   |
| 23 | 1655 | 514 | 3       | 1   |
| 24 | 1627 | 484 | 1       | 2   |
| 25 | 1655 | 457 | 1       | 1   |
| 26 | 930  | 506 | 2       | 2   |
| 27 | 971  | 411 | 1       | 1   |
| 28 | 971  | 383 | 1       | 1   |
| 29 | 957  | 80  | 3       | 1   |

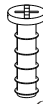
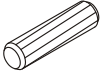
# HUGO Shkaf 4d

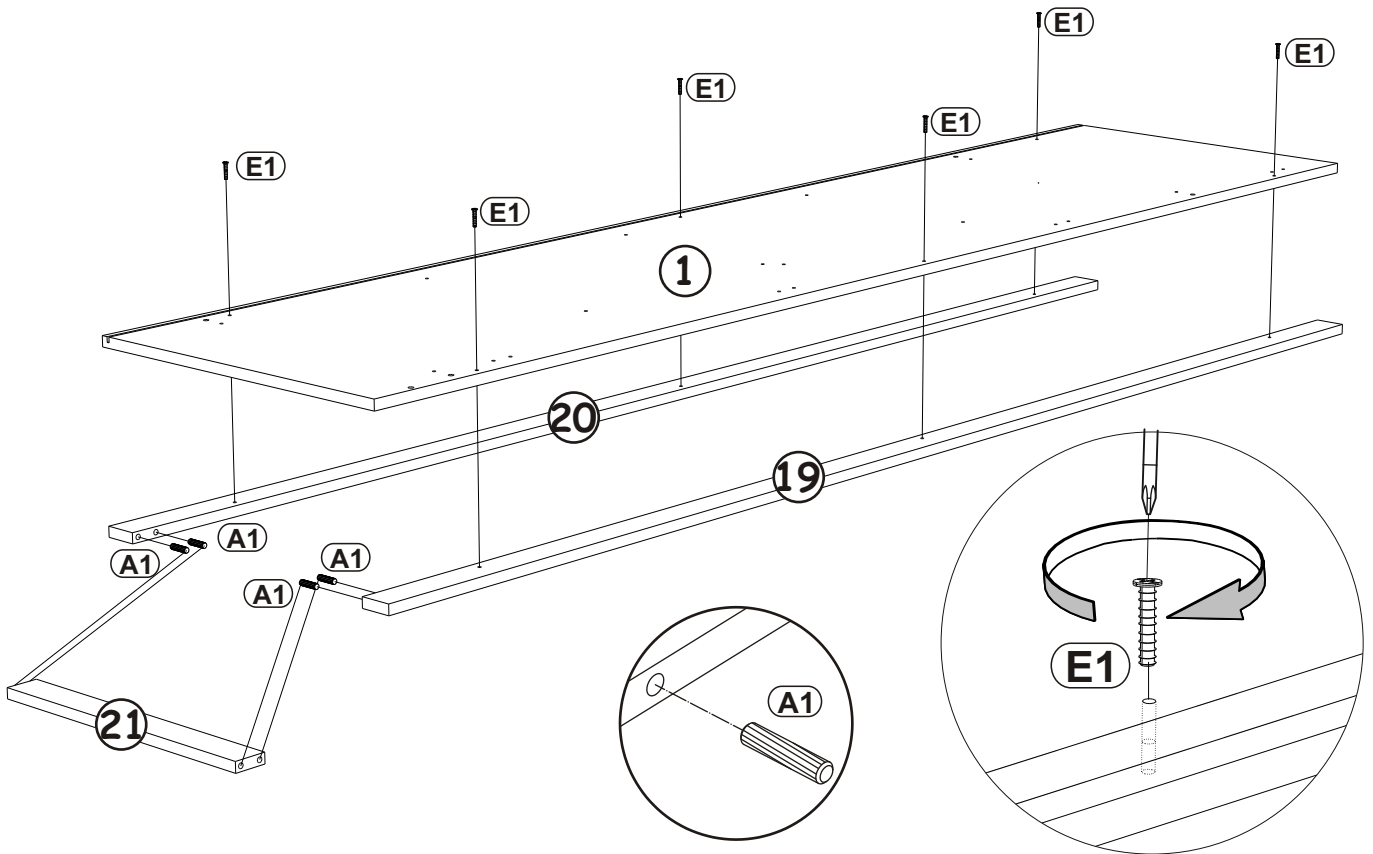
|             |  |           |  |           |   |           |  |           |   |            |  |
|-------------|--|-----------|--|-----------|---|-----------|--|-----------|---|------------|--|
| K2<br>x12   |               | E1<br>x12 | <br>ø6,3x24 | E3<br>x28 | <br>ø6,3x13    | ZX<br>x24 | <br>ø7x50       | G5<br>x40 |            | Z3<br>x24  | <br>ø5    |
| G2<br>x1    |               | E2<br>x14 | <br>H=0     | E21<br>x7 | <br>Ø35<br>H=0 | E22<br>x7 | <br>Ø35<br>H=0 | K1<br>x17 |            | A1<br>x32  | <br>ø8x30 |
| K3<br>x14   |               | N1<br>x2  | <br>500mm   | T1<br>x6  |                | B4<br>x16 |                | B5<br>x16 | <br>ø15x12 | S1<br>x22  |           |
| D10<br>x101 | <br>USØ3,5x16 | Z1<br>x4  |             | BO1<br>x5 | <br>160mm      | O1<br>x4  | <br>UsØ4x45    | L1<br>x1  | <br>1611mm | Z2.1<br>x1 | <br>950mm |
| Z2.2<br>x1  | <br>493mm     |           |  |           |   |           |  |           |   |            |  |



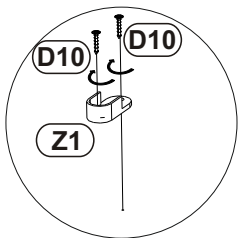
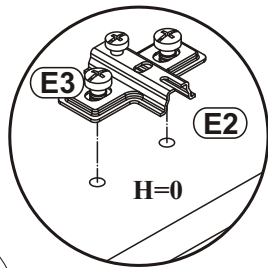
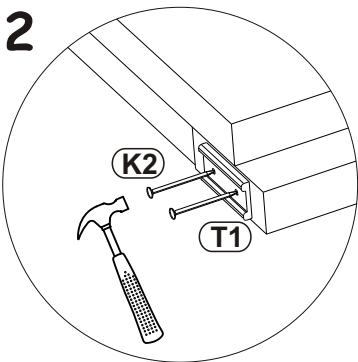
# HUGO Shkaf 4d


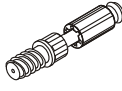

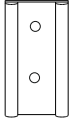

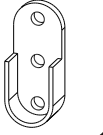
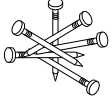
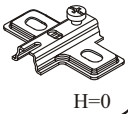
1

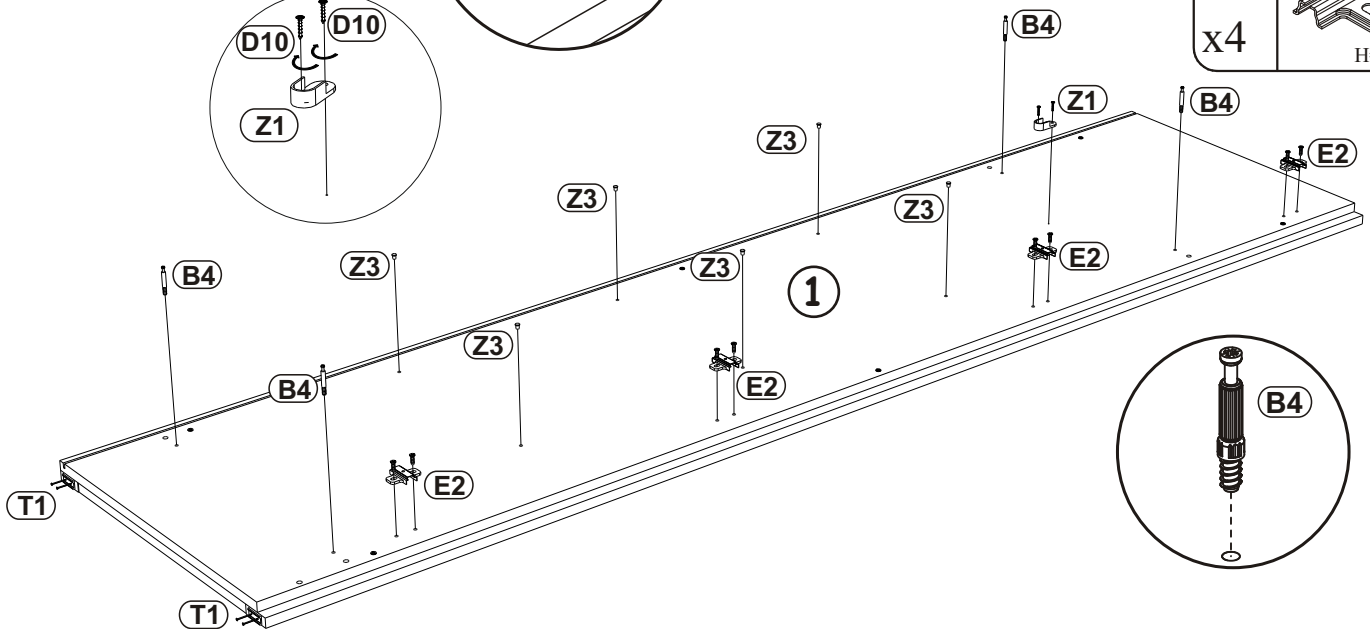
|    |  |    |   |
|----|--|----|---|
| E1 |  | A1 |  |
| x6 | ø6,3x24  | x4 | ø8x30   |



2


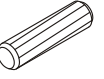


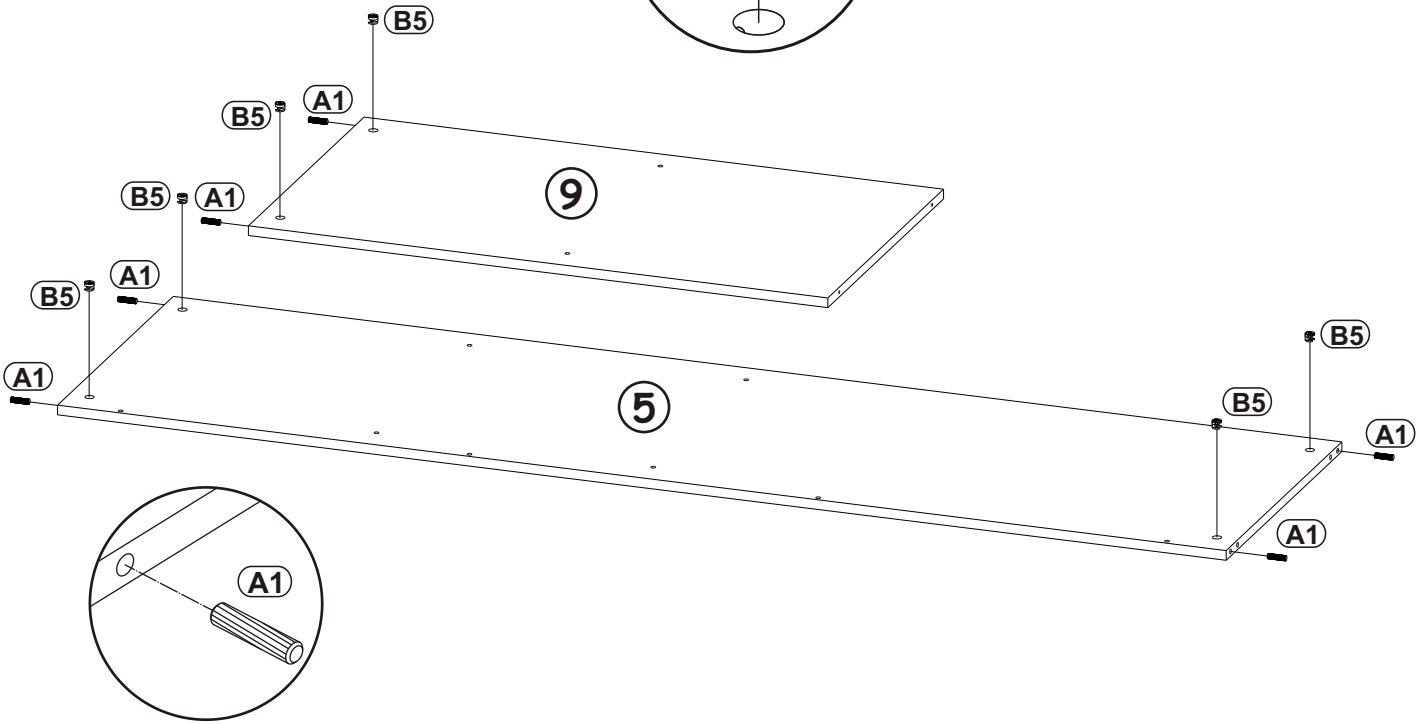
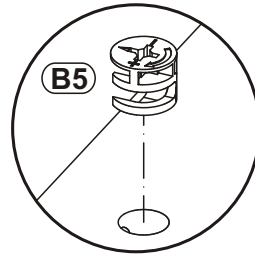
|    |   |     |  |    |   |    |   |
|----|---|-----|--|----|---|----|---|
| Z3 |  | B4  |  | E3 |  | T1 |  |
| x6 | ø5  | x4  |  | x8 | ø6,3x13   | x2 |   |
|    |   | D10 |  | Z1 |  | K2 |  |
|    |   | x2  | USØ3,5x16  | x1 |   | x4 |   |
|    |   |     |  | E2 |  |    |   |
|    |   |     |  | x4 | H=0   |    |   |




# HUGO Shkaf 4d

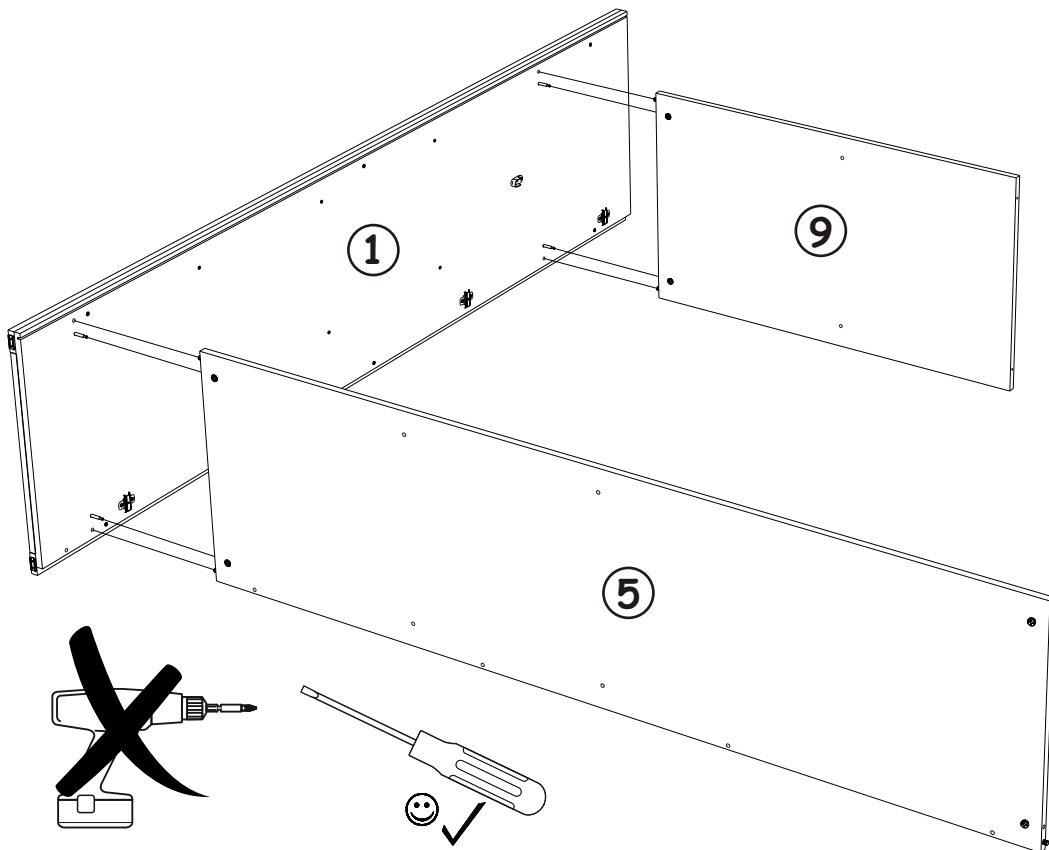
3

|    |  |    |   |
|----|--|----|---|
| B5 |  | A1 |  |
| x6 | ø15x12   | x6 | ø8x30   |



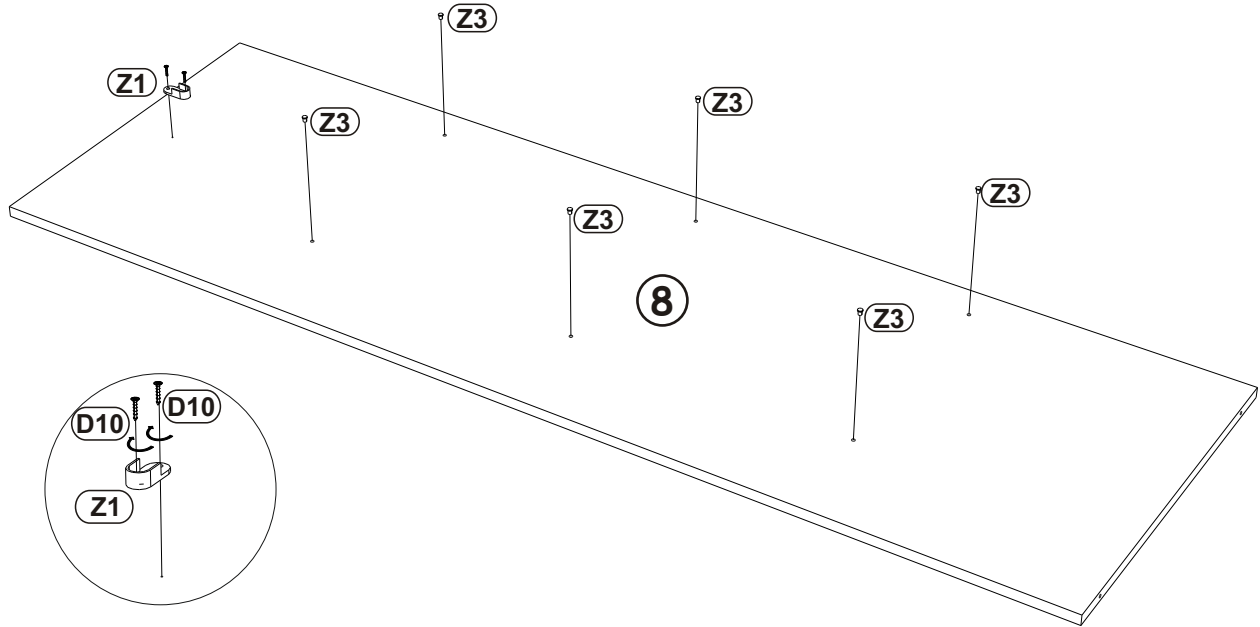
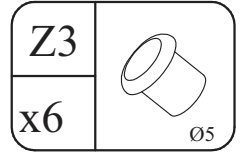
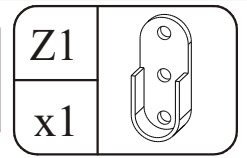
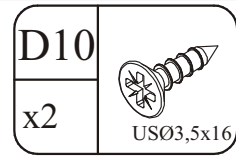
4

|    |   |
|----|---|
| G5 |  |
| x4 |   |

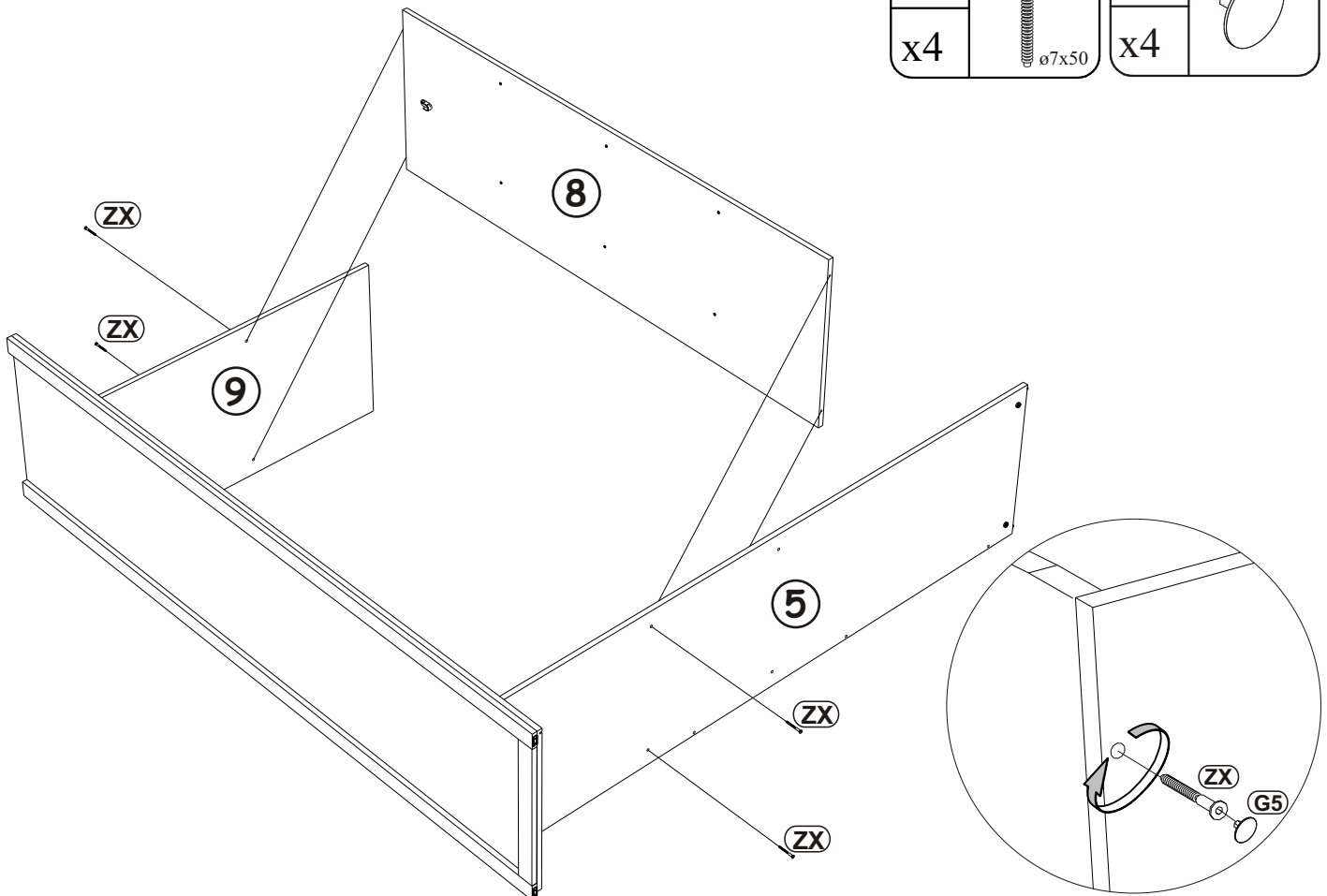
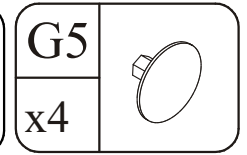
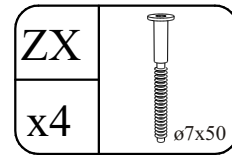


# HUGO Shkaf 4d

## 5

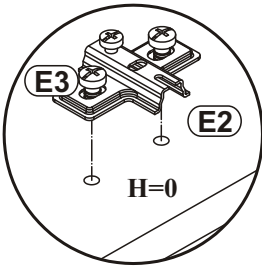
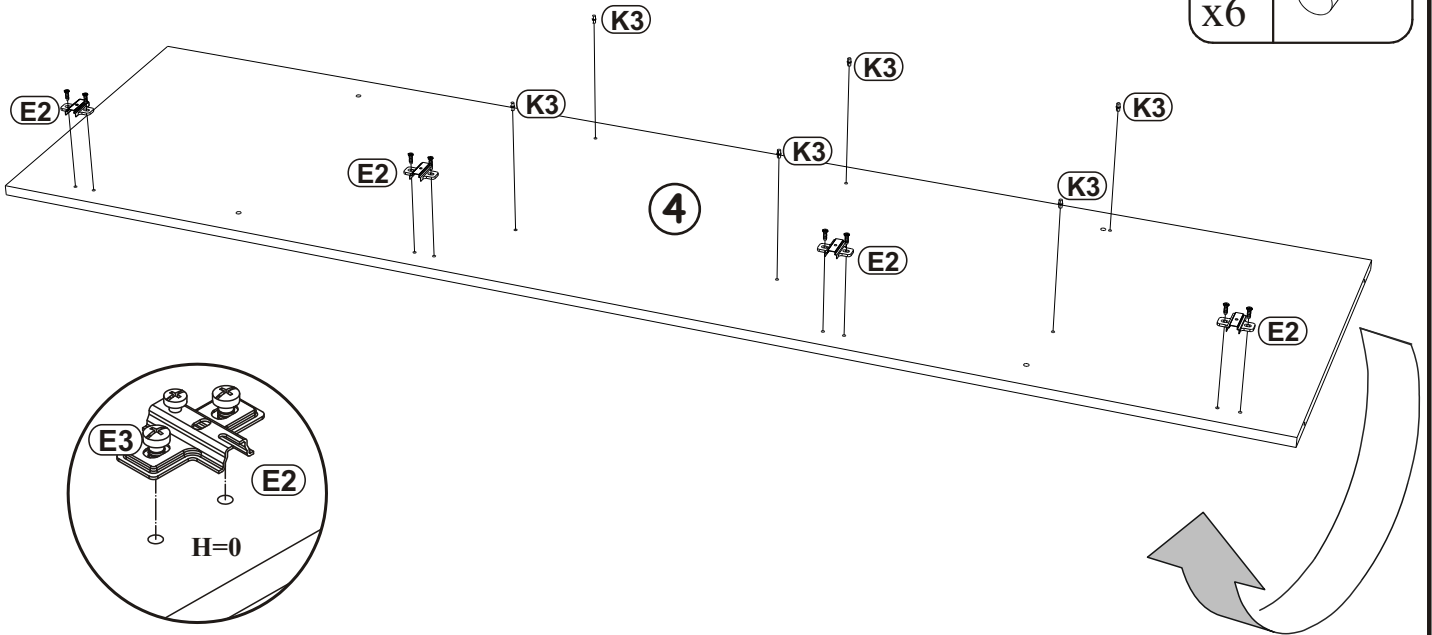
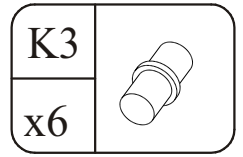
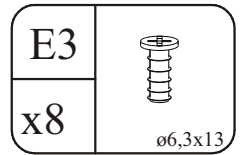
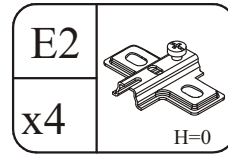
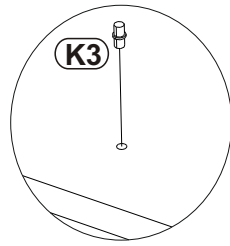


## 6

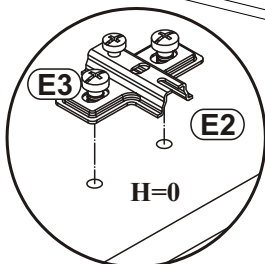
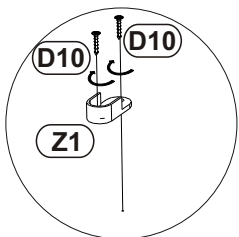
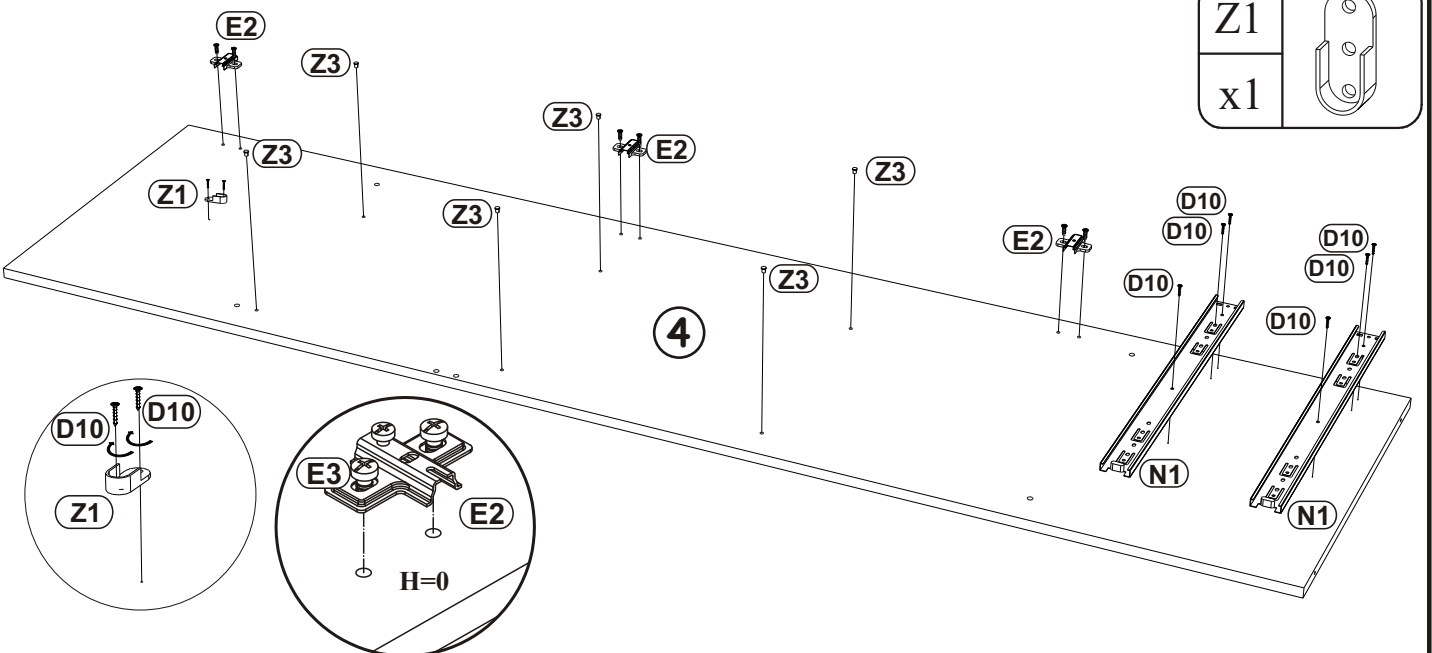
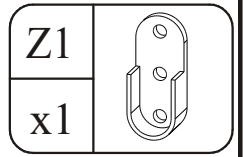
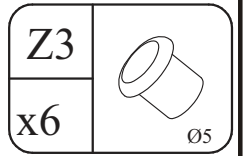
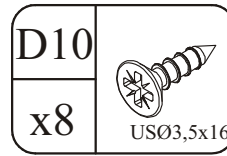
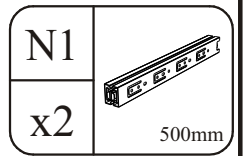
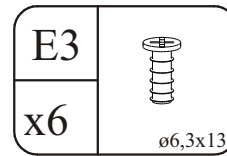
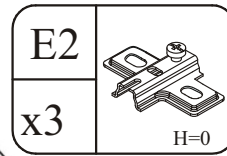
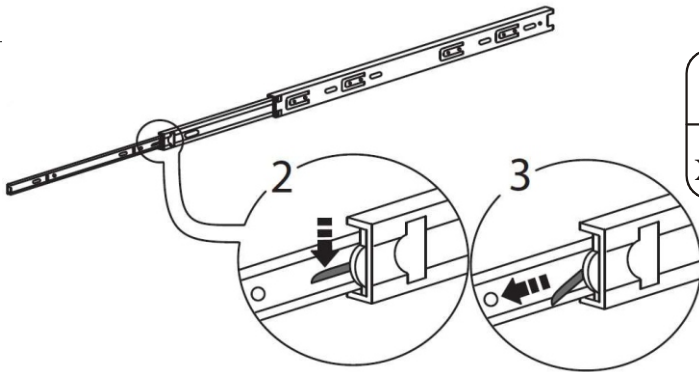


# HUGO Shkaf 4d

7

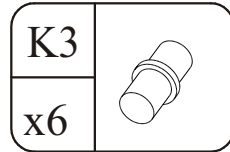
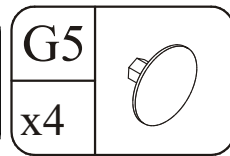
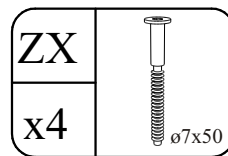
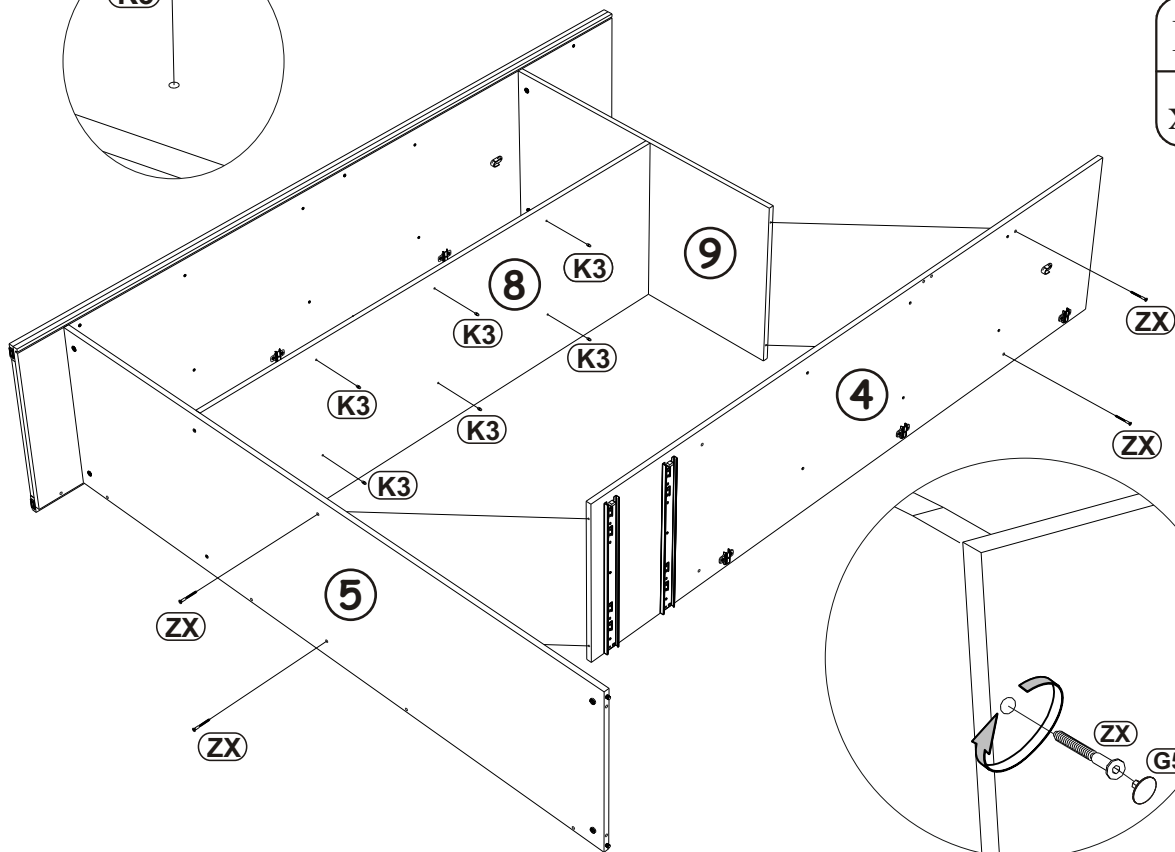
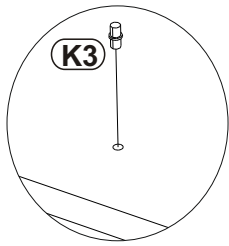


8

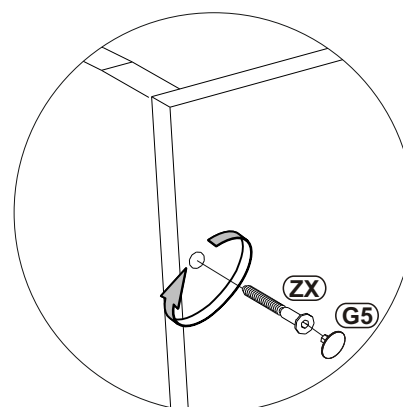
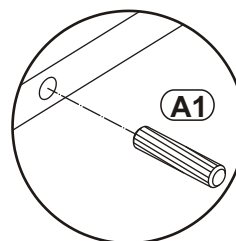
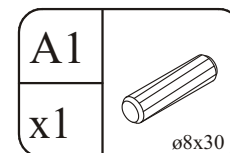
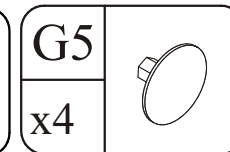
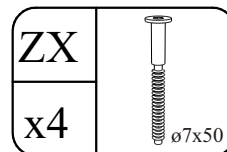
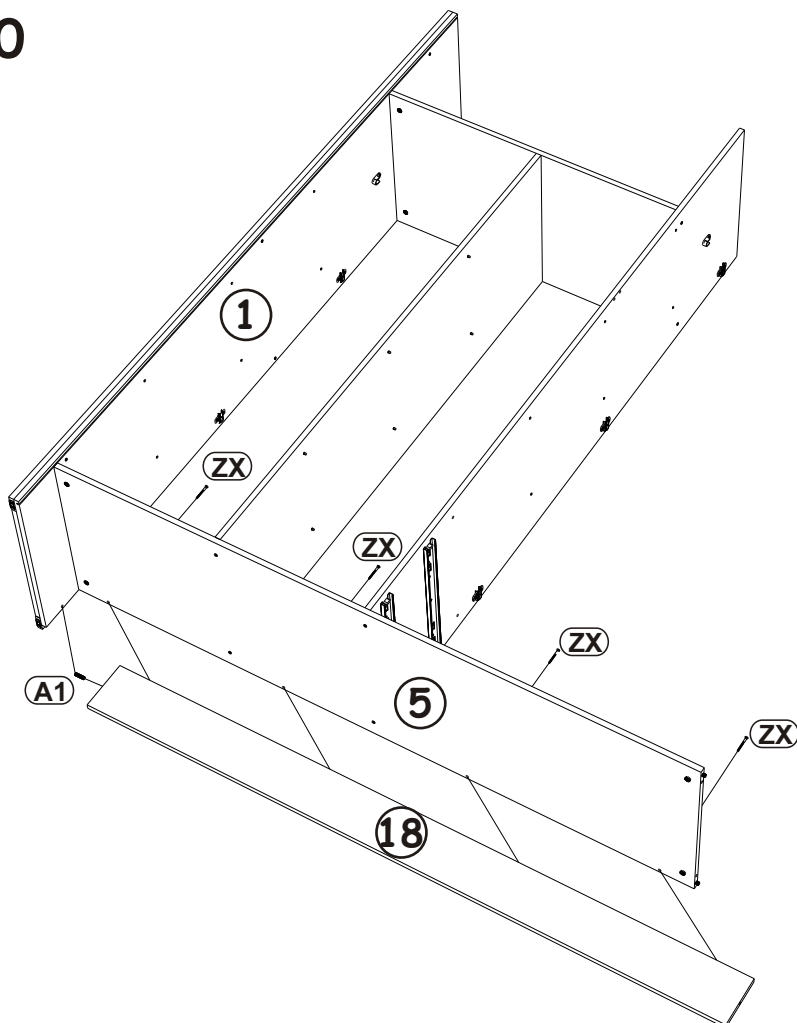


# HUGO Shkaf 4d

9


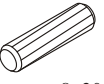


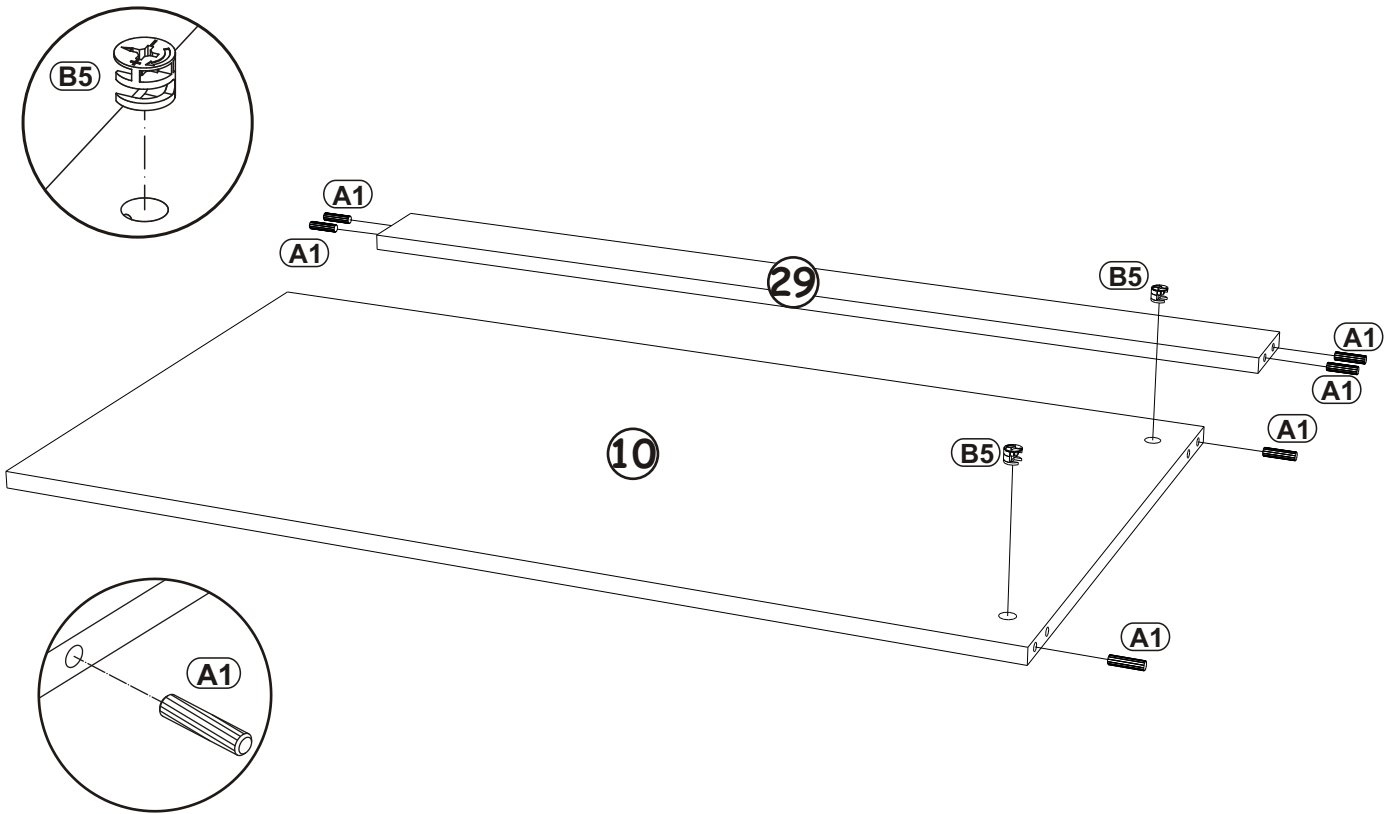
10





# HUGO Shkaf 4d

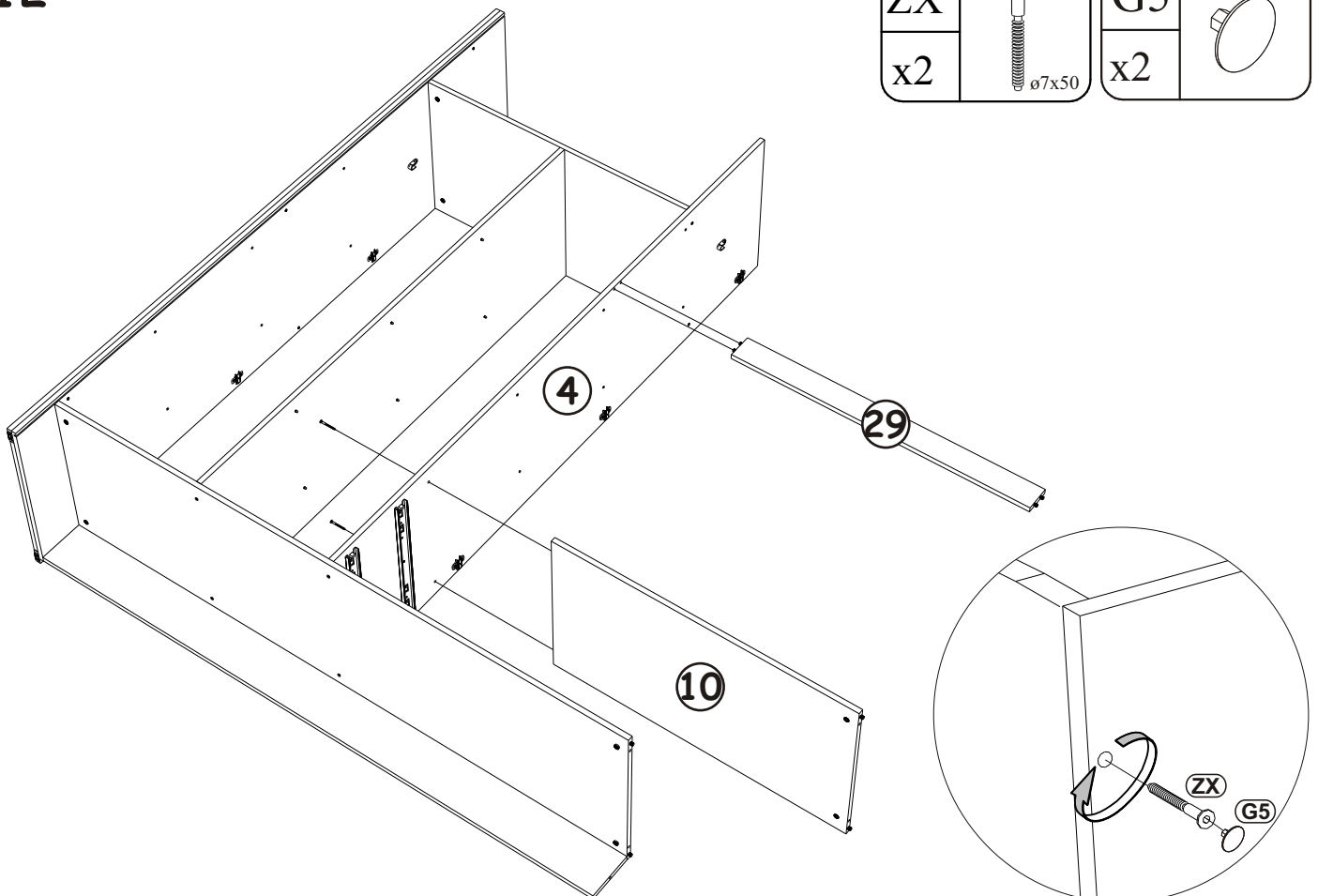
11

|    |  |    |   |
|----|--|----|---|
| B5 |  | A1 |  |
| x2 | ø15x12   | x6 | ø8x30   |



12

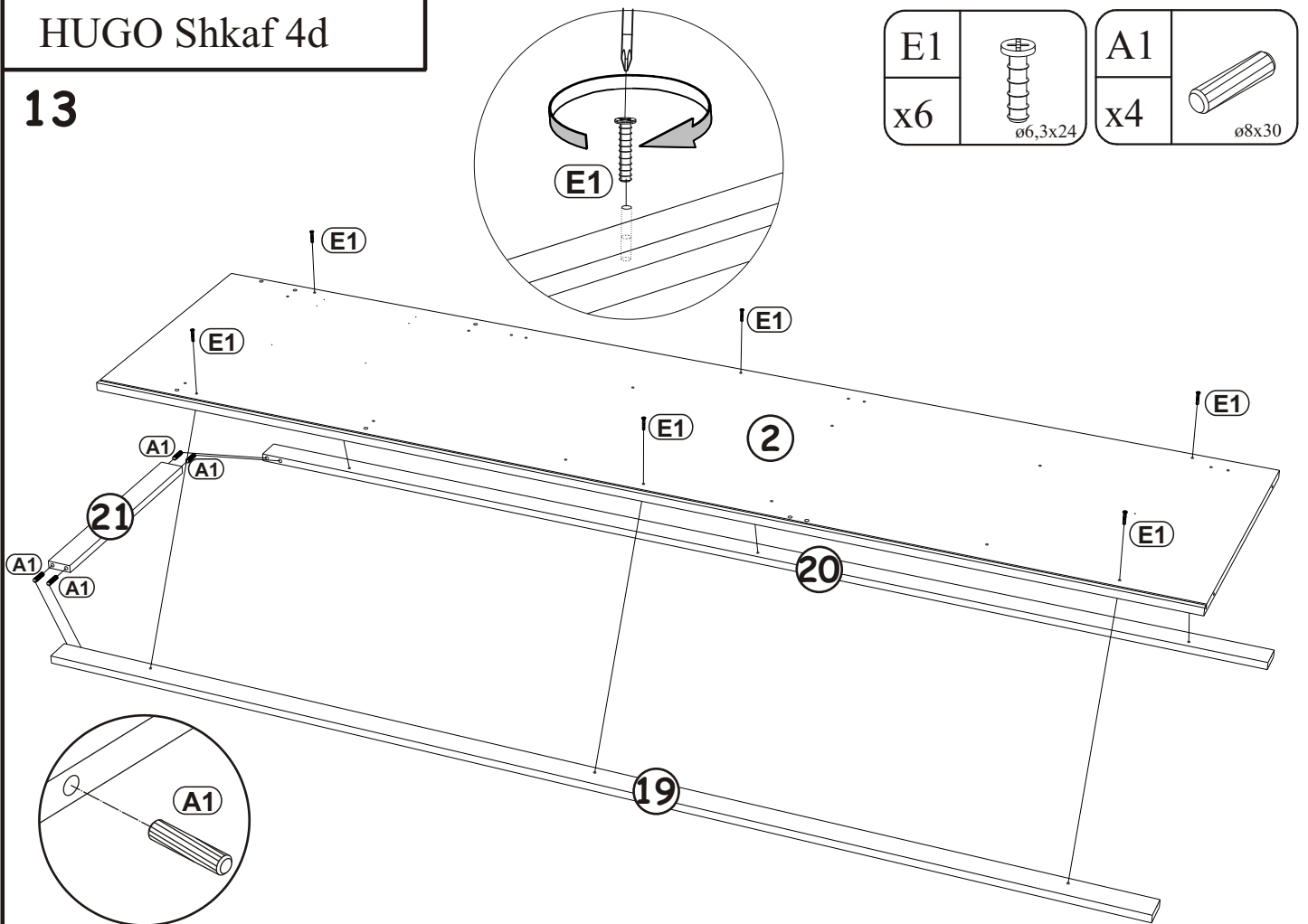
|    |   |    |   |
|----|---|----|---|
| ZX |  | G5 |  |
| x2 | ø7x50   | x2 |   |



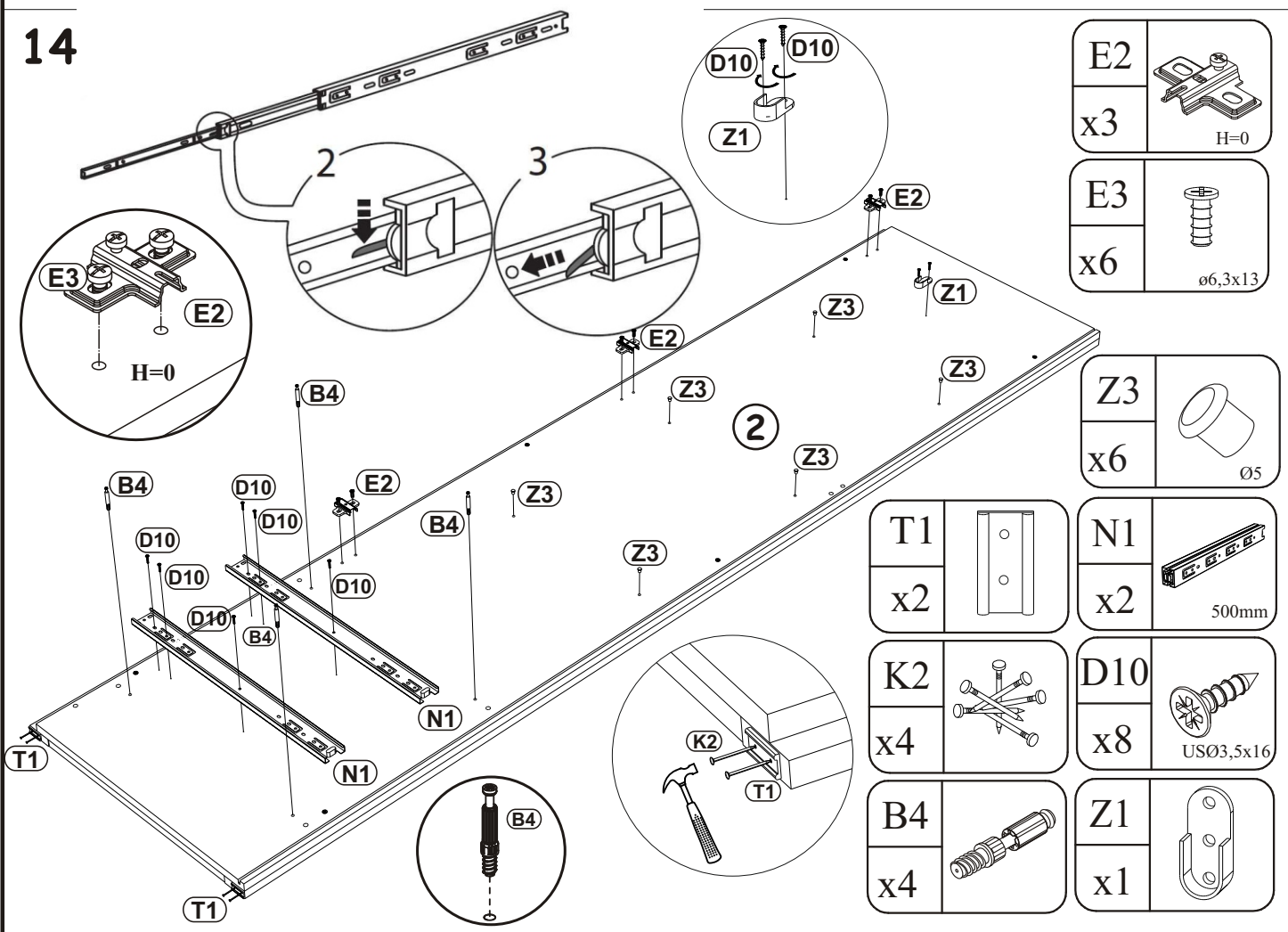


# HUGO Shkaf 4d

## 13

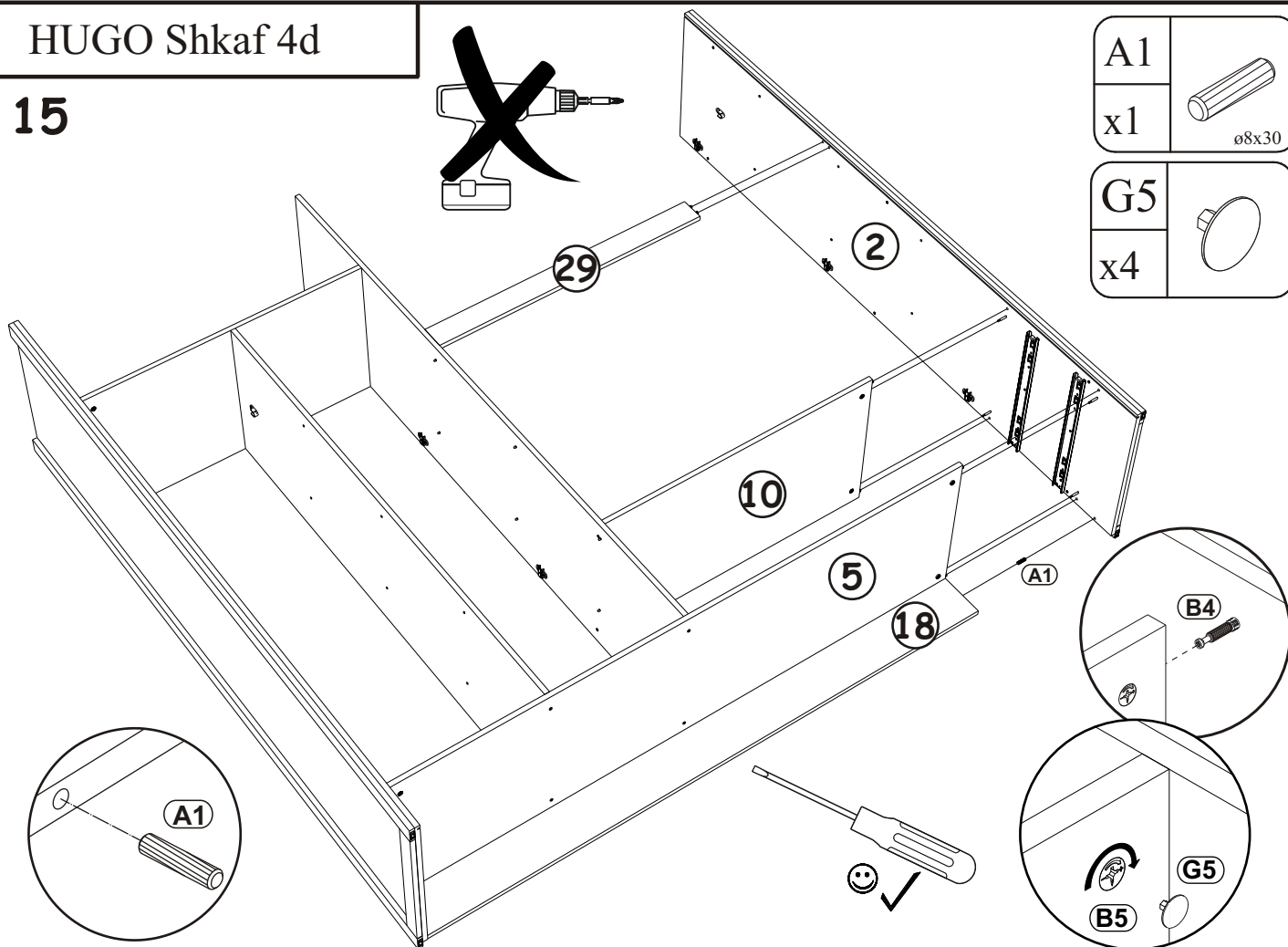
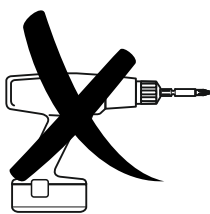


## 14



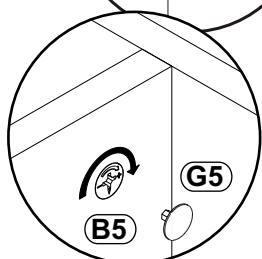
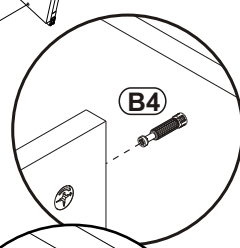
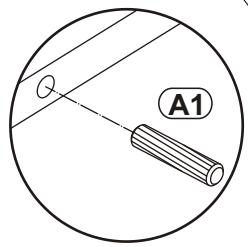
# HUGO Shkaf 4d

15



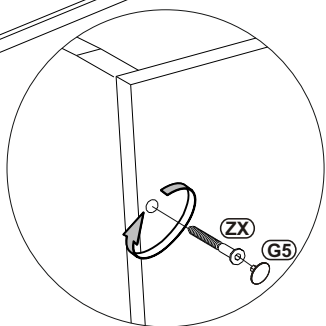
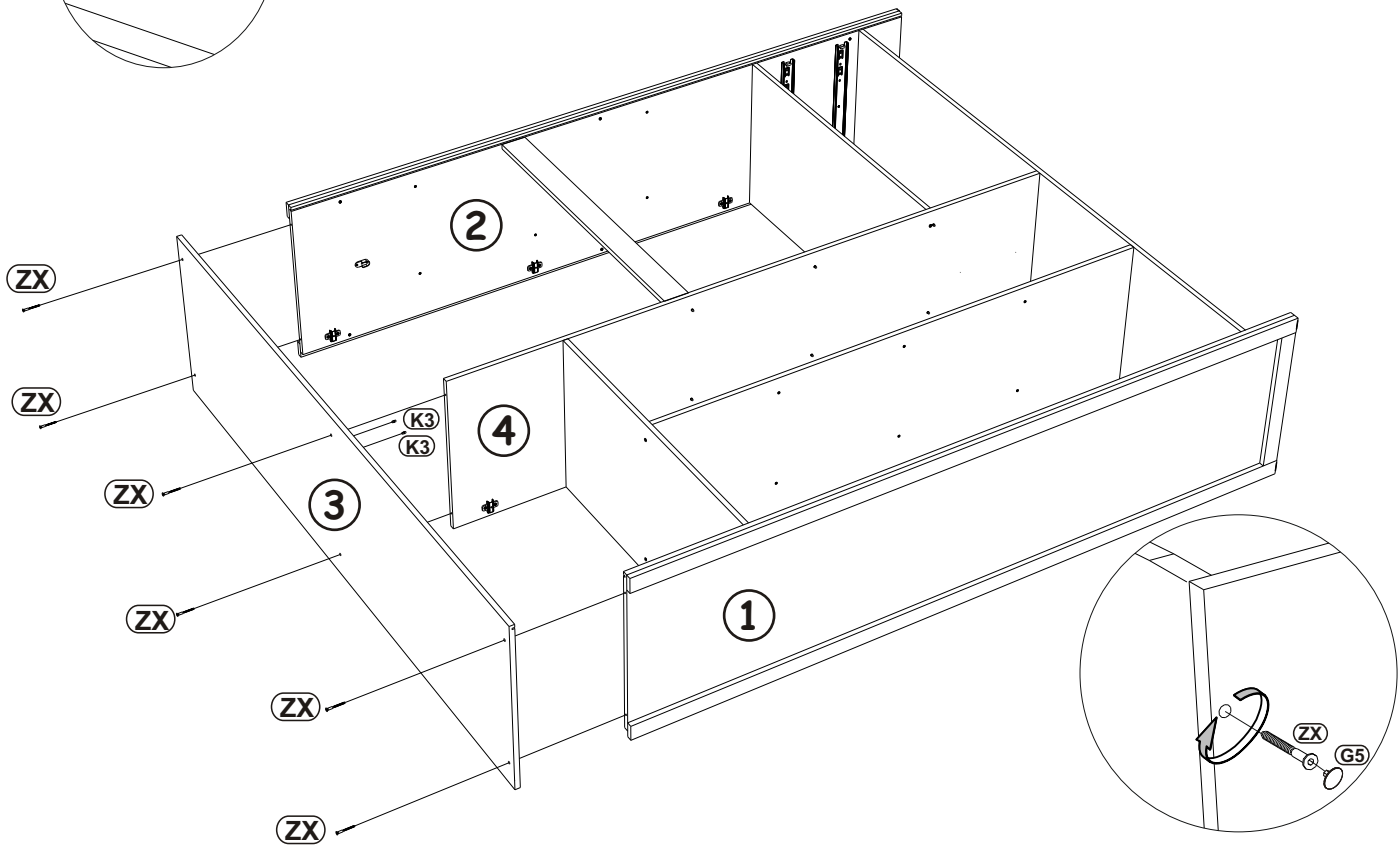
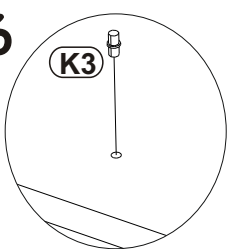
|    |       |
|----|-------|
| A1 |       |
| x1 | ø8x30 |

|    |  |
|----|--|
| G5 |  |
| x4 |  |




16

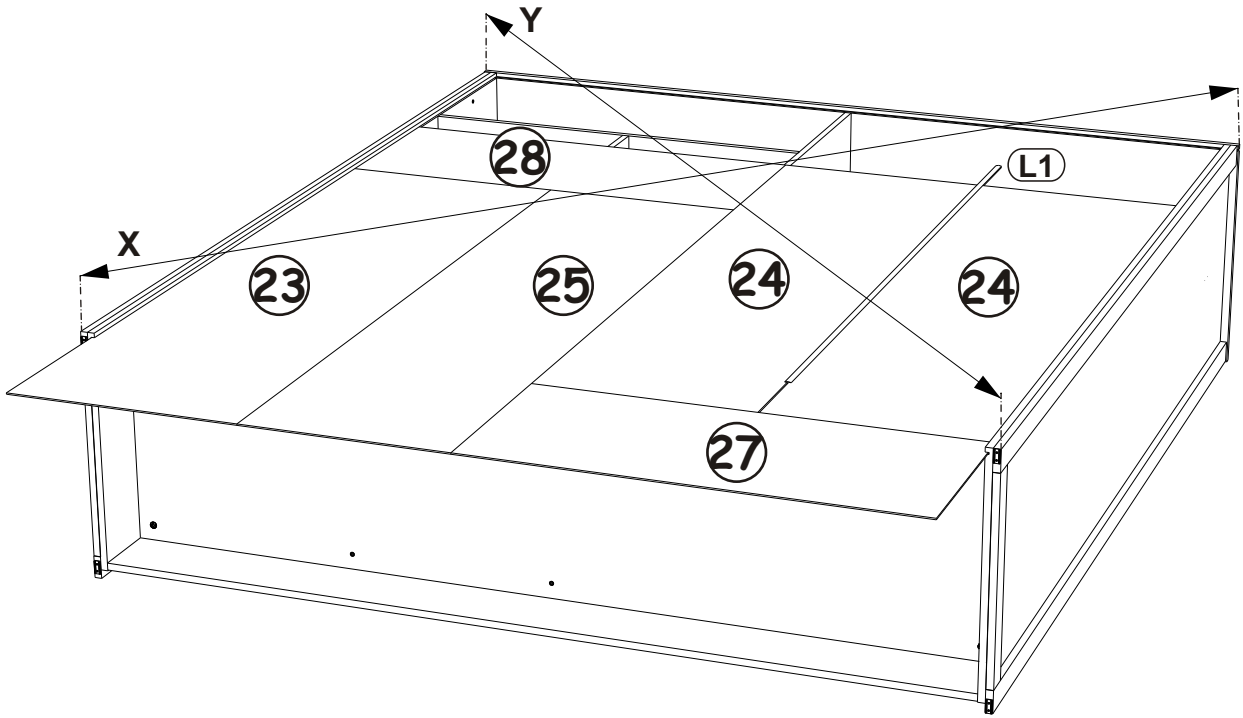
|    |       |    |  |    |  |
|----|-------|----|--|----|--|
| ZX |       | G5 |  | K3 |  |
| x6 | ø7x50 | x6 |  | x2 |  |



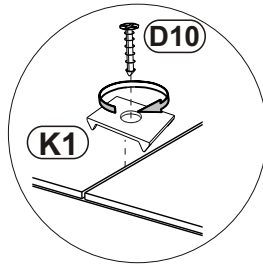
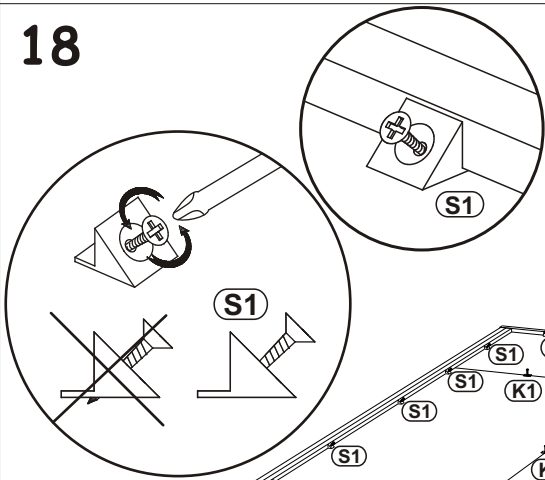
# HUGO Shkaf 4d


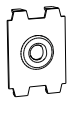
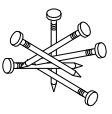
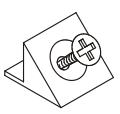
17

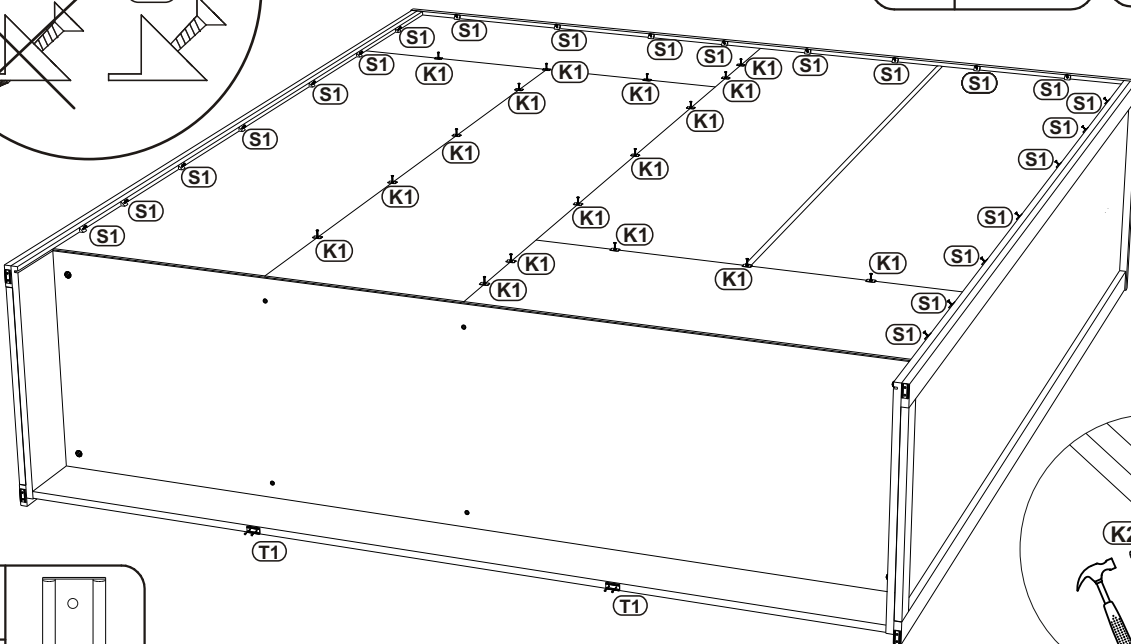
|    |  |
|----|--|
| L1 |  |
| x1 | 1611mm   |

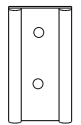


18



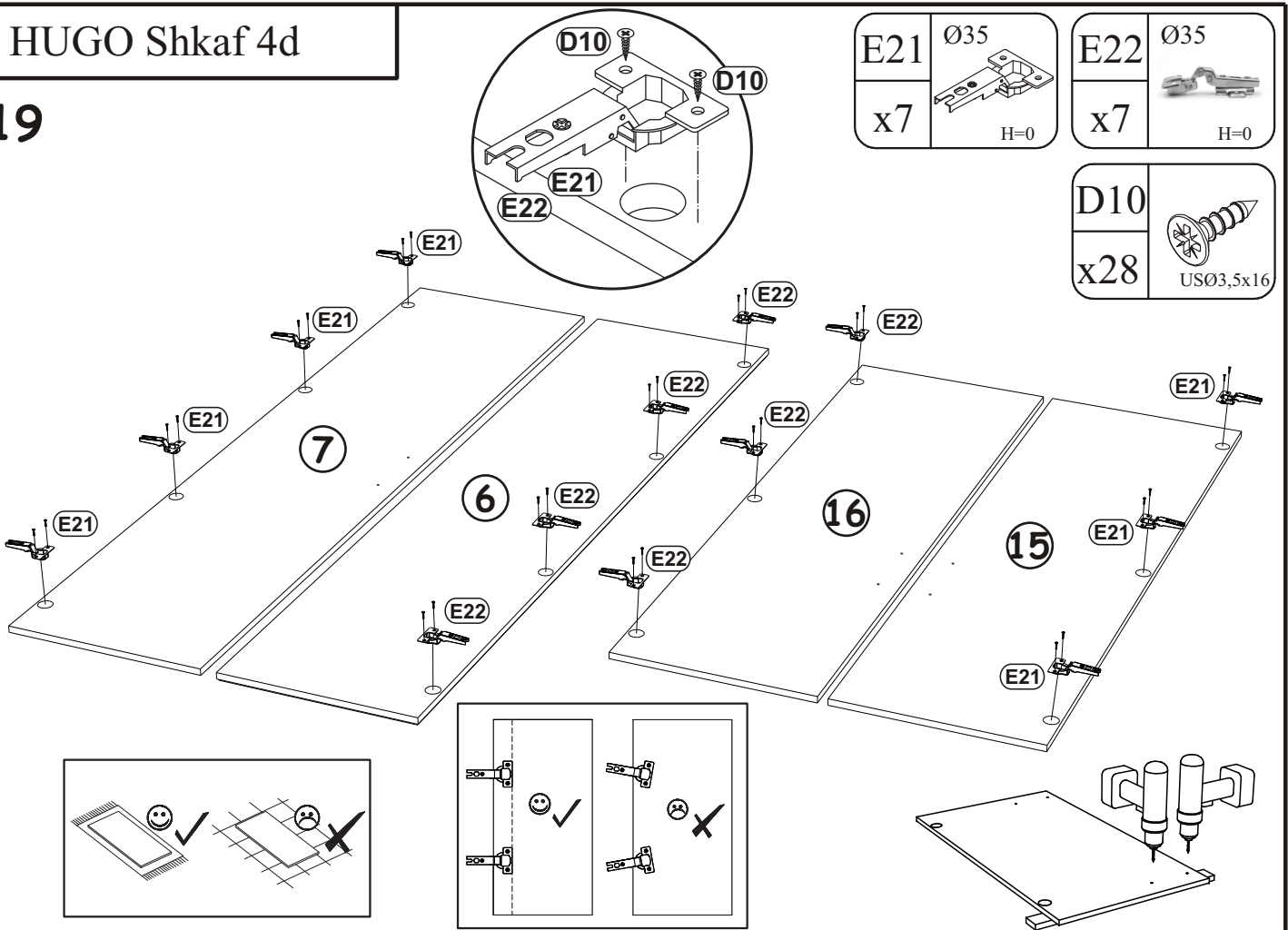
|     |   |     |   |
|-----|---|-----|---|
| D10 |  | K1  |  |
| x17 | USØ3,5x16   | x17 |   |
| K2  |  | S1  |  |
| x4  |   | x22 |   |



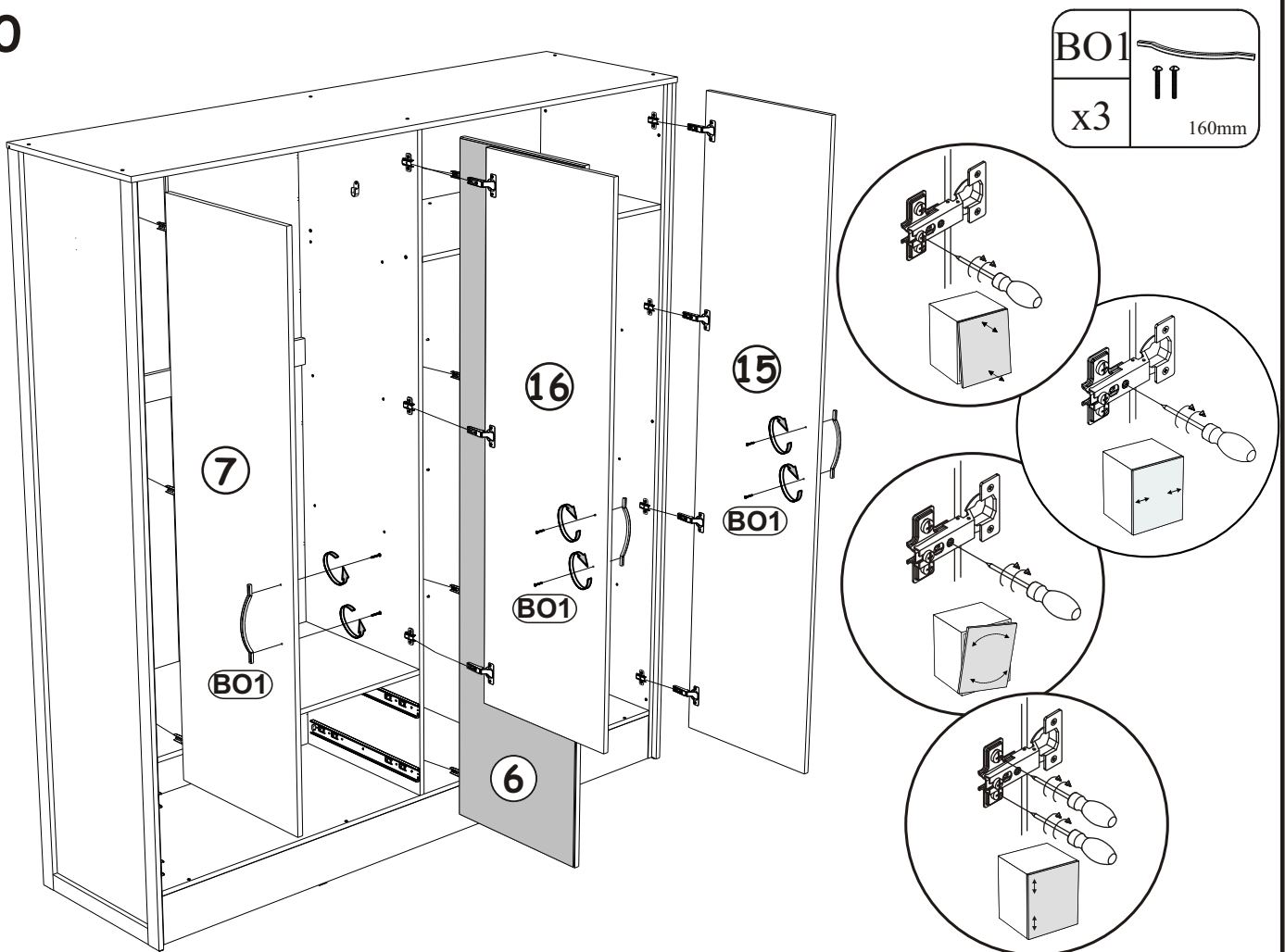
|    |   |
|----|---|
| T1 |  |
| x2 |   |

# HUGO Shkaf 4d

## 19

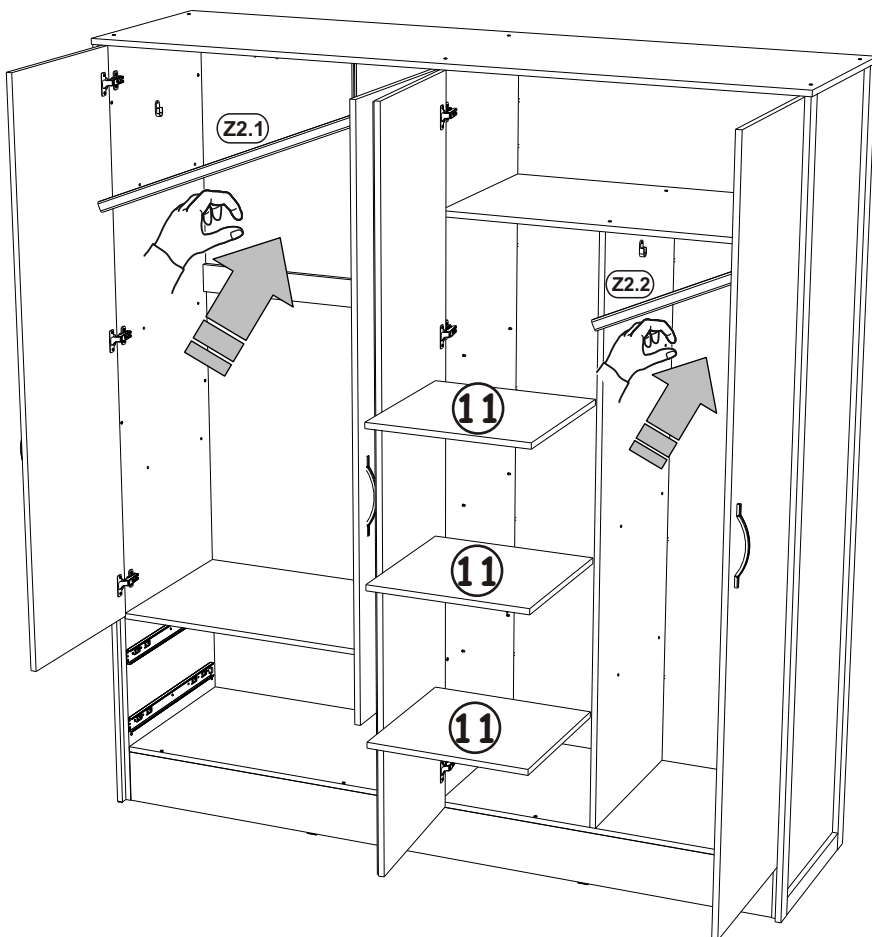


## 20



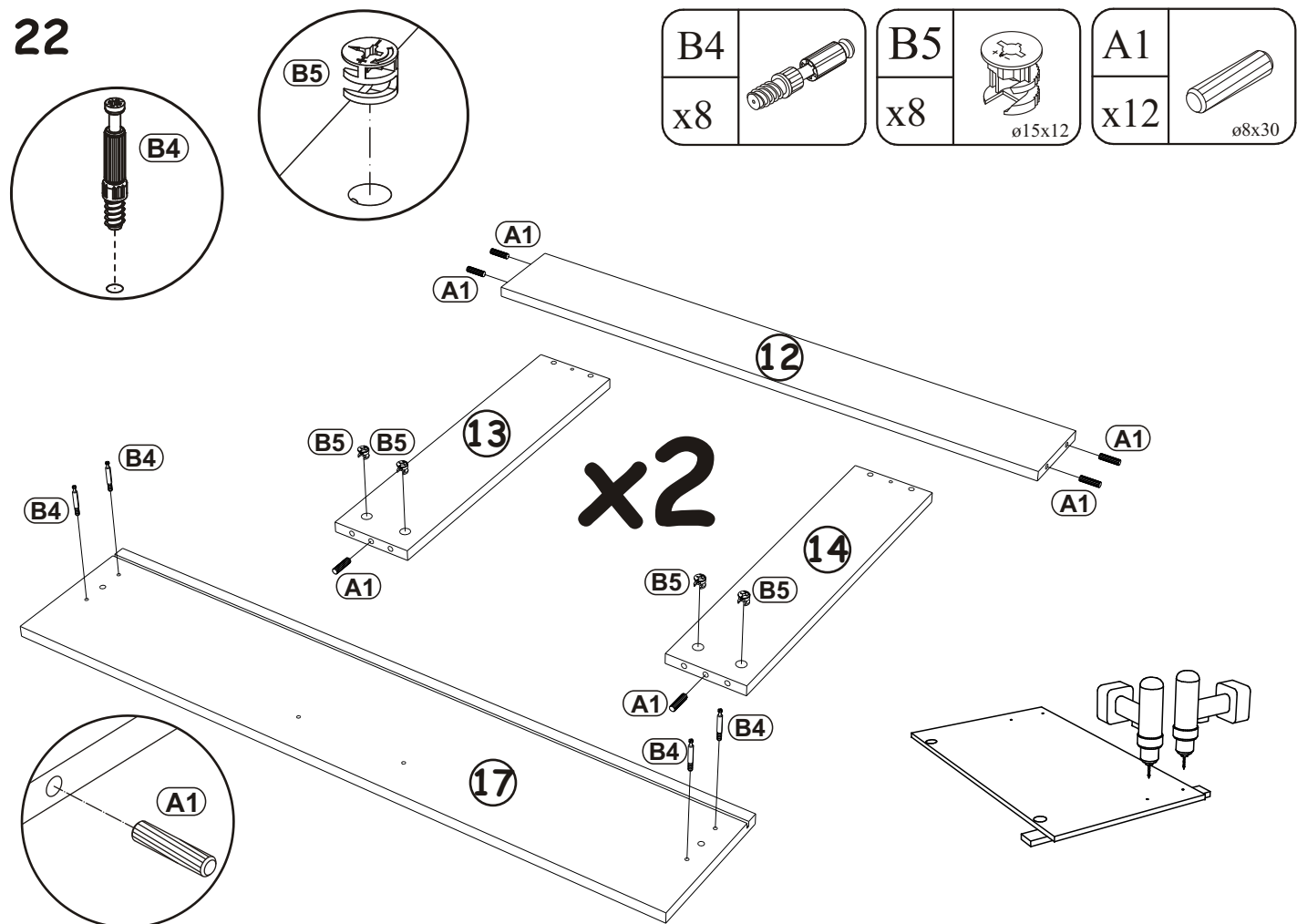
# HUGO Shkaf 4d

21




|      |       |      |       |
|------|-------|------|-------|
| Z2.2 |       | Z2.1 |       |
| x1   | 493mm | x1   | 950mm |

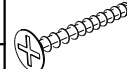
22




|    |  |    |        |     |       |
|----|--|----|--------|-----|-------|
| B4 |  | B5 |        | A1  |       |
| x8 |  | x8 | ø15x12 | x12 | ø8x30 |

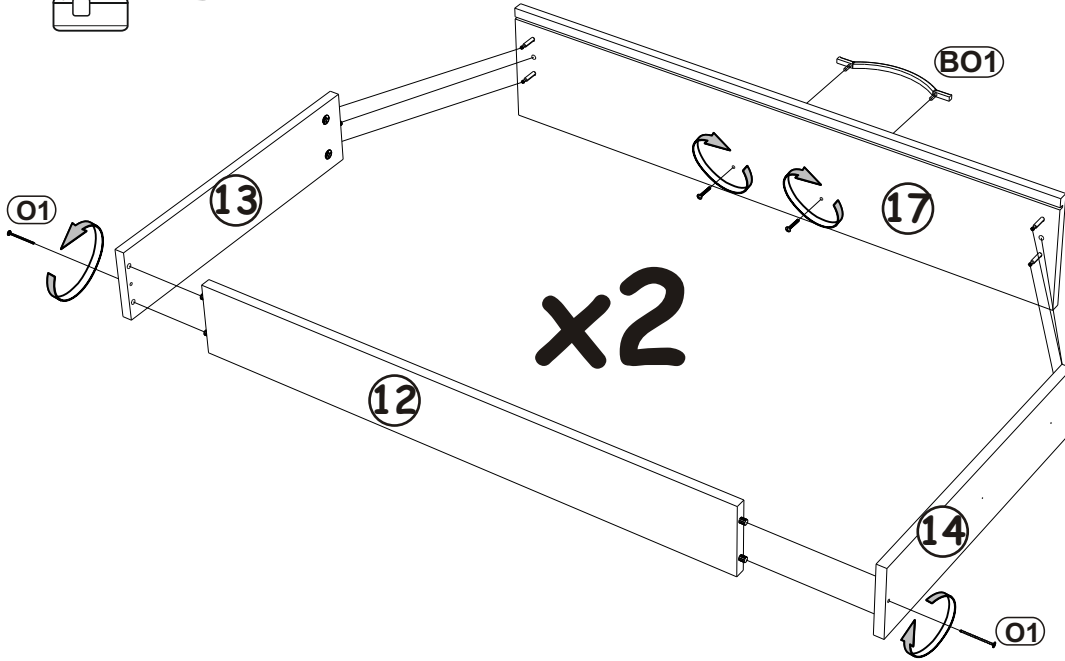
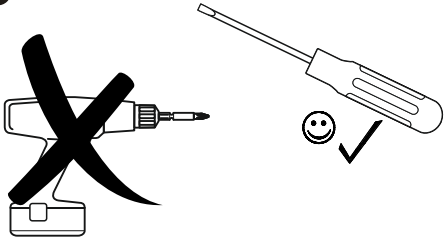
# HUGO Shkaf 4d

|    |   |
|----|---|
| G5 |  |
| x8 |   |


|    |   |
|----|---|
| O1 |  |
| x4 | UsØ4x45   |

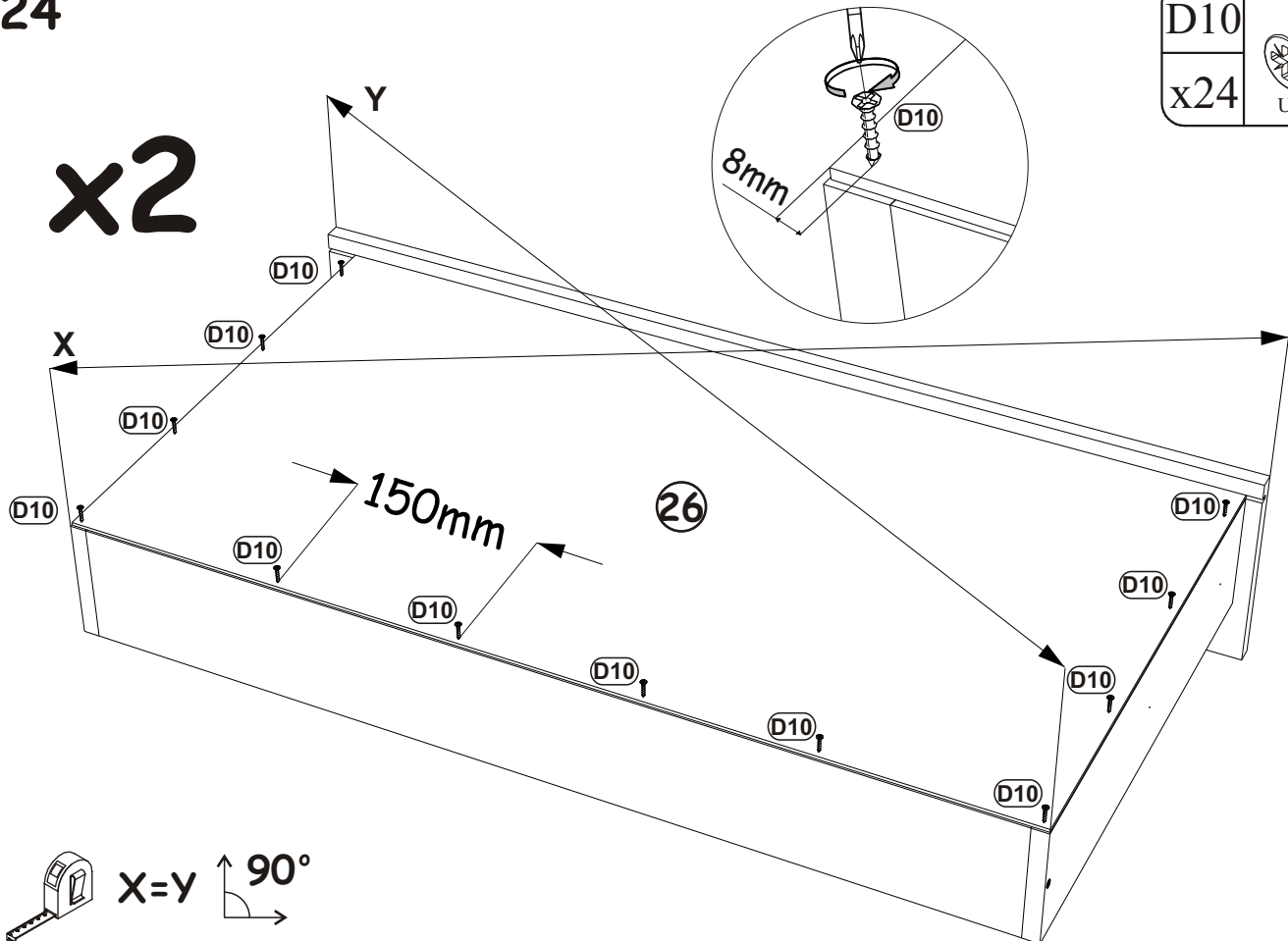
|     |   |
|-----|---|
| BO1 |  |
| x2  | 160mm   |


23




24

|     |   |
|-----|---|
| D10 |  |
| x24 | USØ3,5x16   |

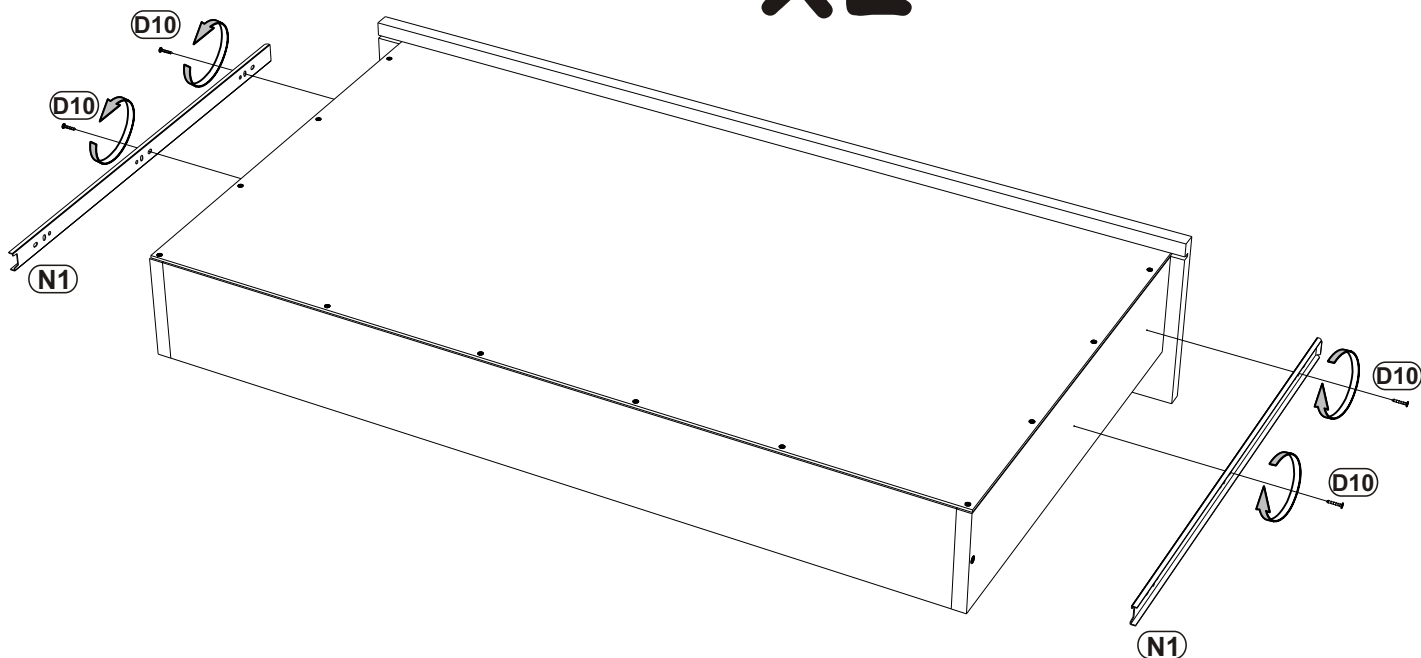


|     |   |
|-----|---|
| D10 |  |
| x8  | USØ3,5x16   |

|    |   |
|----|---|
| N1 |  |
| x4 | 500mm   |

25

x2



26

