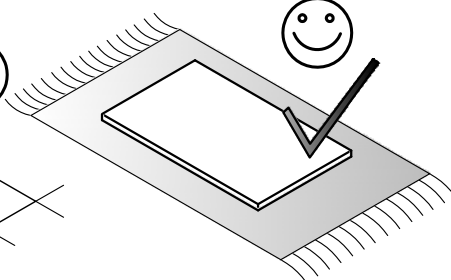
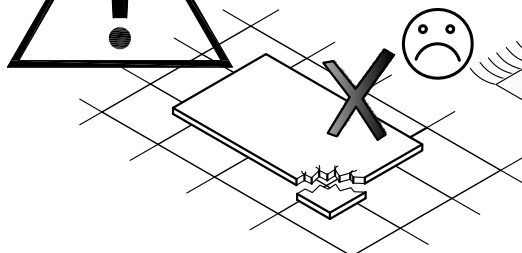
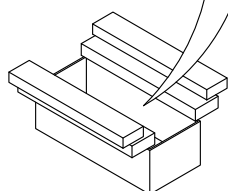
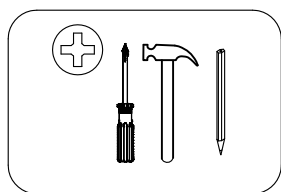
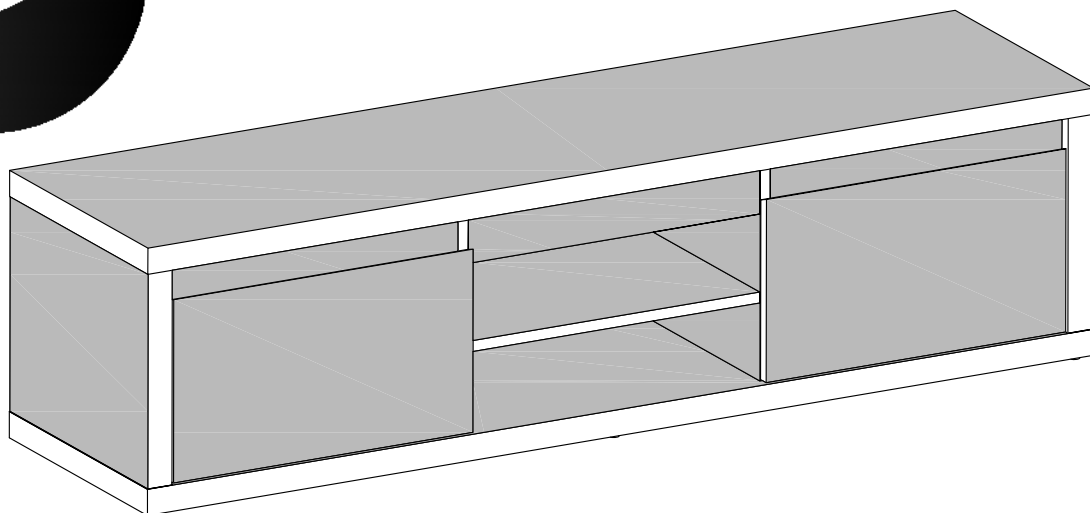
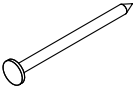


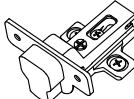
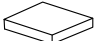
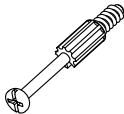
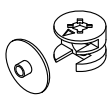
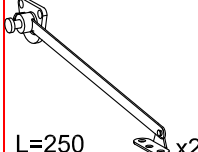
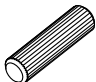
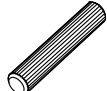

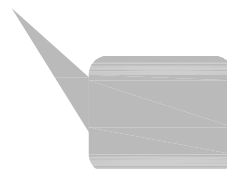


A	B	C	D
1	312x394x38	1	1/2
2	312x377x16	1	2/2
3	312x377x16	1	2/2
4	312x394x38	1	1/2
5	460x376x16	1	2/2
6	1484x383x3	1	1/2
7	1490x395x38	1	1/2
8	1490x395x38	1	1/2
9	460x70x16	3	2/2
10	266x472x16	2	2/2

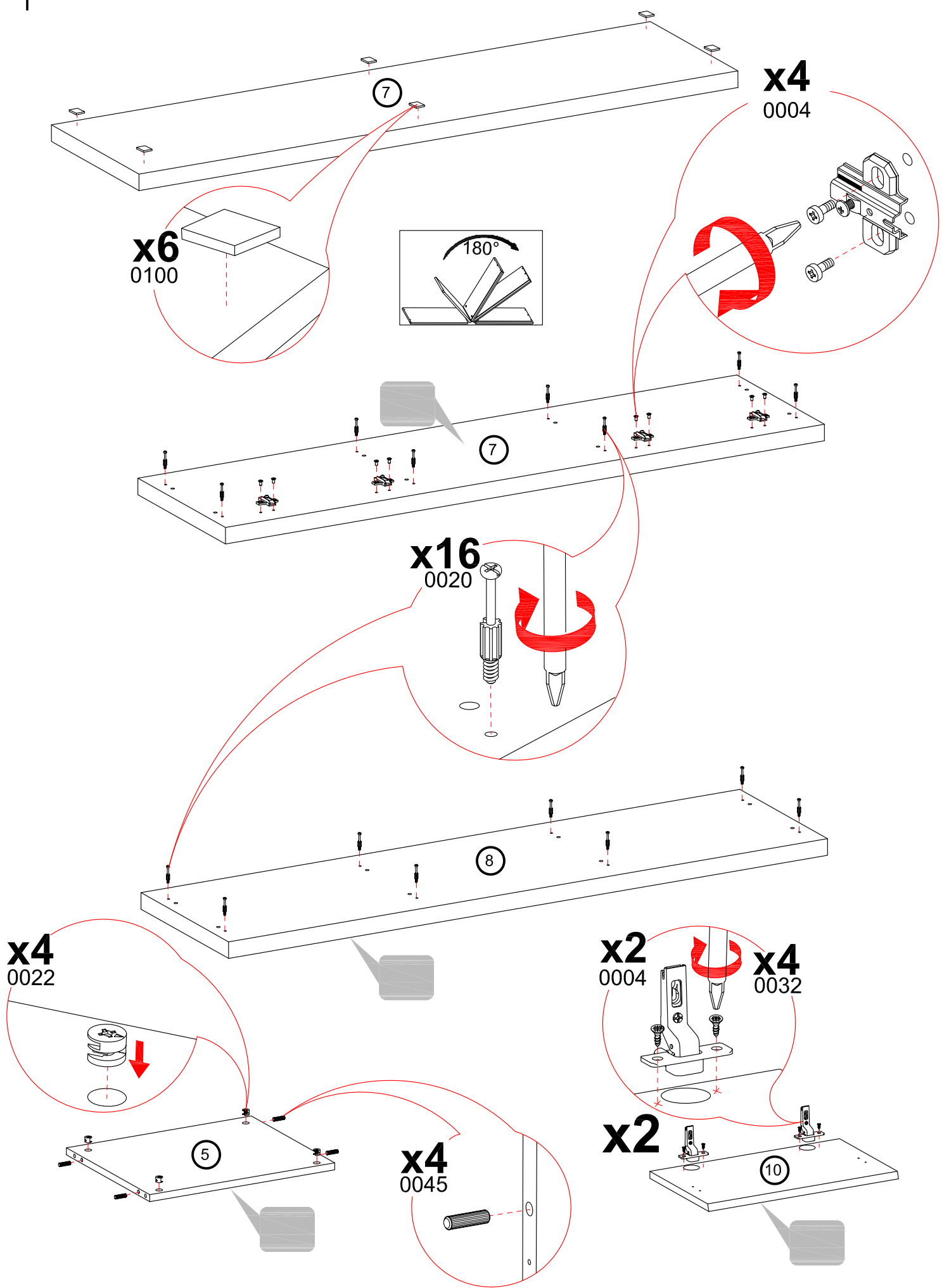


<p>0059</p>  <p>x60</p>	<p>0032</p>  <p>4x13 x12</p>	<p>0033</p>  <p>4x16 x4</p>	<p>0004</p>  <p>H=0 x4</p>
<p>0100</p>  <p>x6</p>	<p>0020</p>  <p>x20</p>	<p>0022</p>  <p>x20</p>	<p>0245</p>  <p>L=250 x2</p>
<p>0045</p>  <p>8x30 x24</p>	<p>0047</p>  <p>8x50 x4</p>	<p>0246</p>  <p>x4</p>	



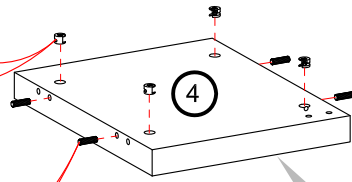
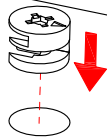
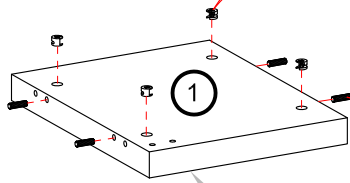
-ГЛЯНЕЦ

1

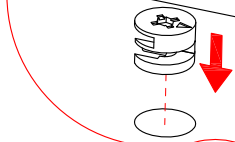


2

x8
0022



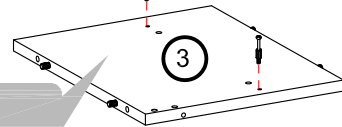
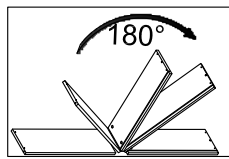
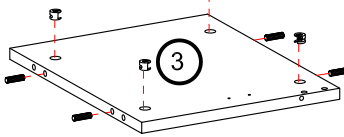
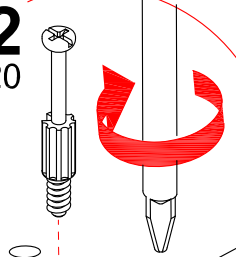
x4
0022



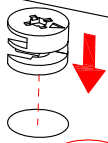
x8
0045



x2
0020



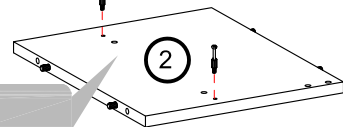
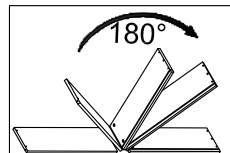
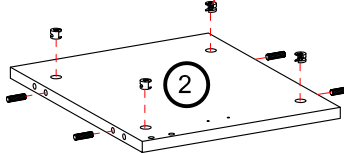
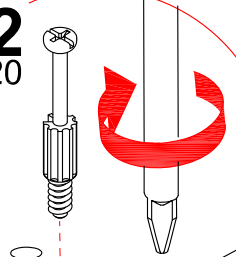
x4
0022



x4
0045



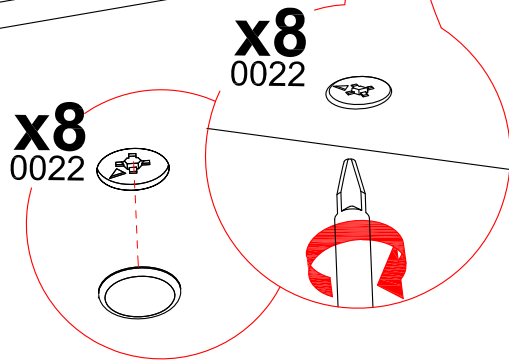
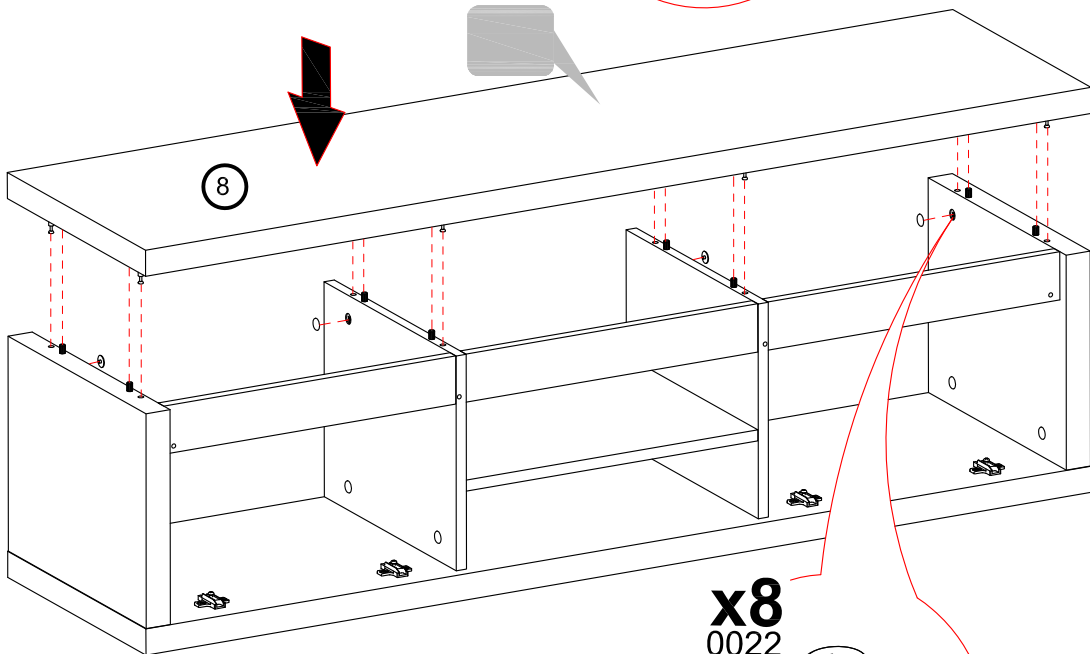
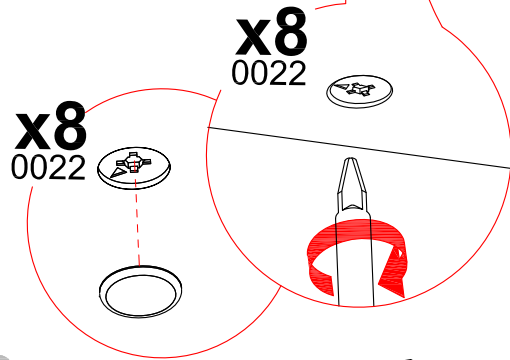
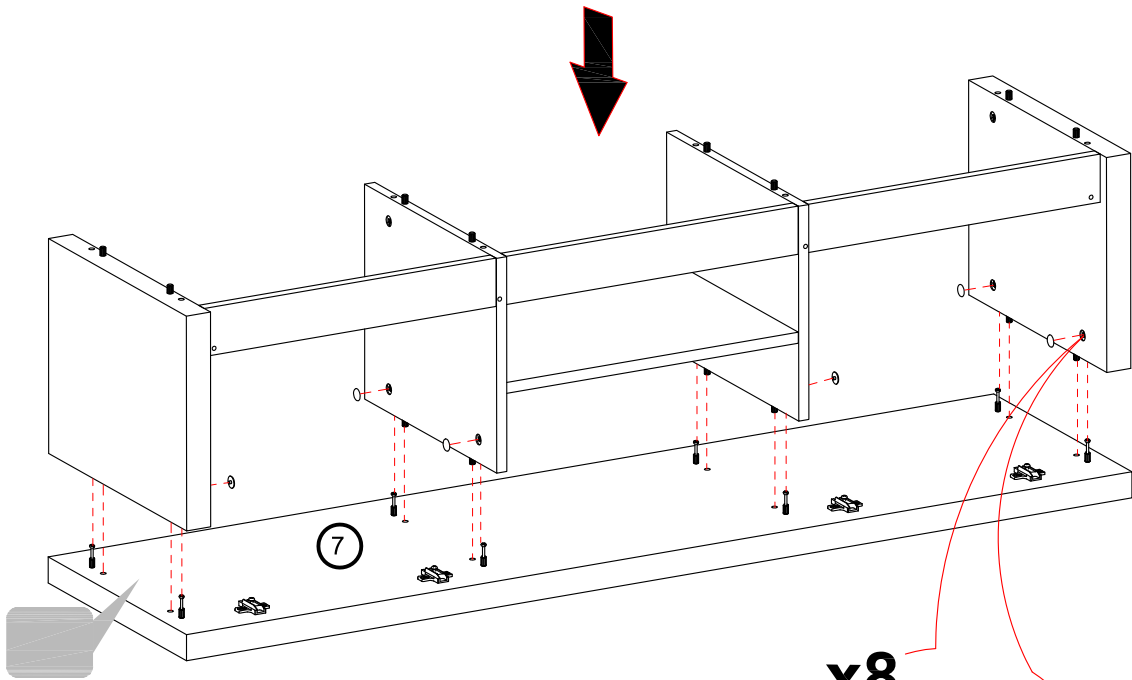
x2
0020



x4
0045



4



5

