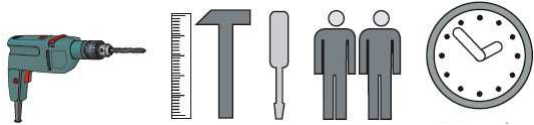
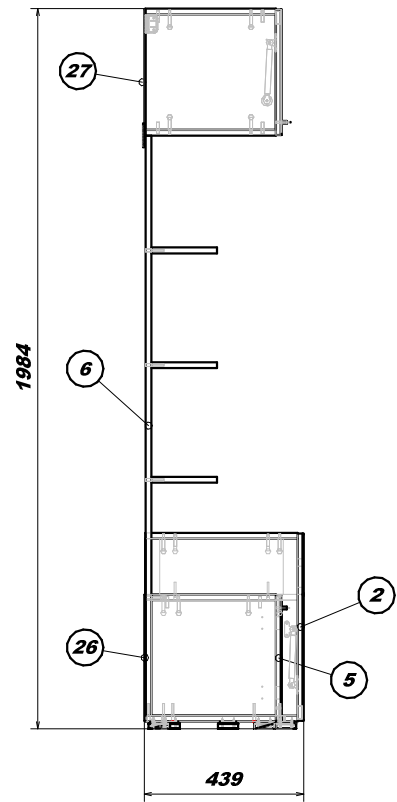
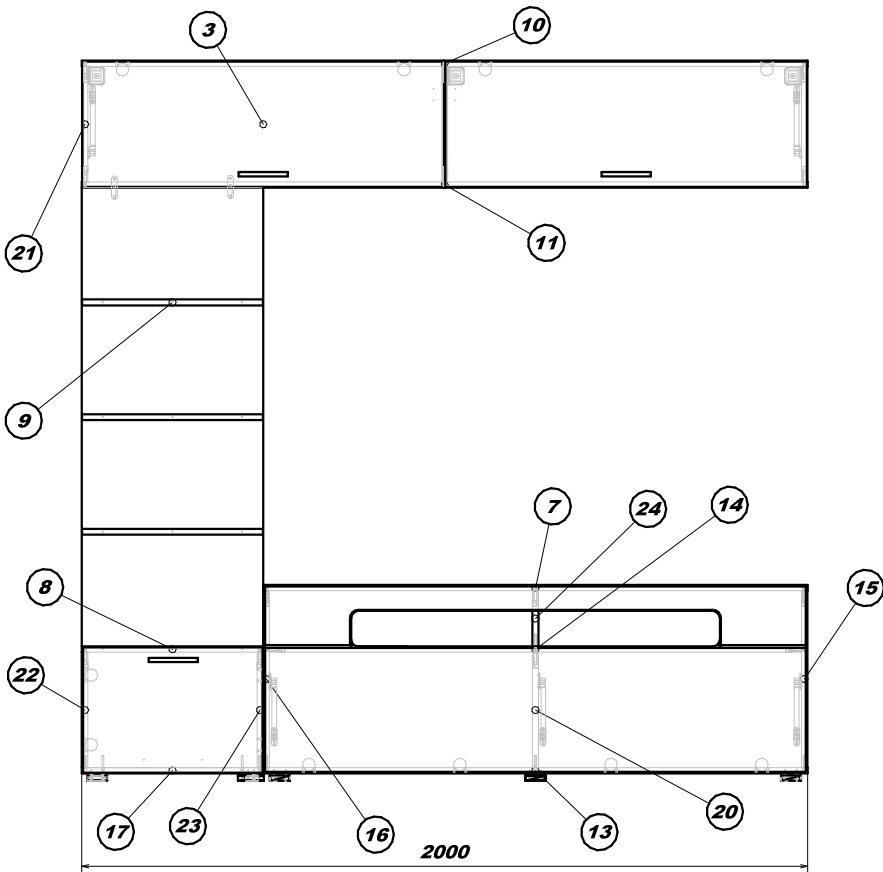
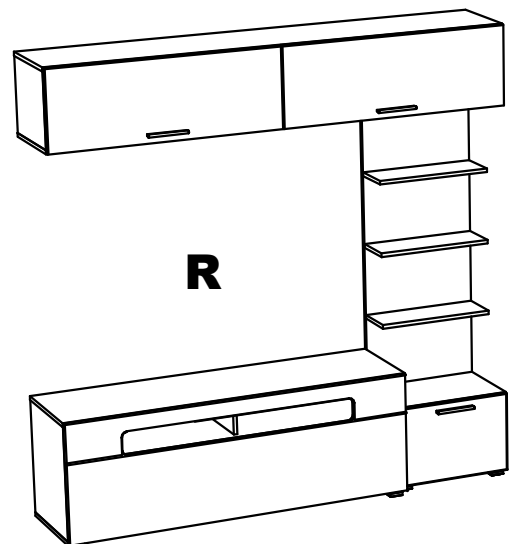
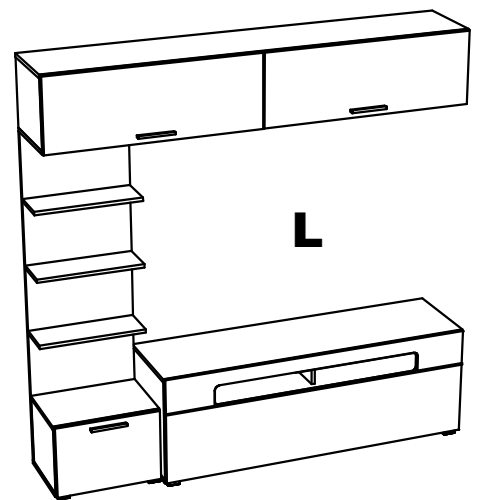


" SYDNEY "



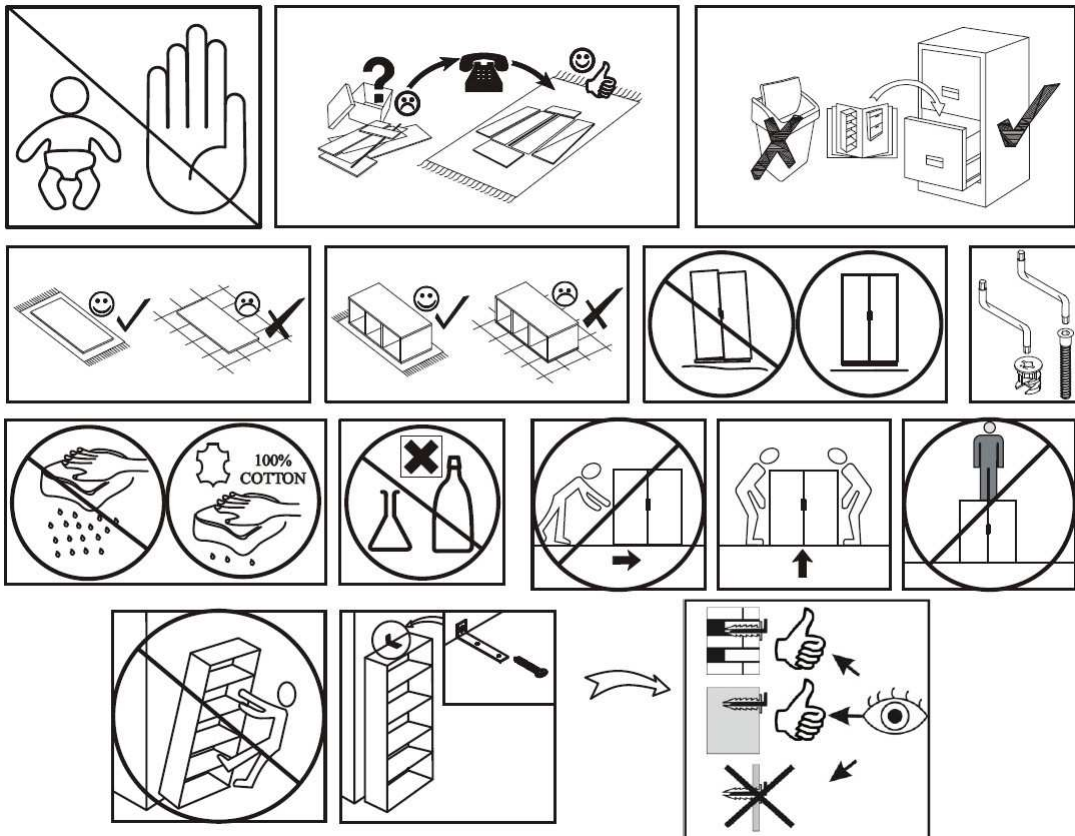
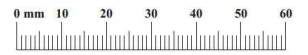
60-90 min

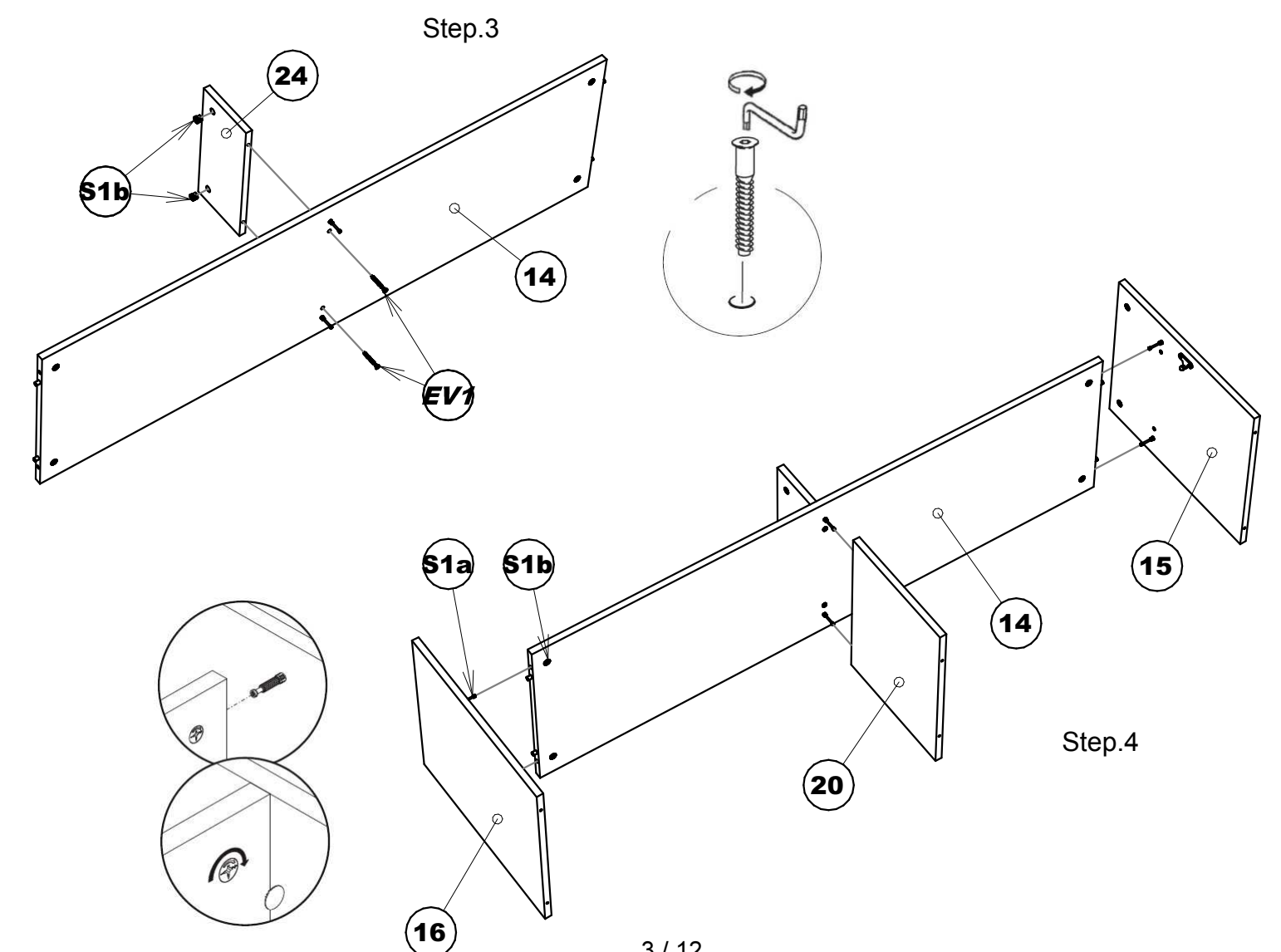
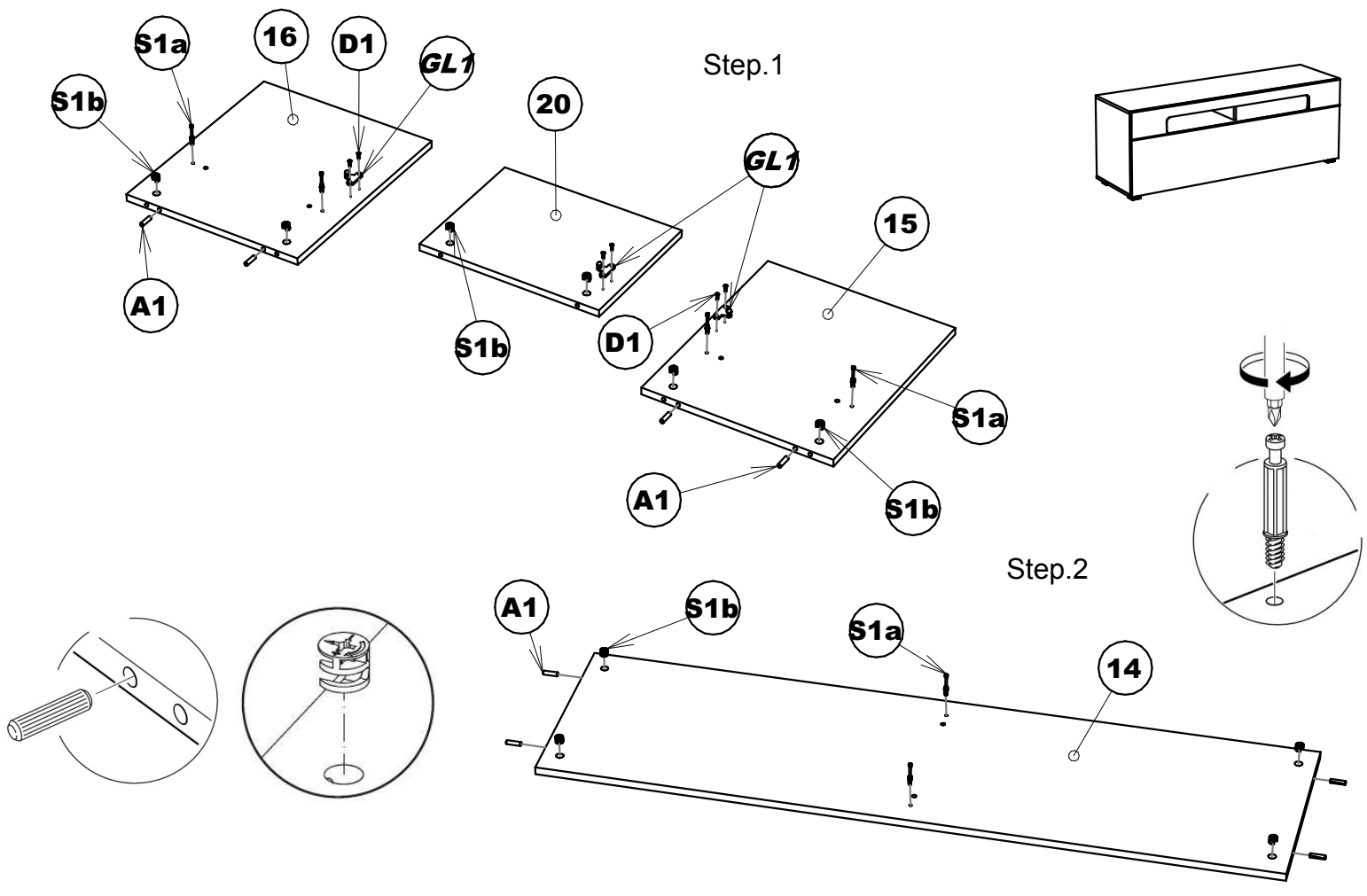


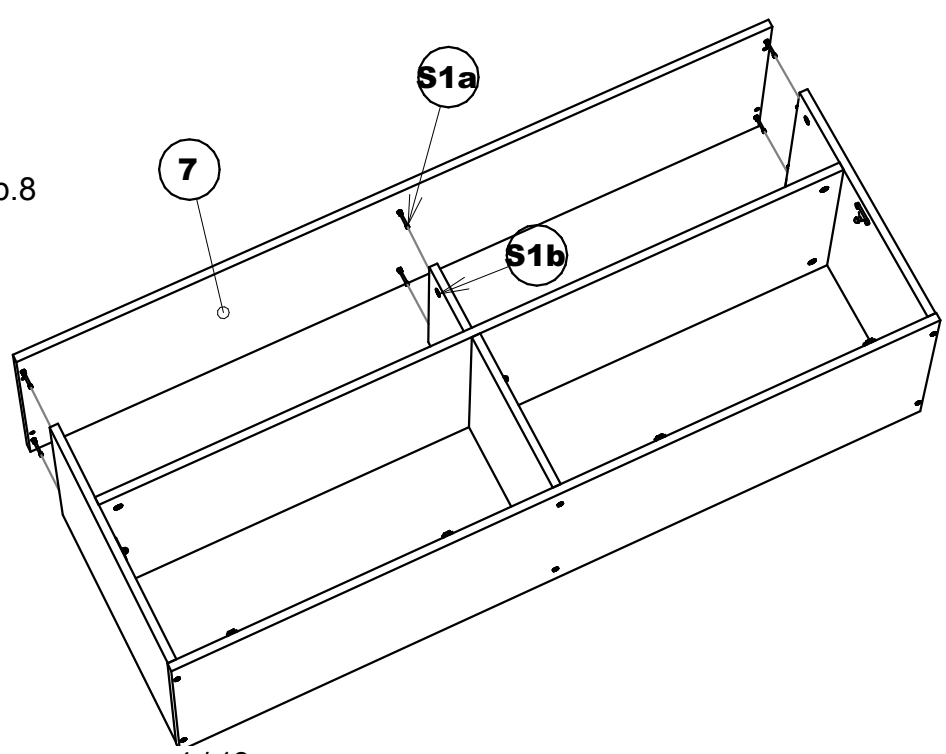
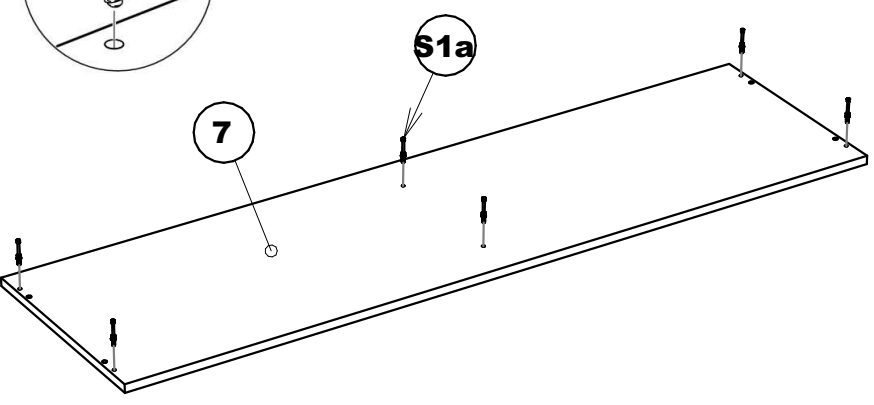
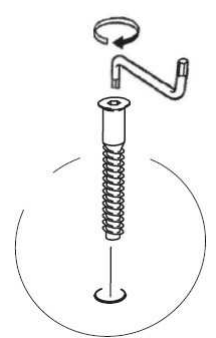
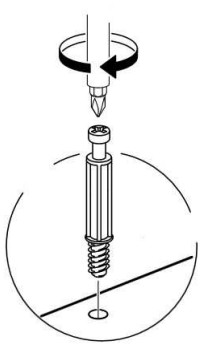
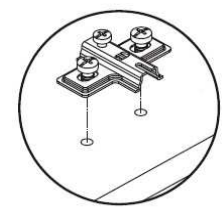
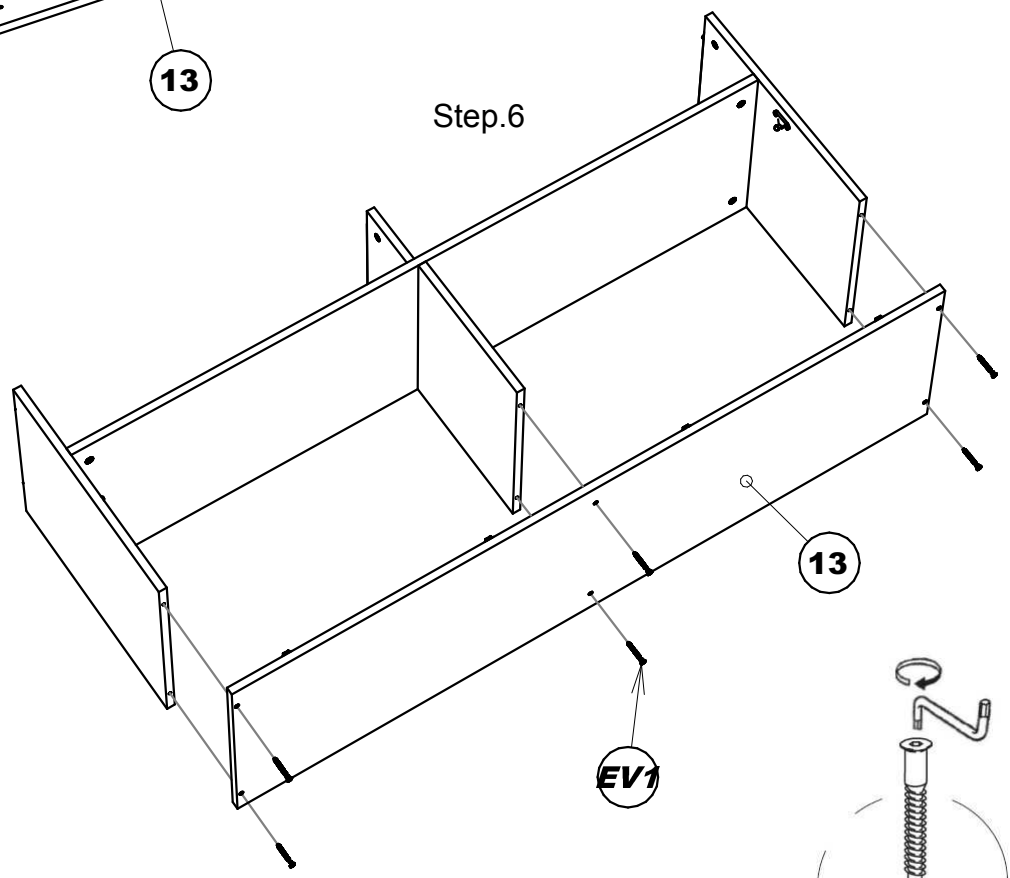
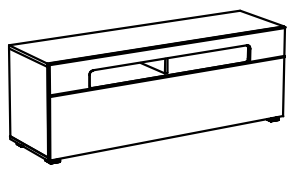
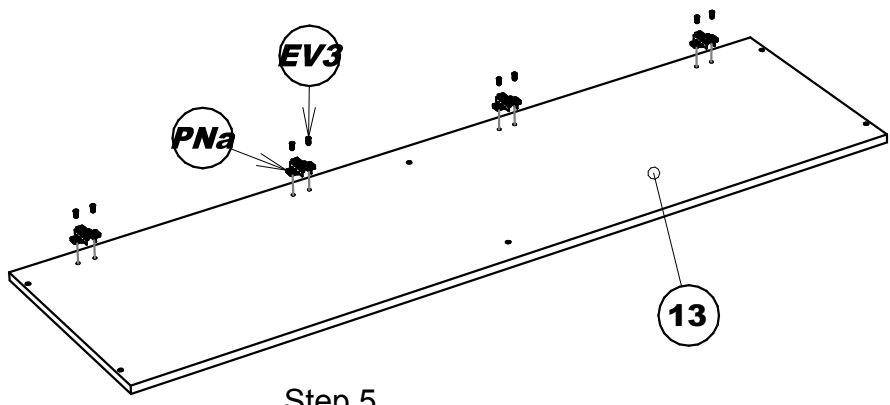
No	Dim		Qty
2	516	1496	16 1
3	995	346	16 2
5	346	495	16 1
6	1598	500	16 1
7	1500	420	16 1
8	500	343	16 1
9	498	180	16 3
10	2000	360	16 1
11	2000	360	16 1
13	1500	420	16 1
14	1466	420	16 1

No	Dim		Qty
15	488	420	16 1
16	488	420	16 1
17	500	360	16 1
20	318	420	16 1
21	318	360	16 3
22	318	343	16 1
23	318	343	16 1
24	154	340	16 1
26	1494	347	3 1
27	997	346	3 2

KS4 x1 S4		S1a x28 a		S1b x28 b		A1 x24 Ø8x30	
EV1 x25 7x50		D1 x33 3,5x16		ZS x28 Ø18		EV3 x20 6,3x13	
GV x80 1,6x25		D4 x6 4x30		R4 x3 C-24 (128)		NZ x3	
PN x10		OP2 x9		GL2 x2 a, b, c		GL1 x3	
D3 x36 3,5x30		AS x8		M1 x2		KR x3	





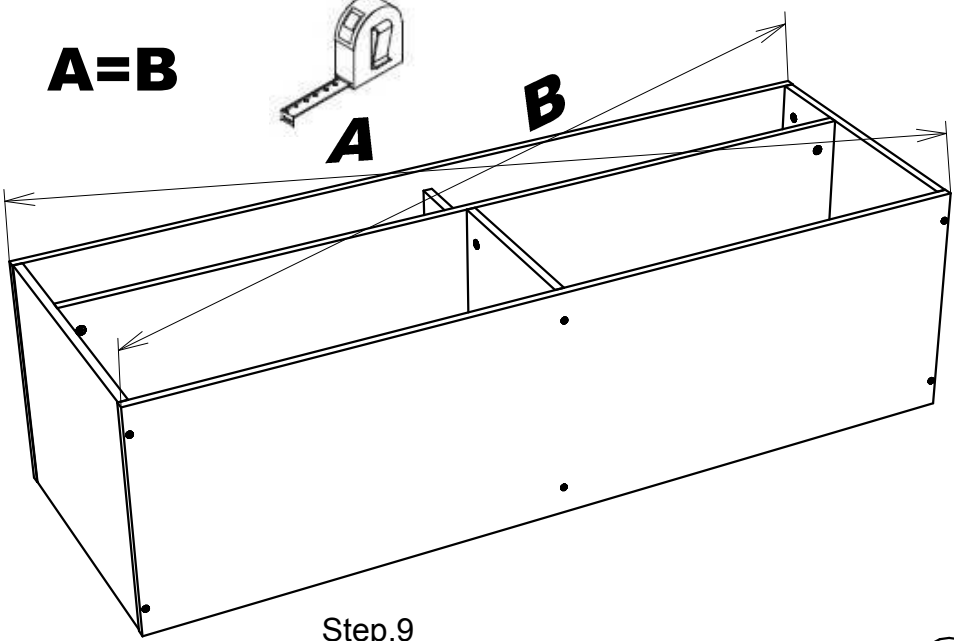


A=B

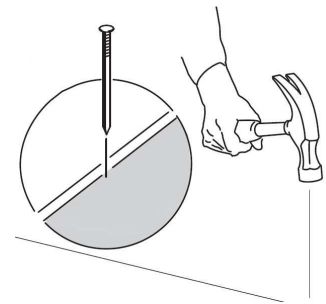
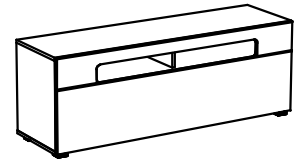


A

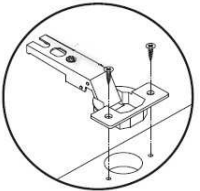
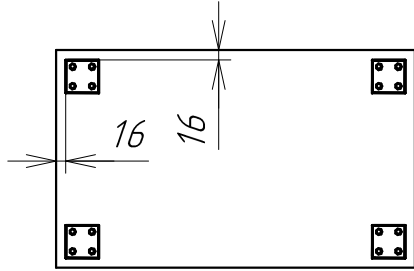
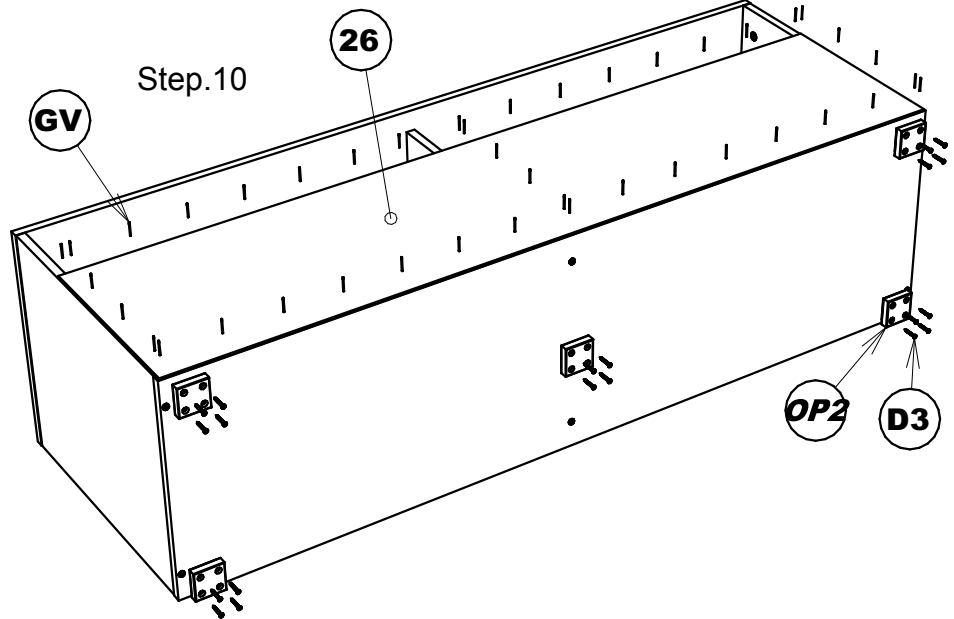
B



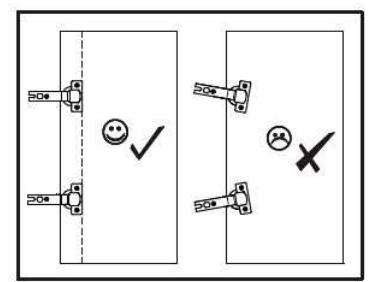
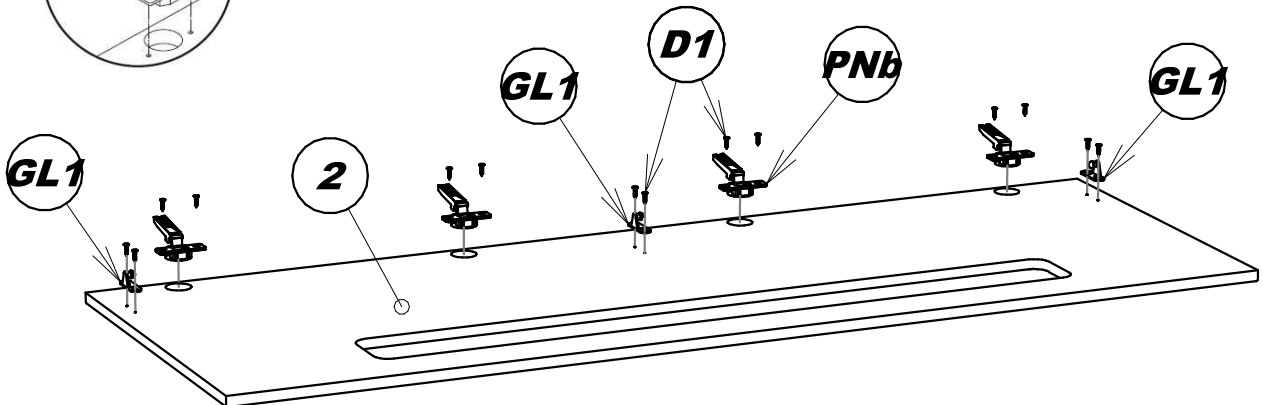
Step.9



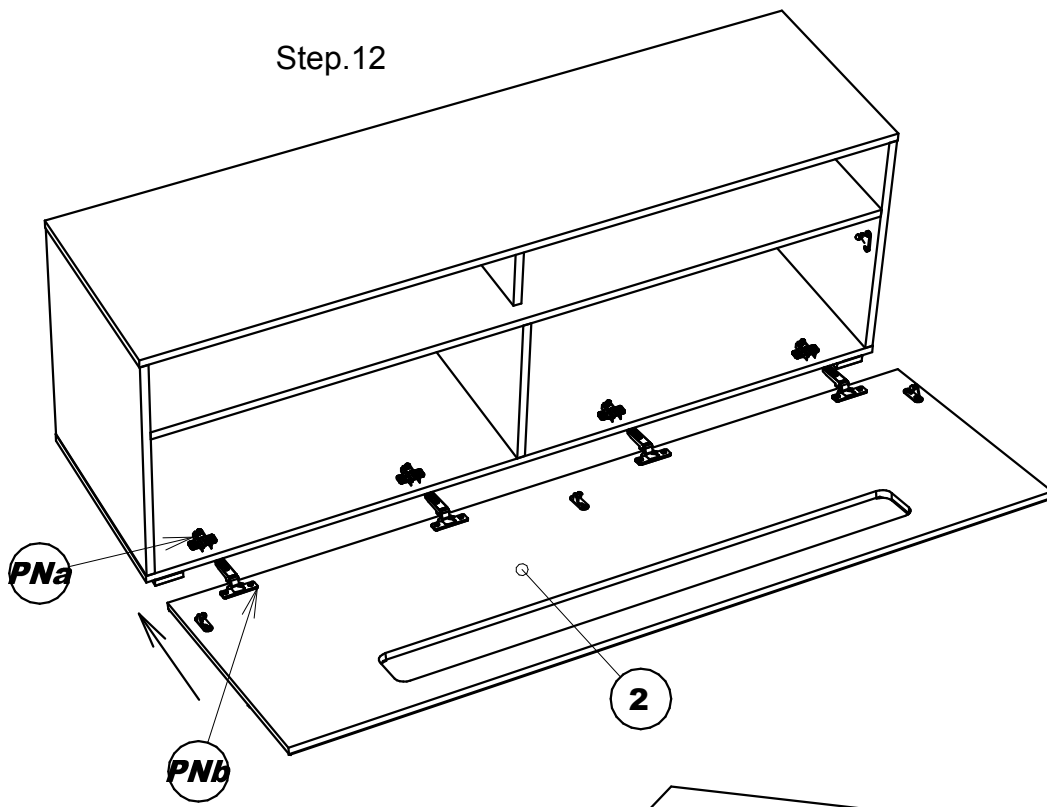
Step.10



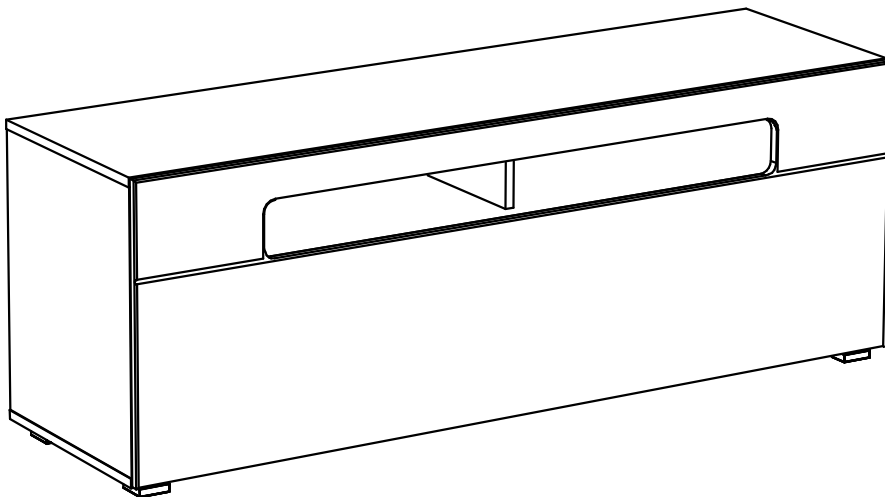
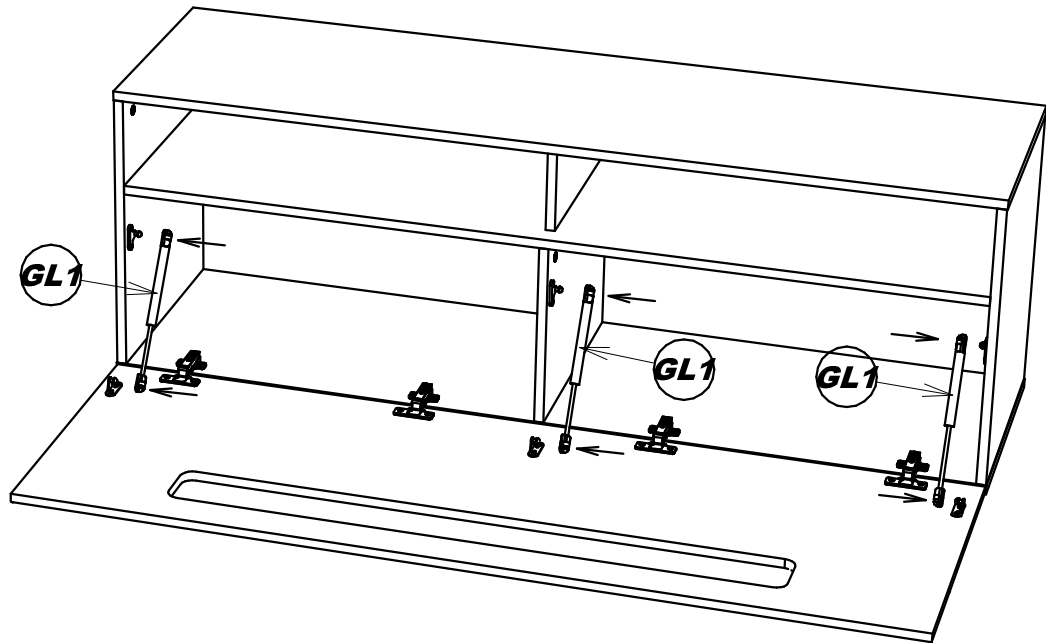
Step.11



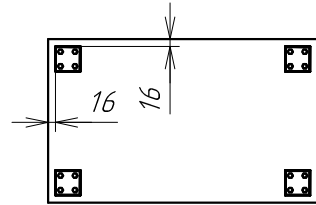
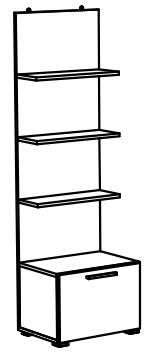
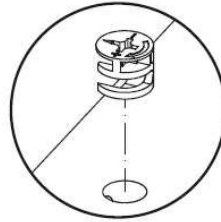
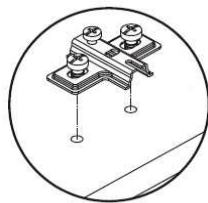
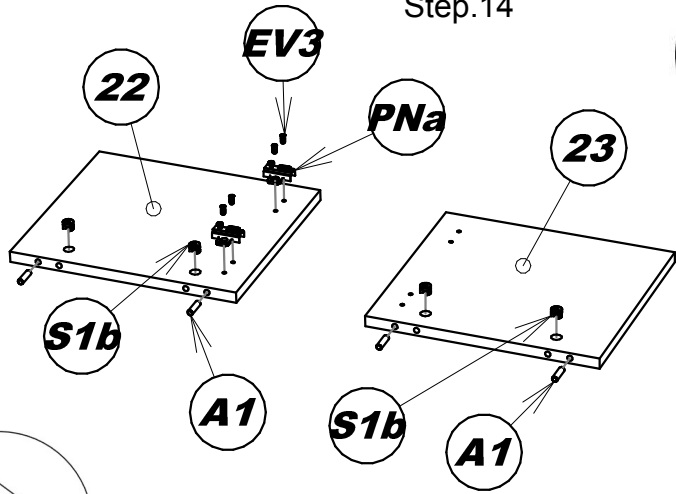
Step.12



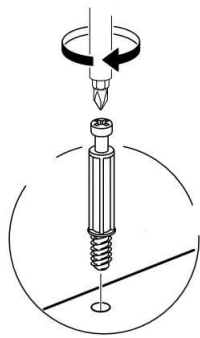
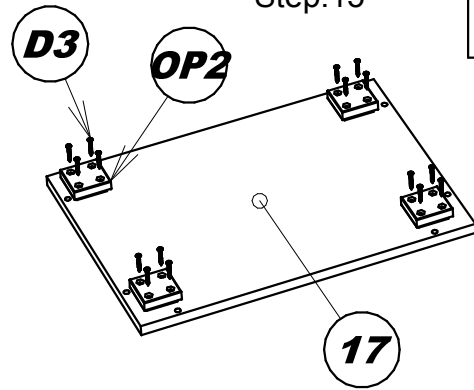
Step.13



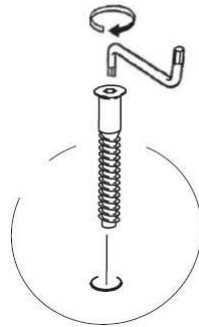
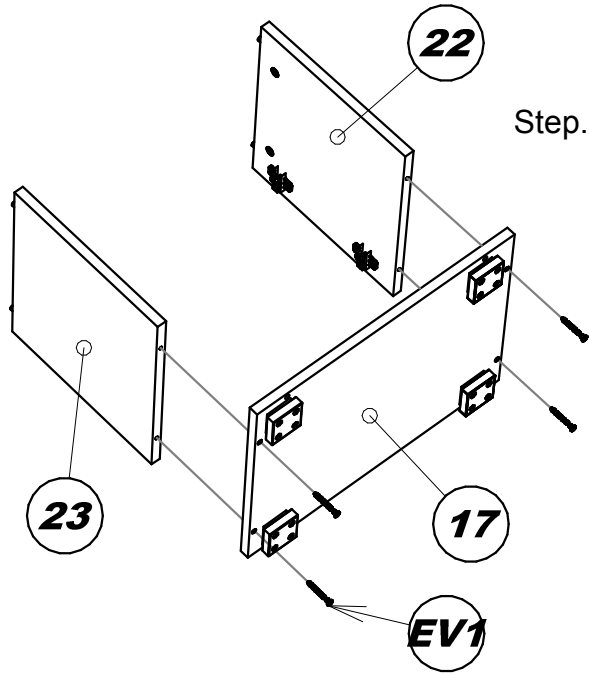
Step.14



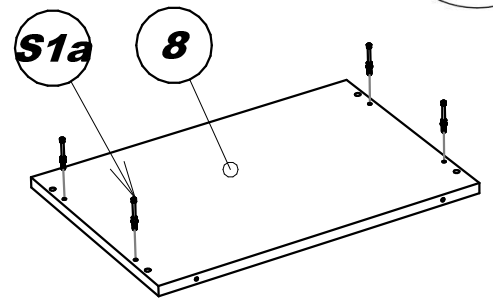
Step.15



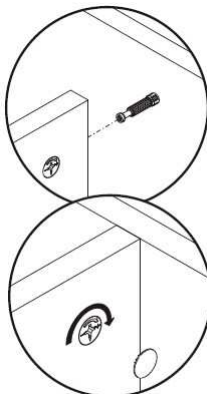
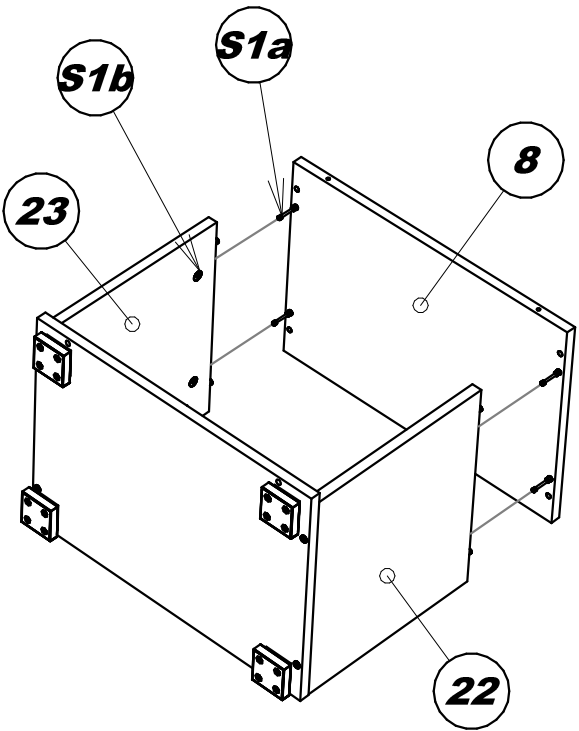
Step.16



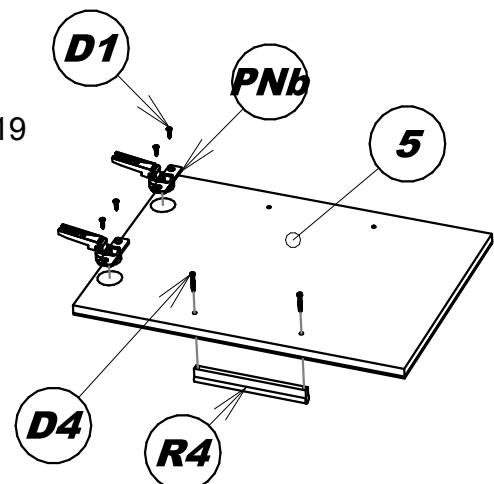
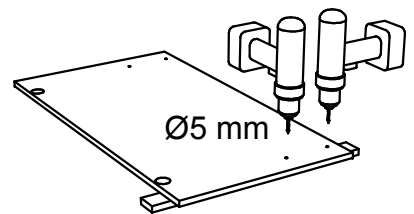
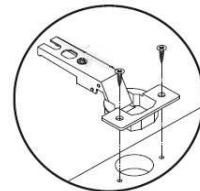
Step.17

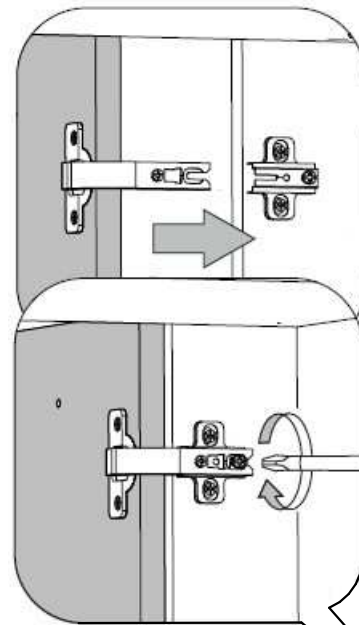
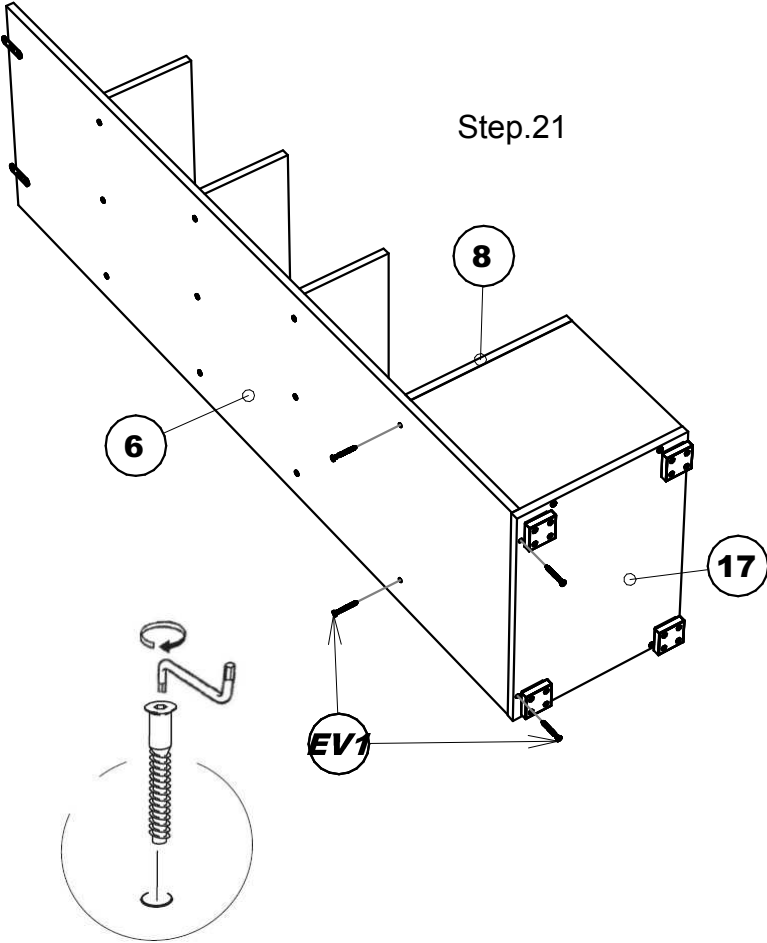
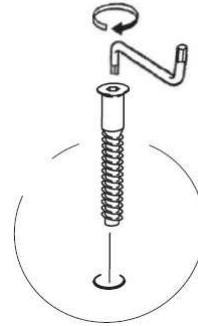
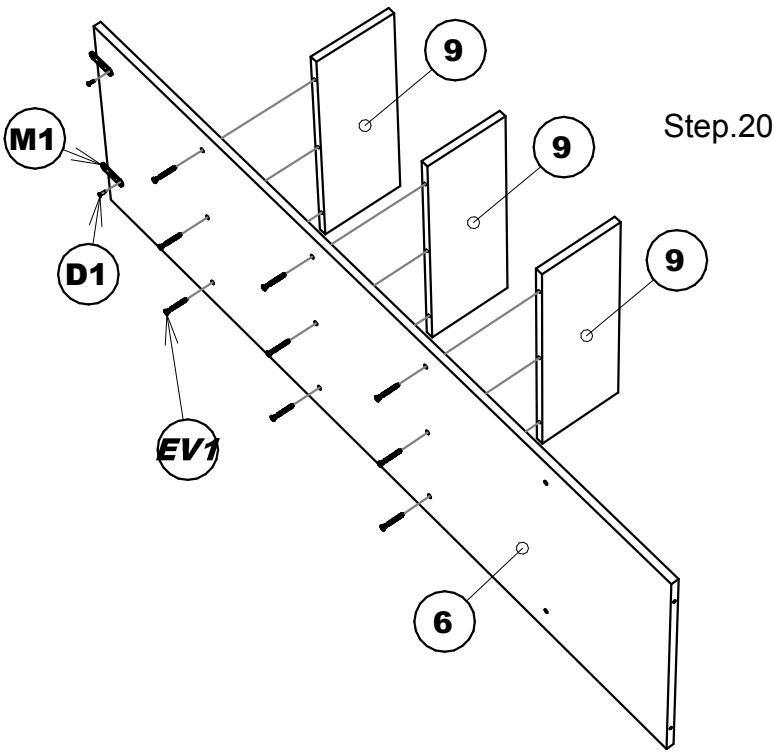
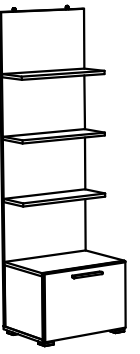


Step.18

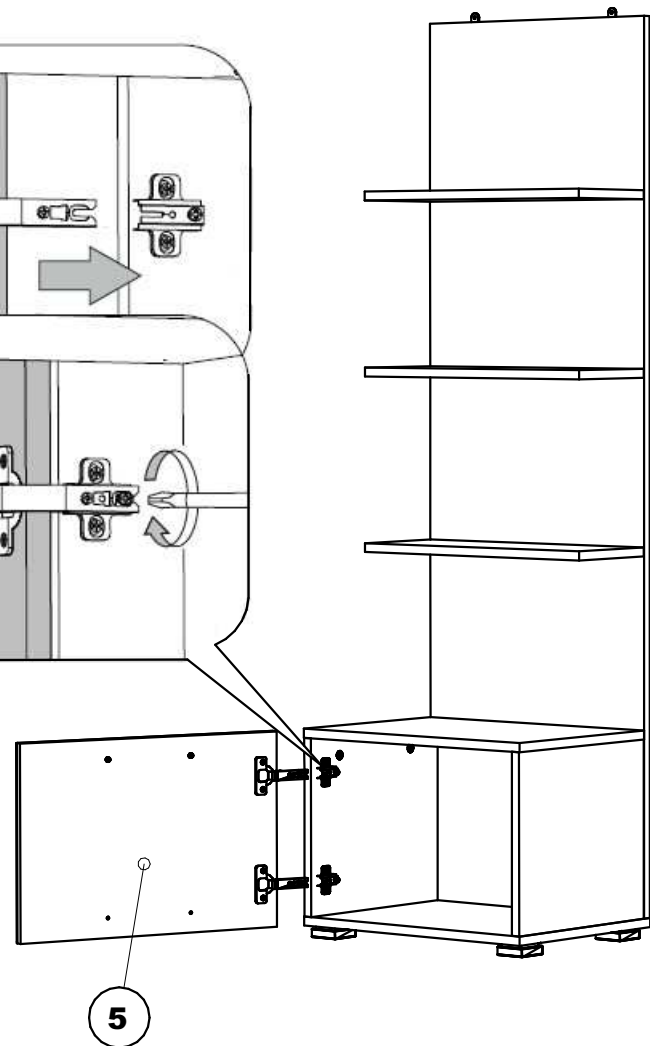


Step.19

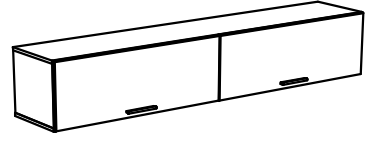
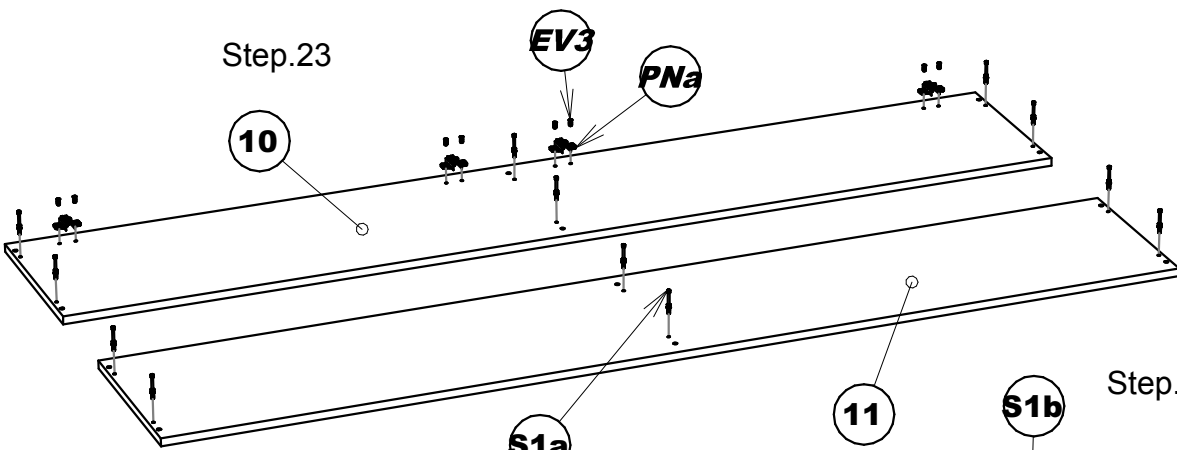




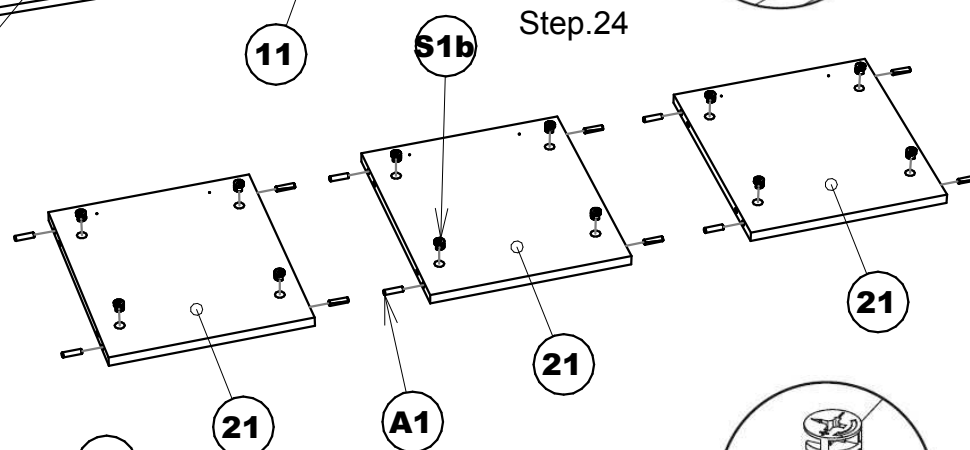
Step.22



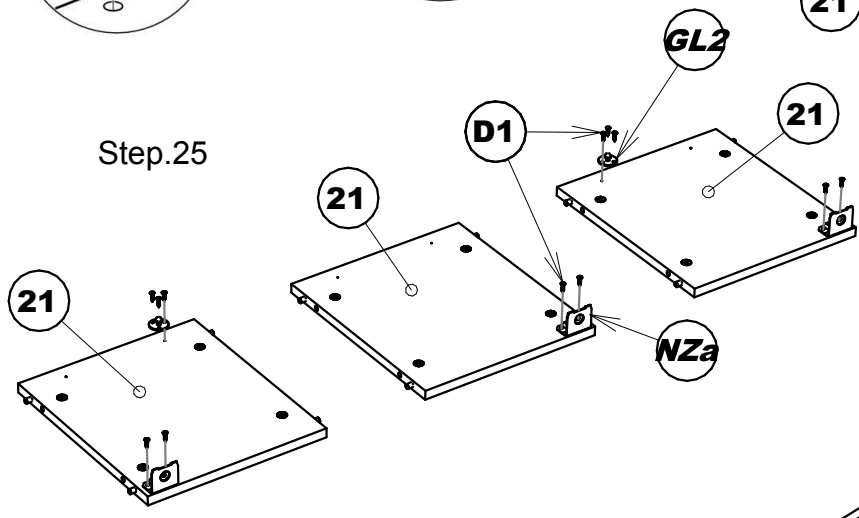
Step.23



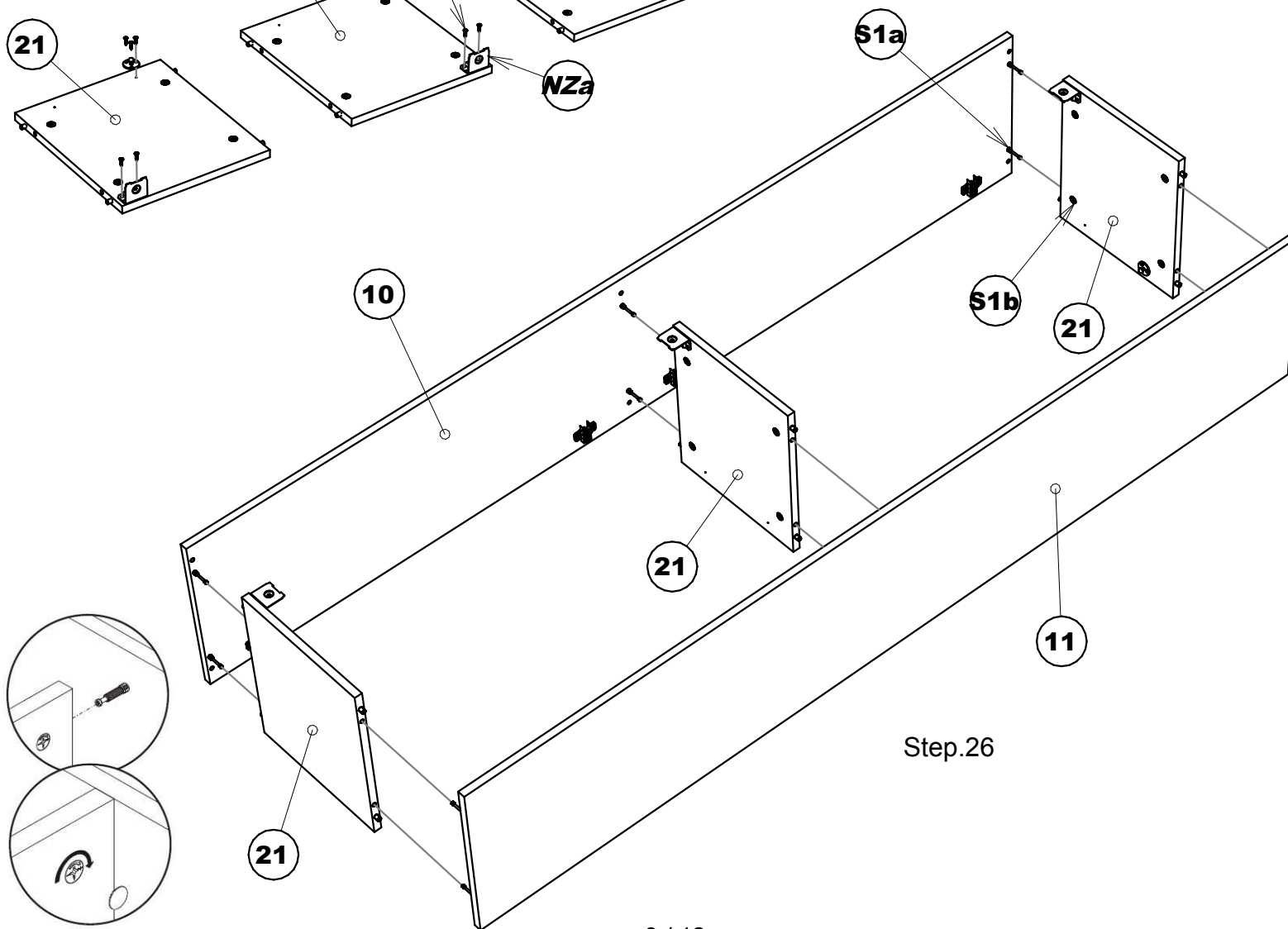
Step.24

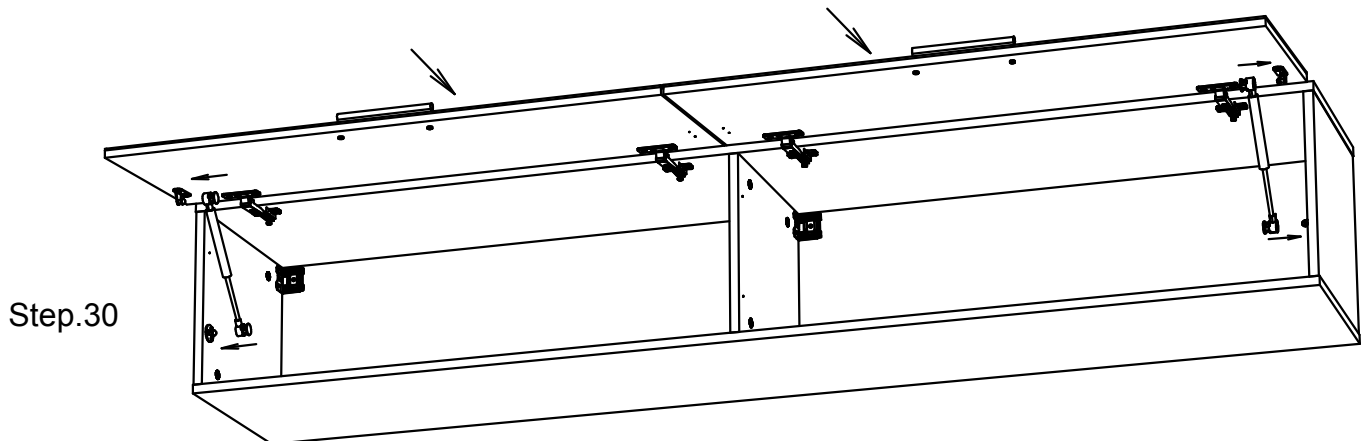
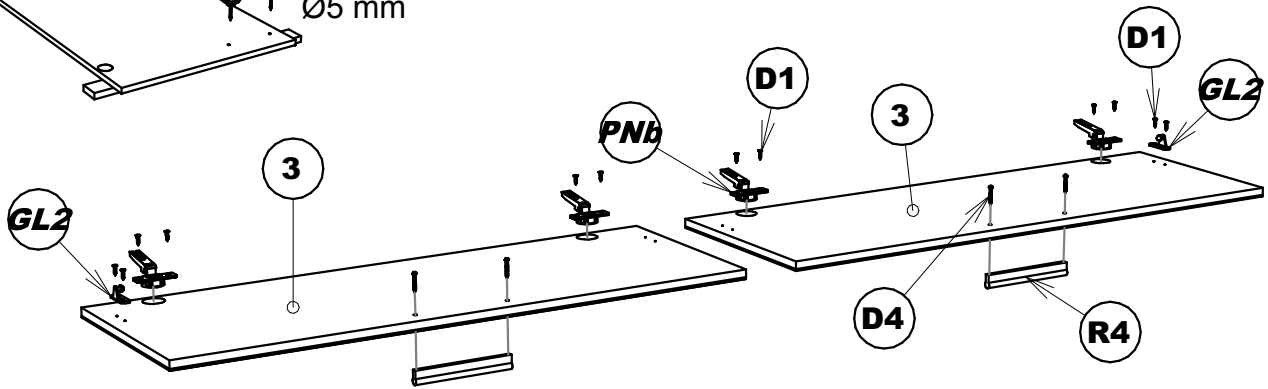
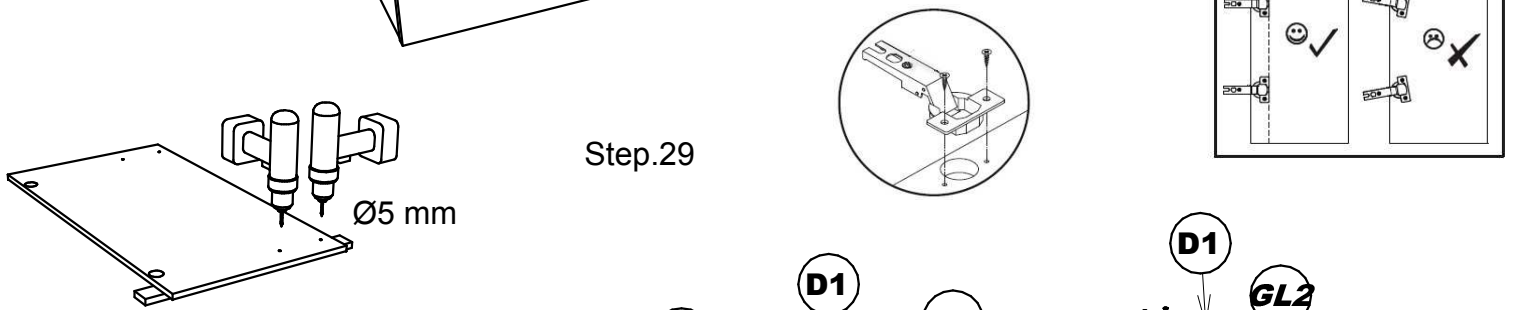
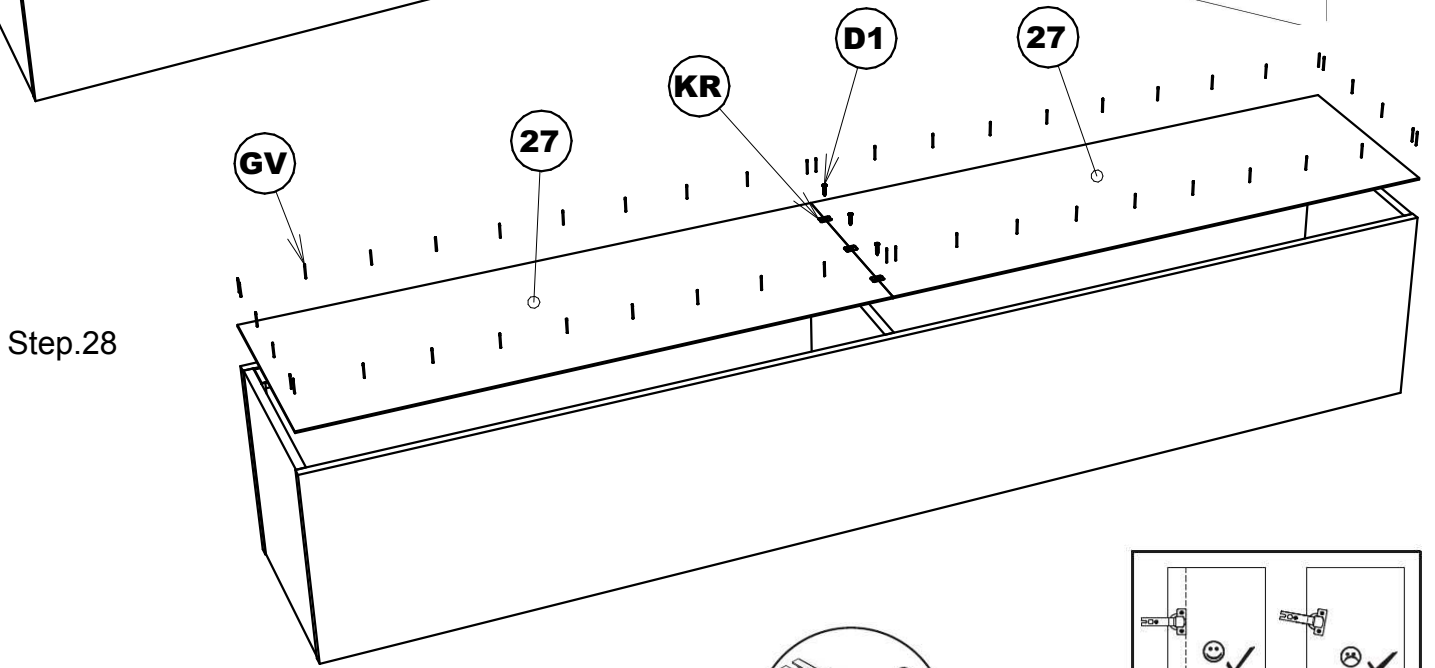
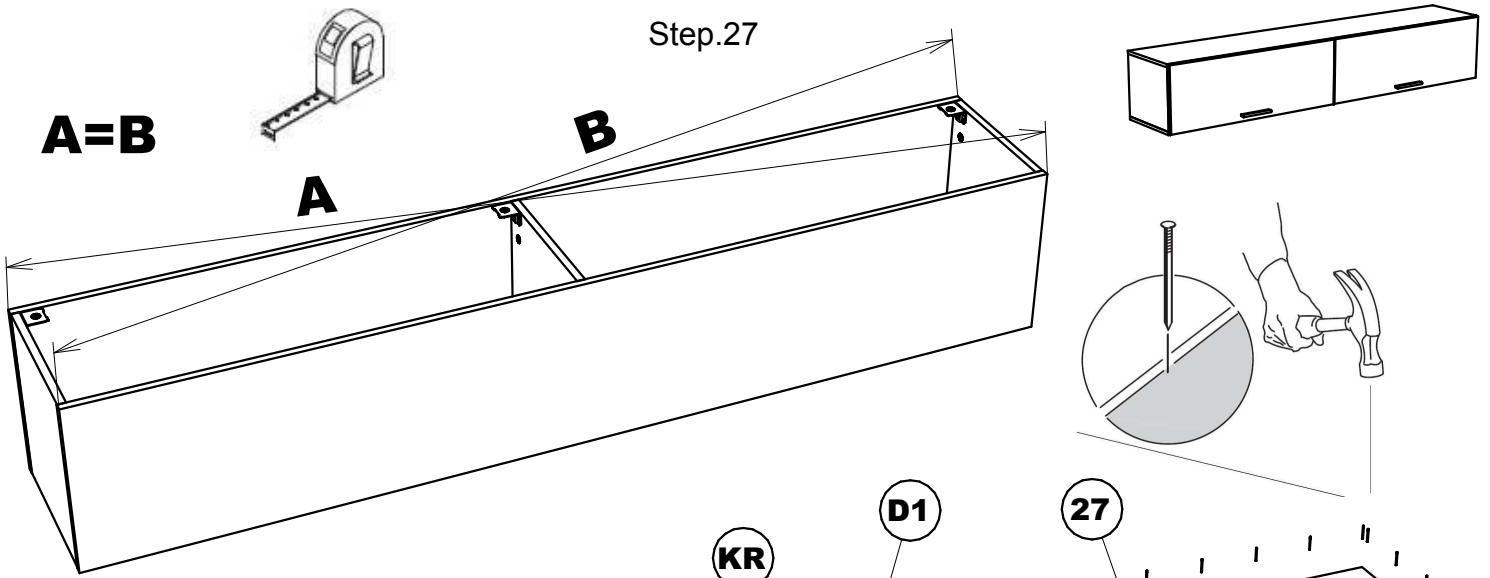


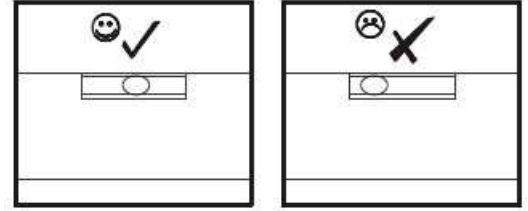
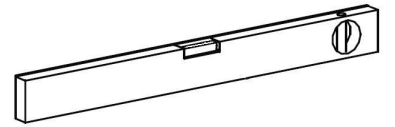
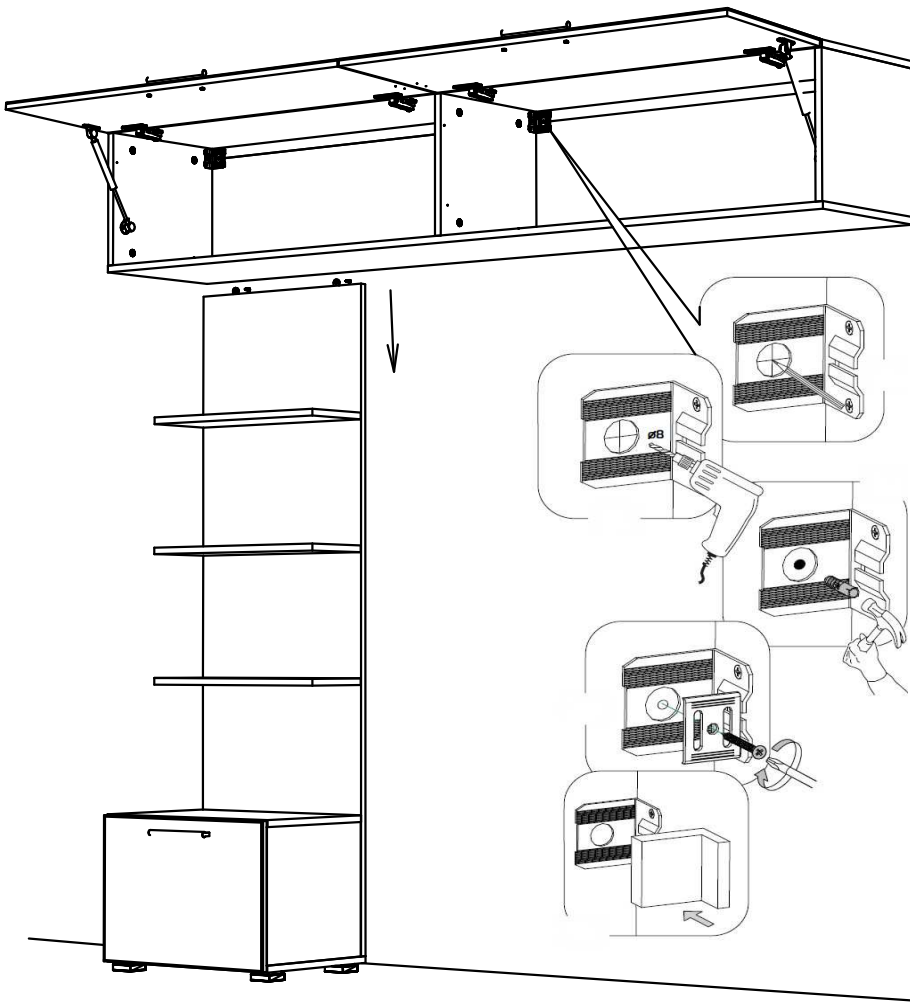
Step.25



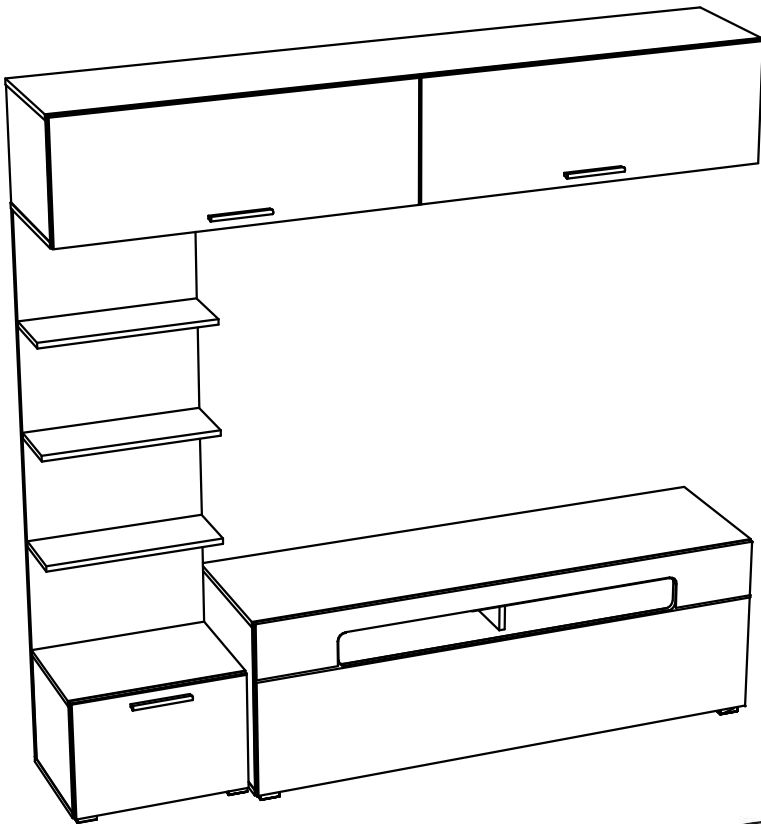
Step.26



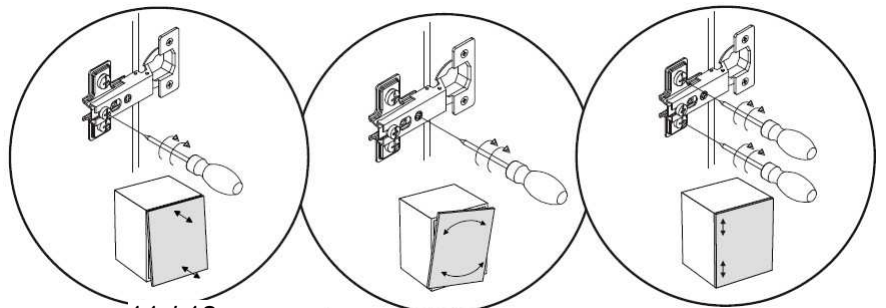
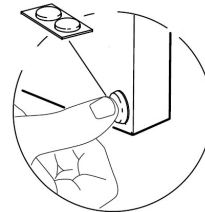


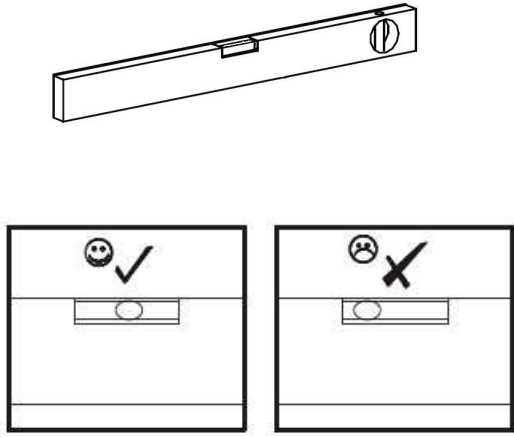


Step.31-L

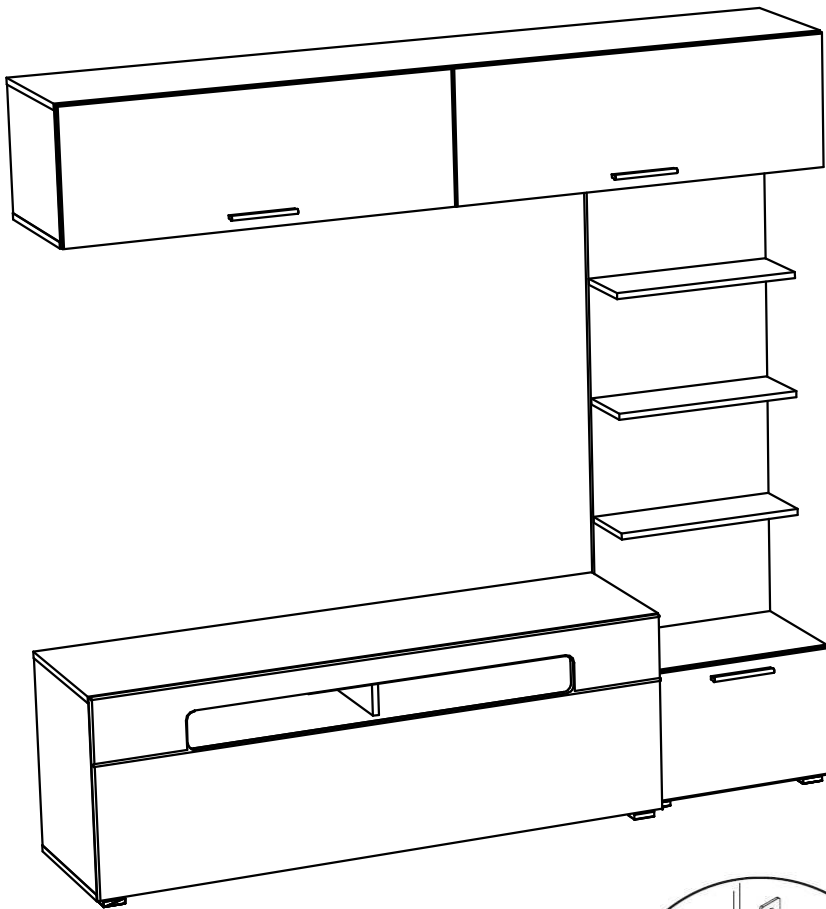
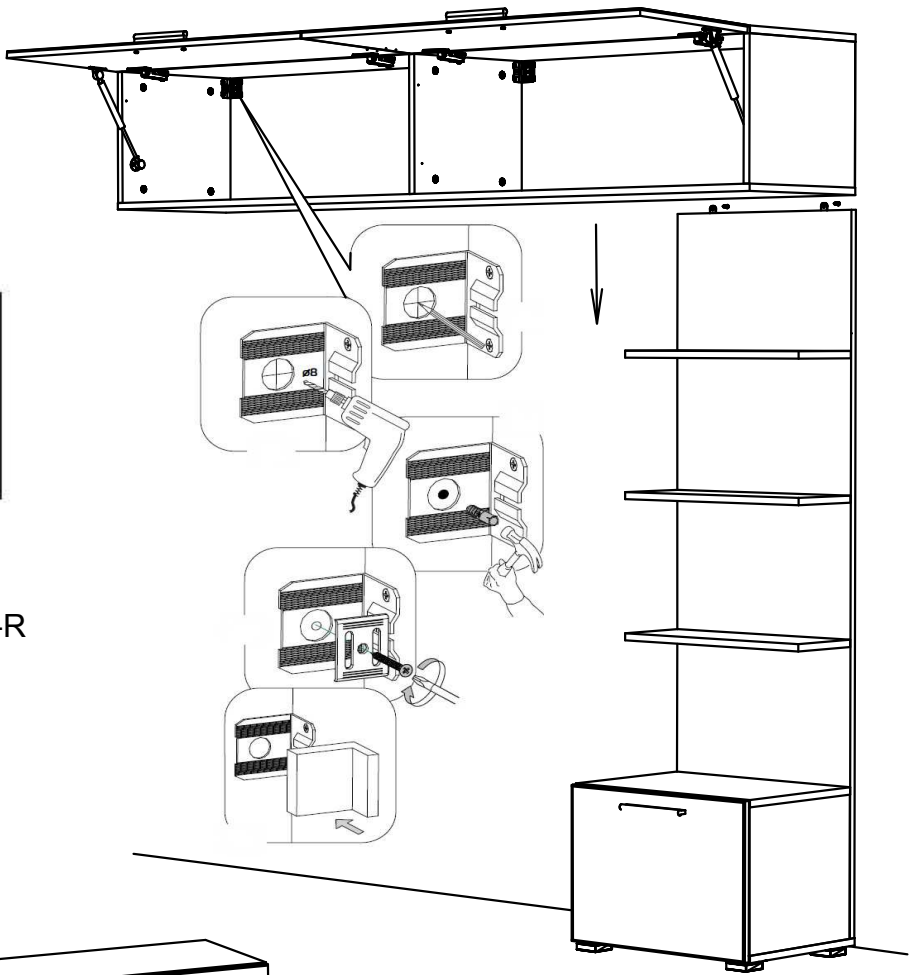


Step.32-L





Step.31-R



Step.32-R

