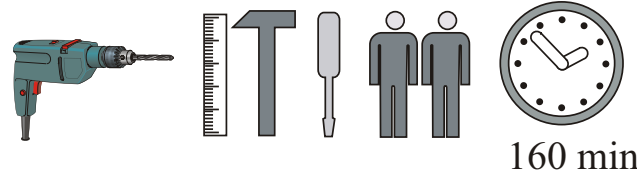
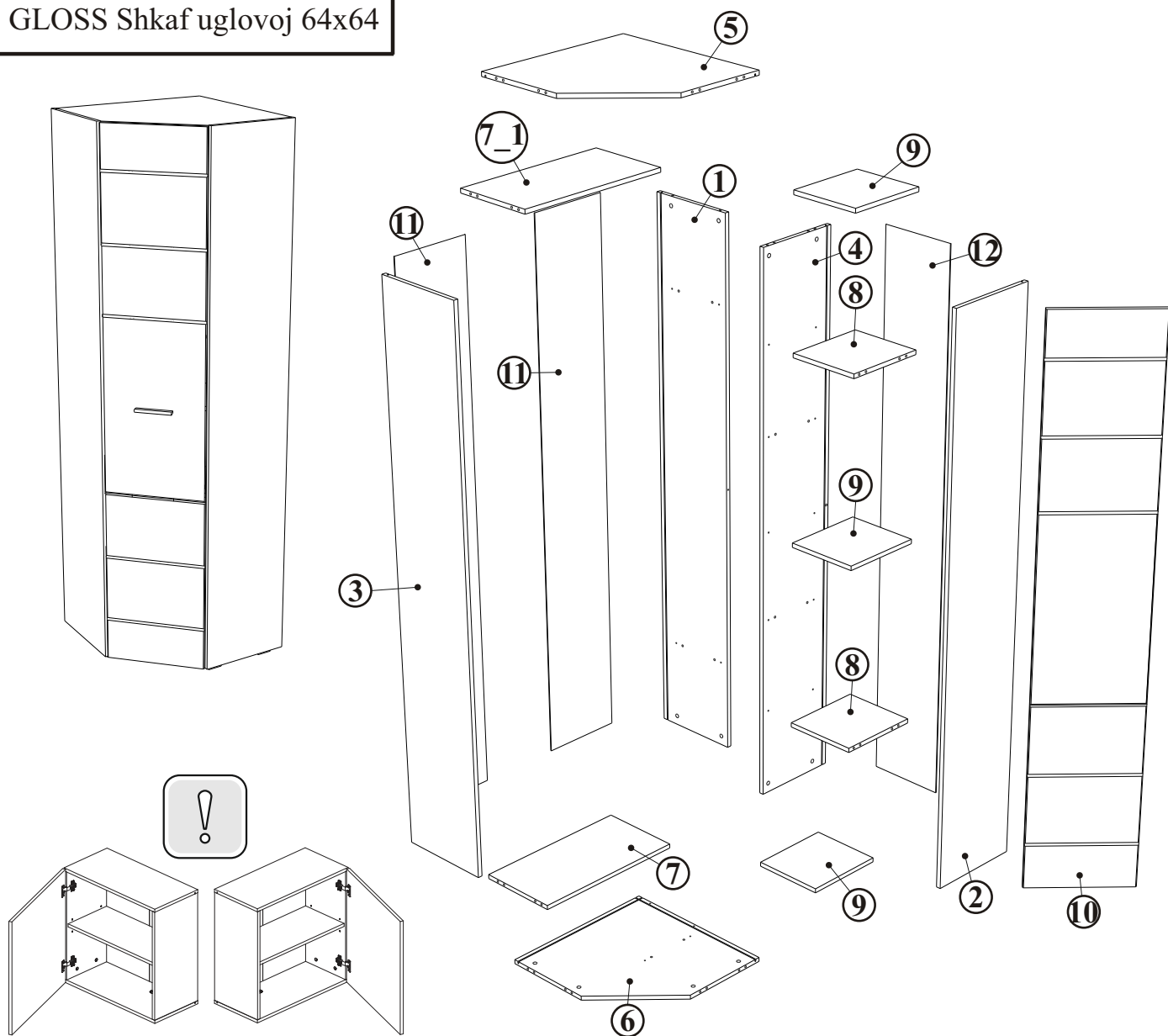
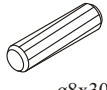
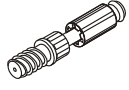


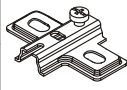
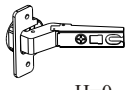
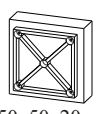

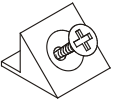
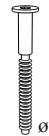
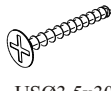


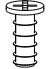

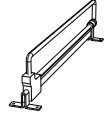

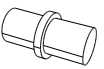


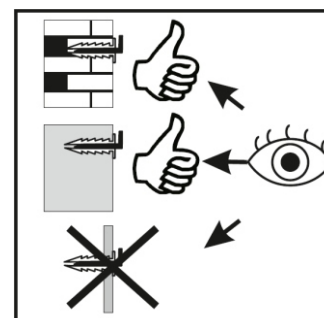
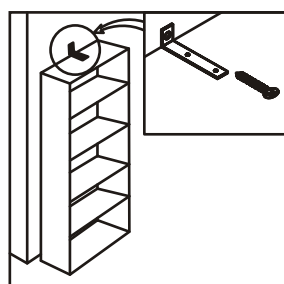
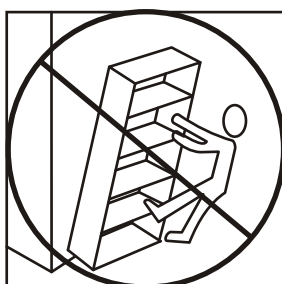
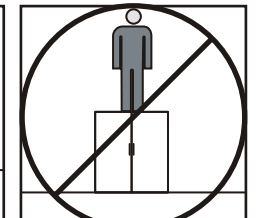
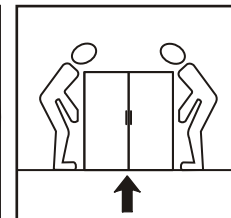
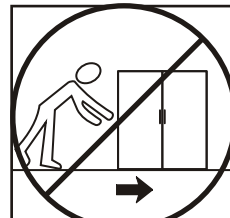
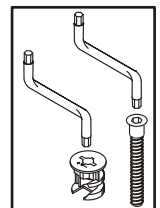
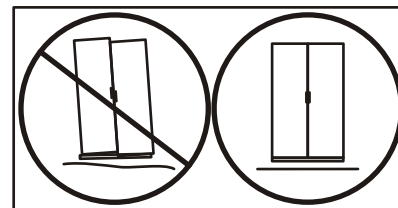
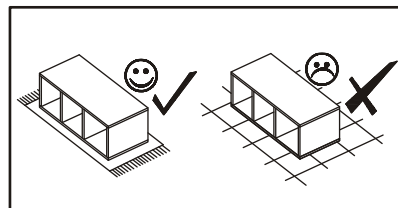
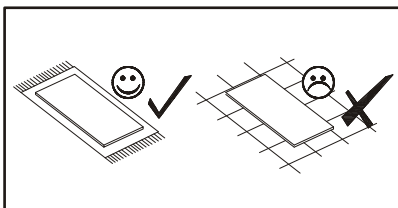
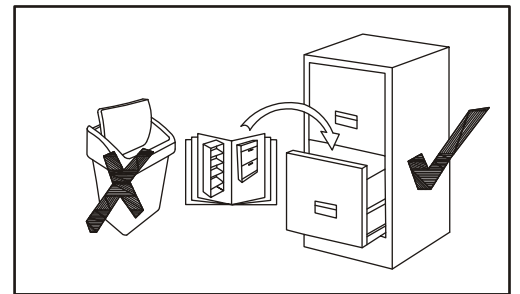
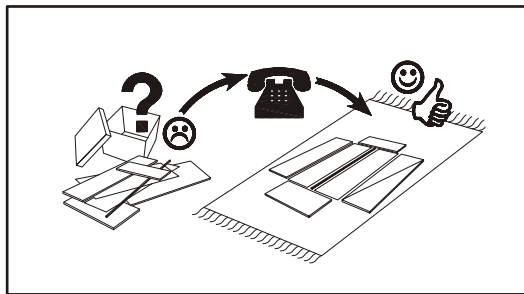
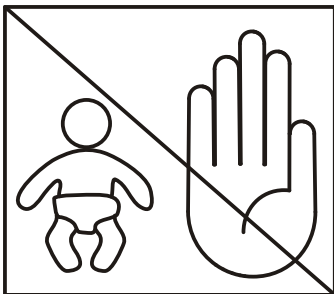
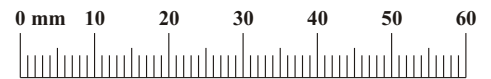
GLOSS Shkaf uglovoj 64x64



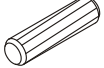
NO	Dim.		Col.-No	Qty
1	1996	343	1	1
2	2030	360	1	1
3	2030	360	1	1
4	1996	342	1	1
5	624	624	1	2
6	624	624	1	2
7	607	321	1	2
7_1	607	321	1	2
8	265	321	2	2
9	263	321	3	2
10	2024	376	1	1
11	2009	308	2	1
12	2009	278	1	1

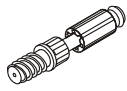
GLOSS Shkaf uglovoj 64x64

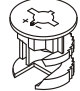
A1 x28  ø8x30	B4 x32 	B5 x32  ø15x12	G5 x32 	E2 x4  H=0	E21 x4  H=0
T1 x5  50x50x20mm	BO1 x1  128mm	S1 x22 	ZX x1  ø7x50	KR2 x20  USØ3,5x30	D10 x12  USØ3,5x16
G2 x1 	E1 x8  ø6,3x13	O1 x2  UsØ4x30	K1 x1 	L1 x1 	F1 x12 

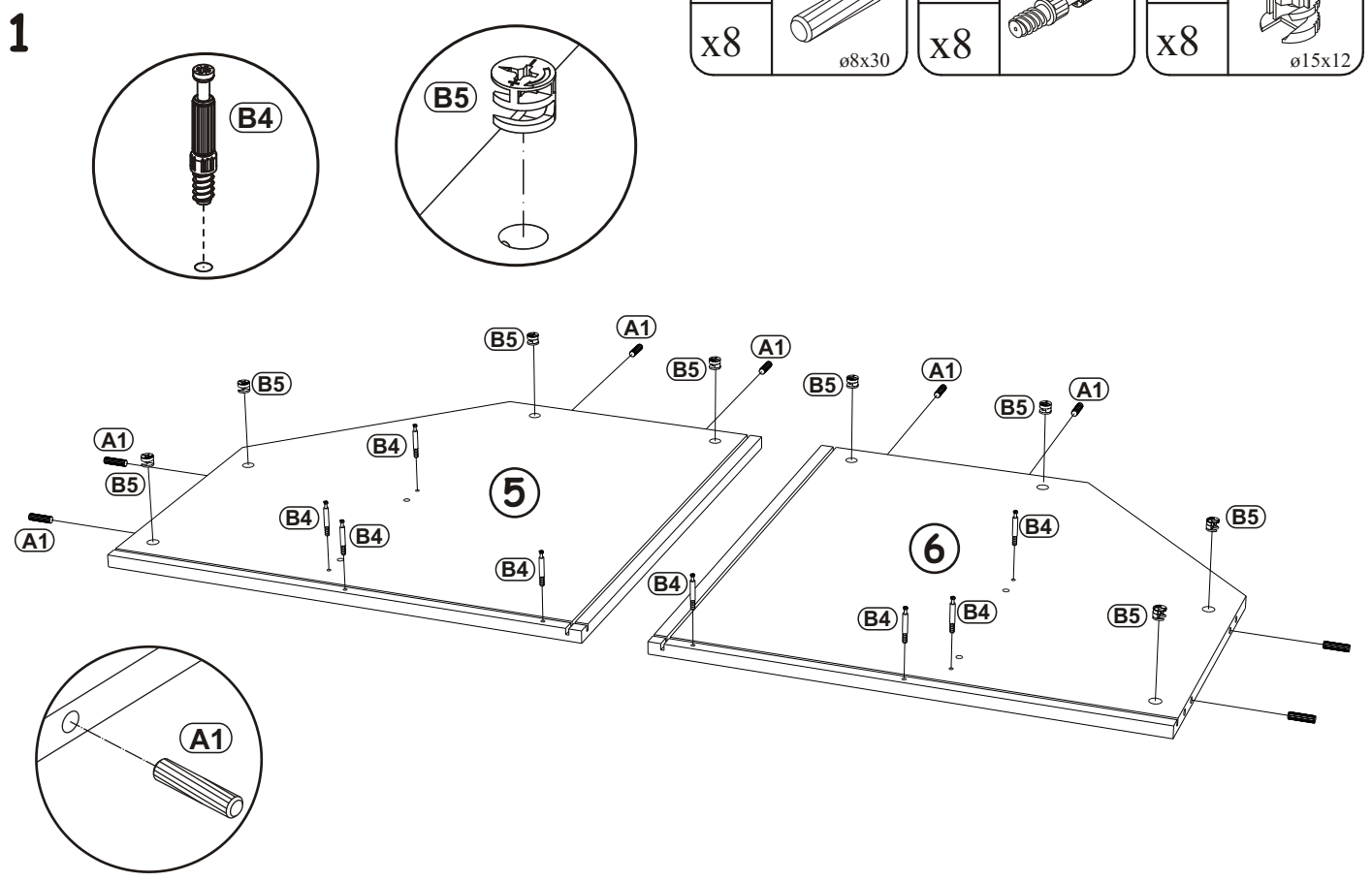


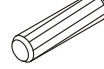
GLOSS Shkaf uglovoj 64x64

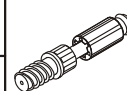
A1	
x8	ø8x30


B4	
x8	

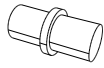
B5	
x8	ø15x12

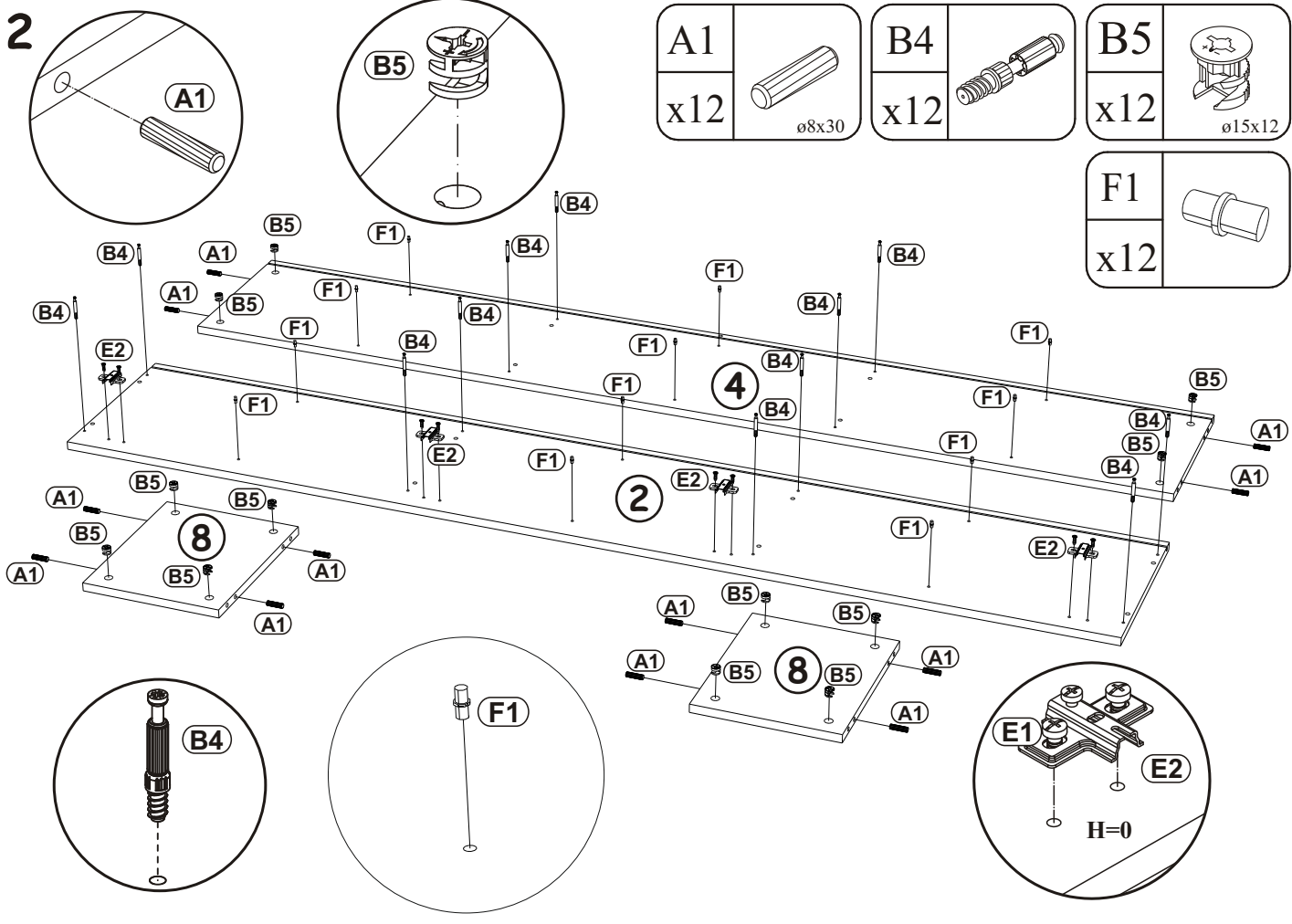


A1	
x12	ø8x30

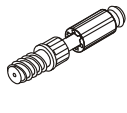
B4	
x12	

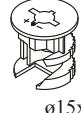
B5	
x12	ø15x12

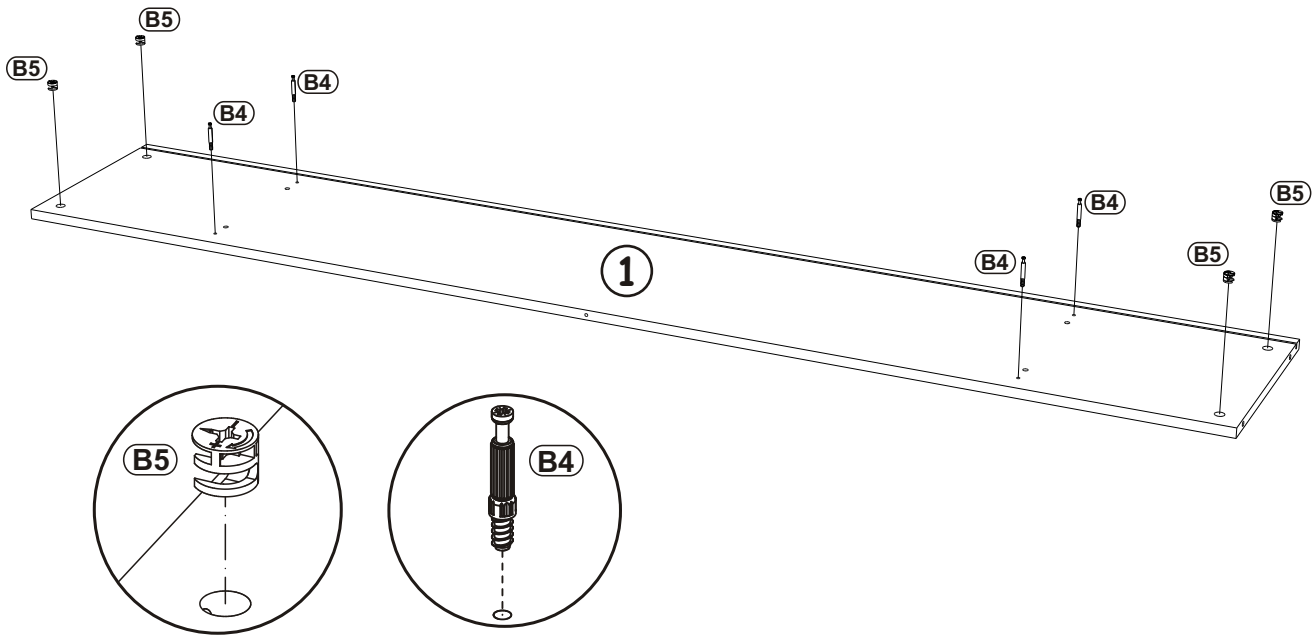
F1	
x12	




3


B4	
x4	

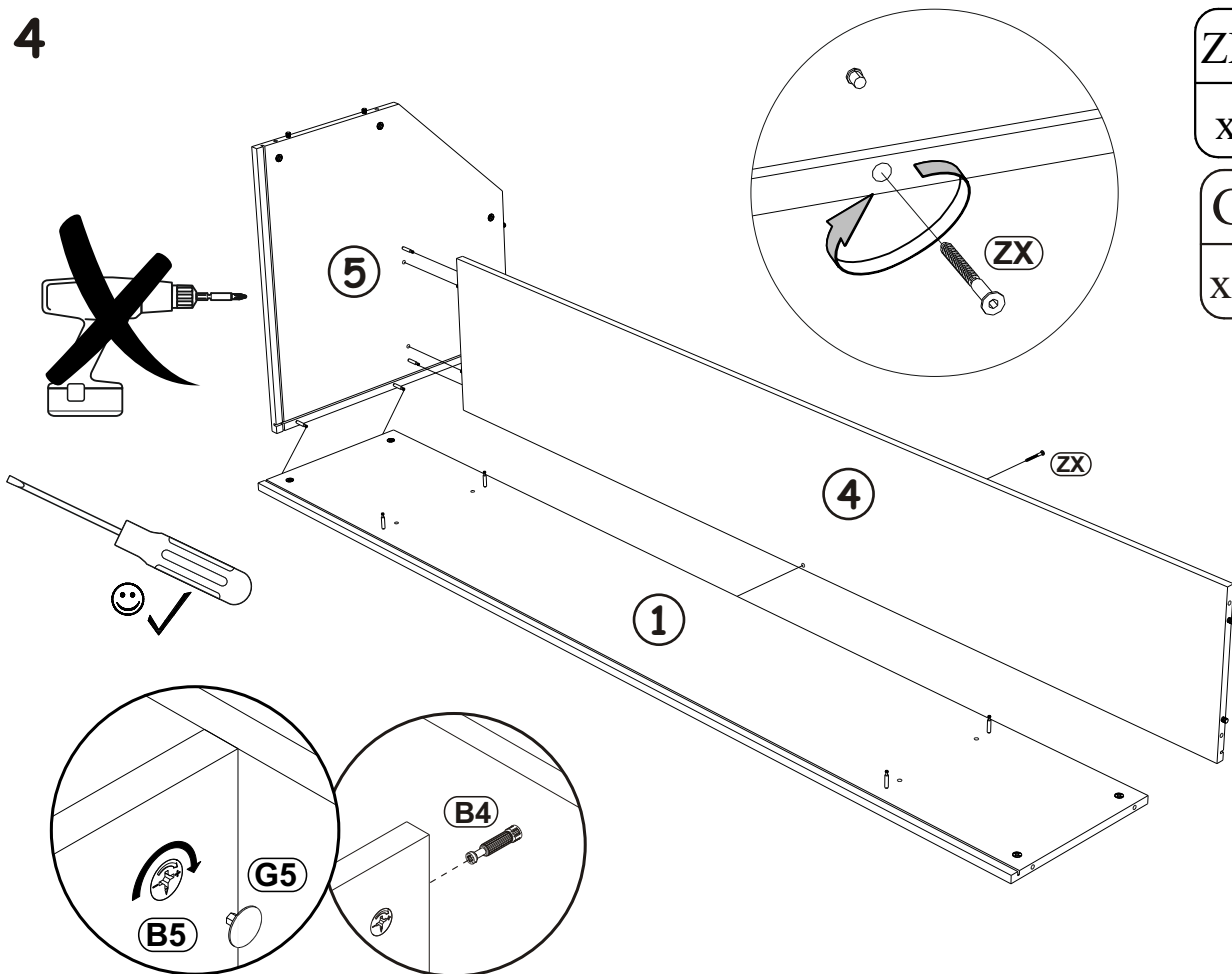
B5	
x4	ø15x12



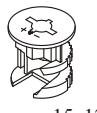
4


ZX	
x1	ø7x50

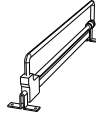
G5	
x2	

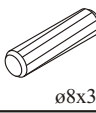


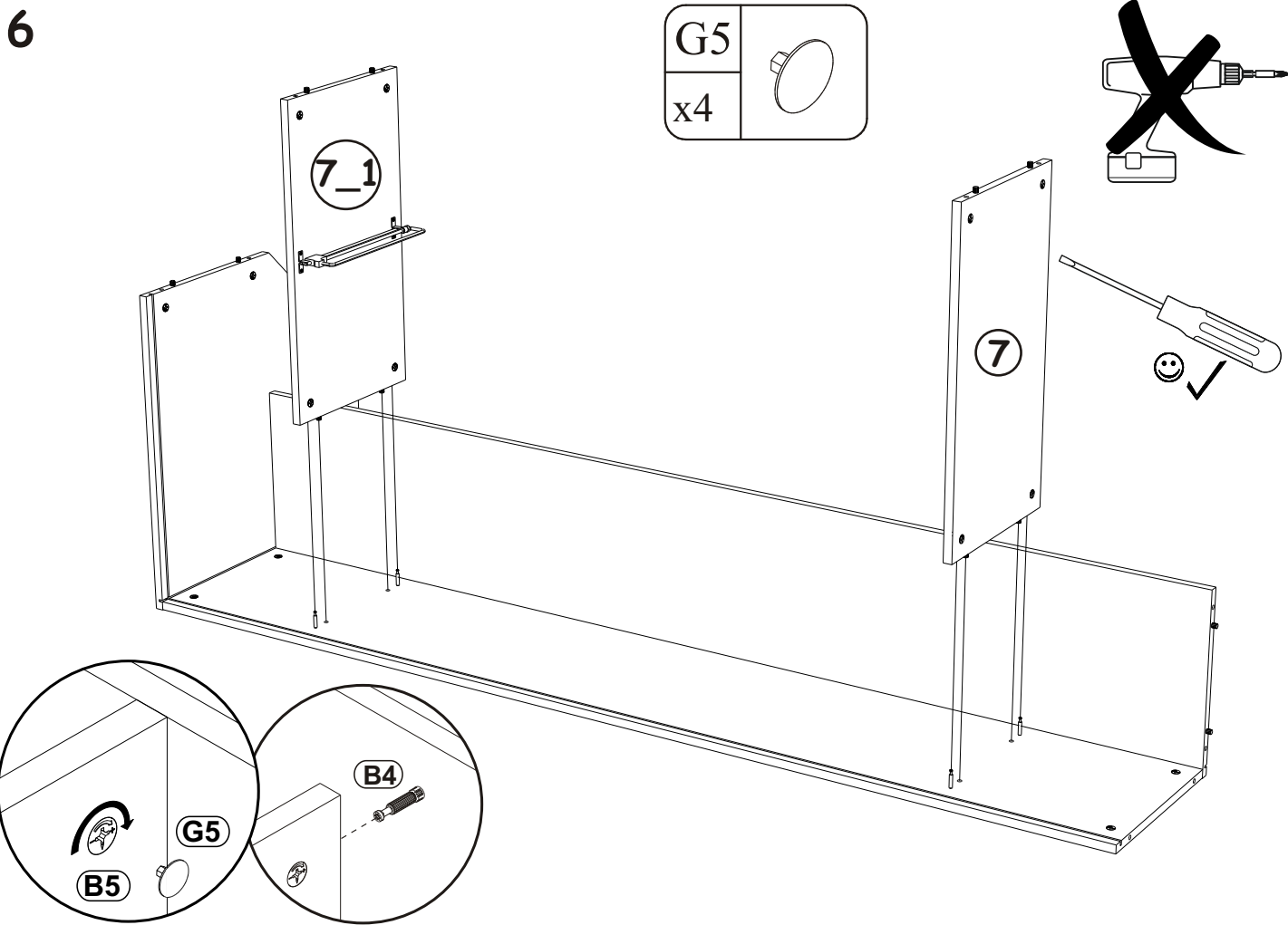
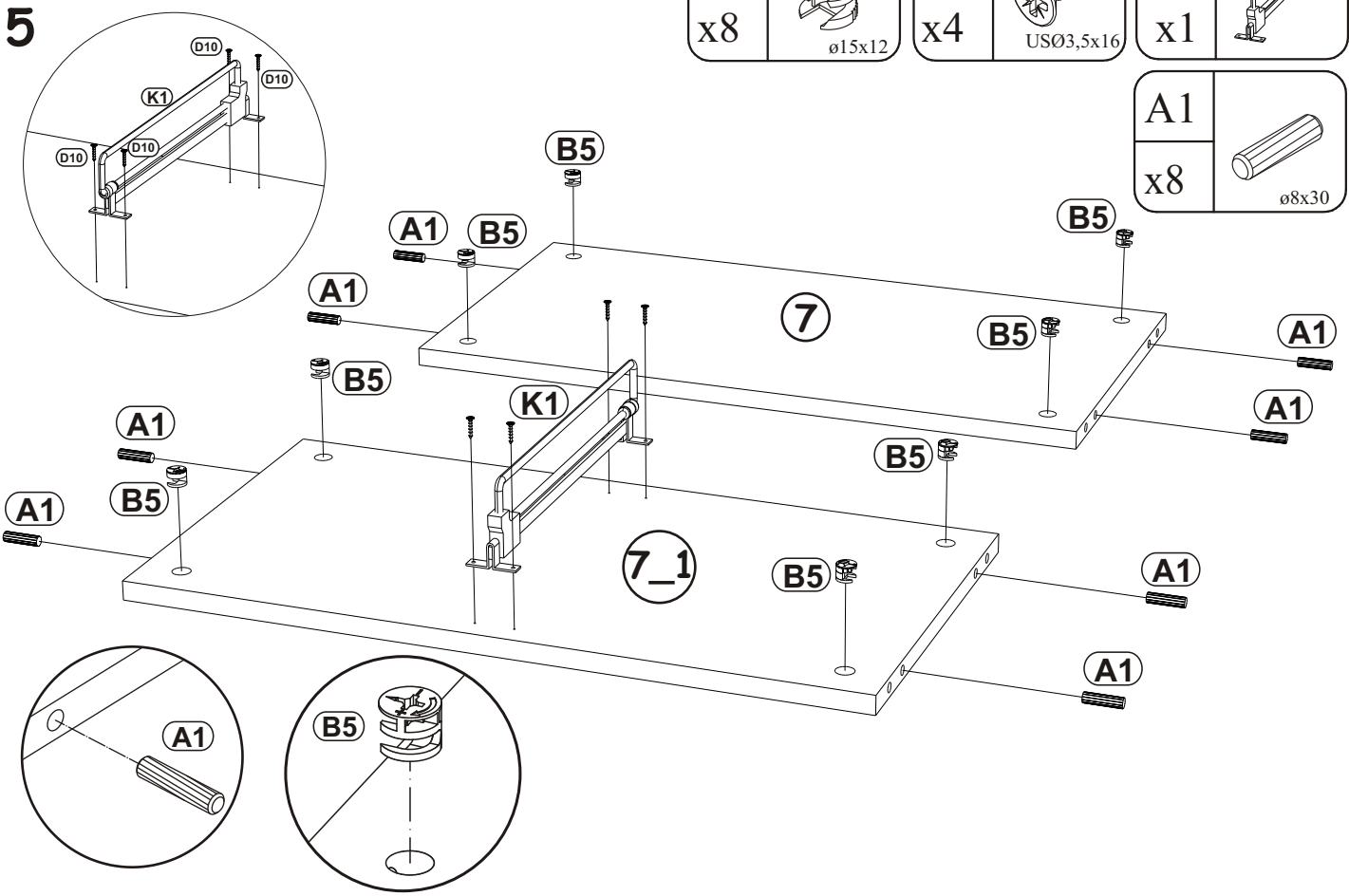
GLOSS Shkaf uglovoj 64x64

B5	
x8	ø15x12

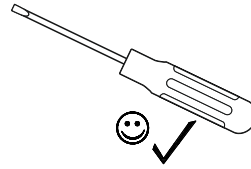
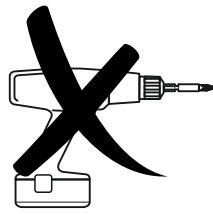
D10	
x4	USØ3,5x16

K1	
x1	

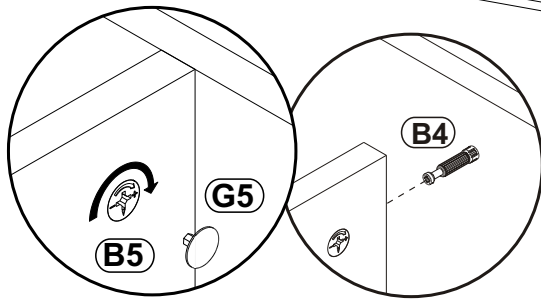
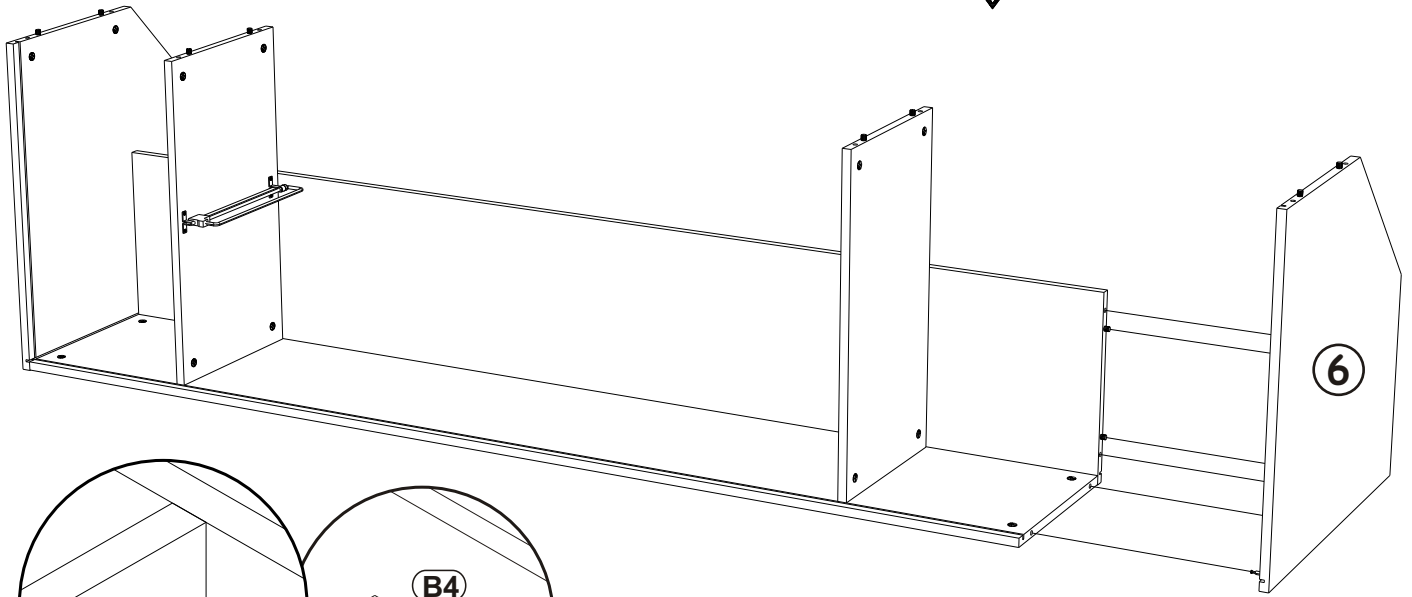
A1	
x8	ø8x30



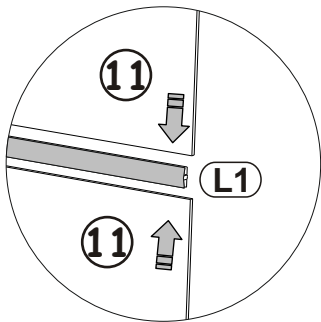
7



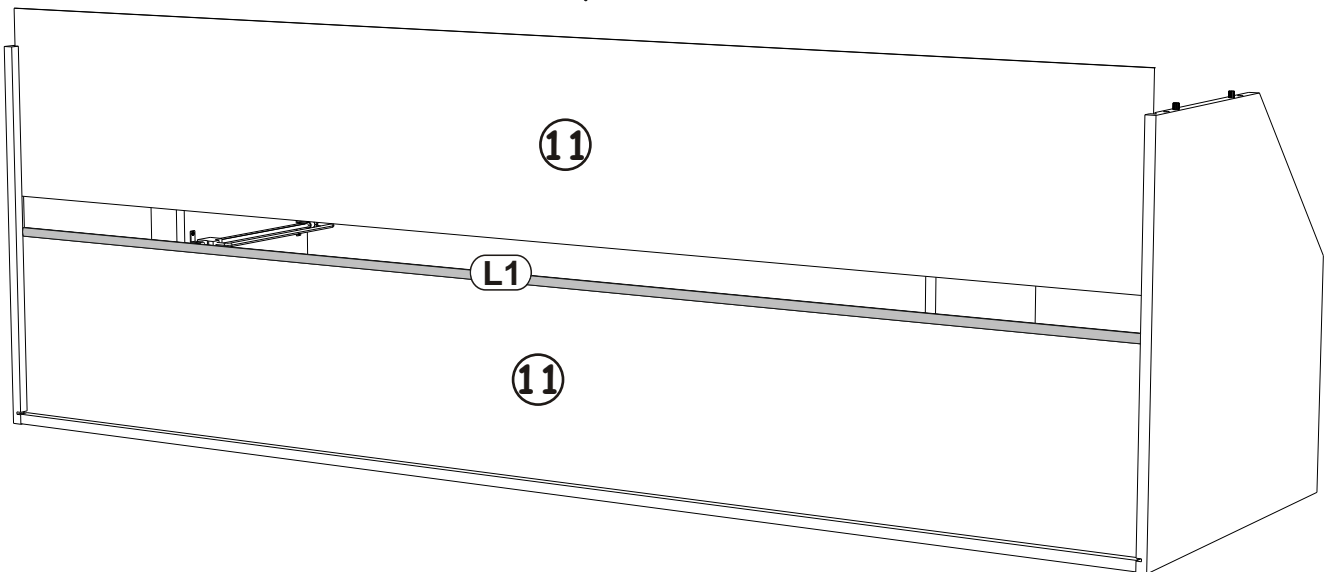
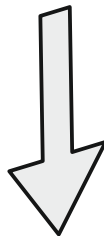
G5	
x4	

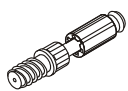


8

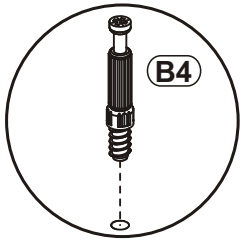
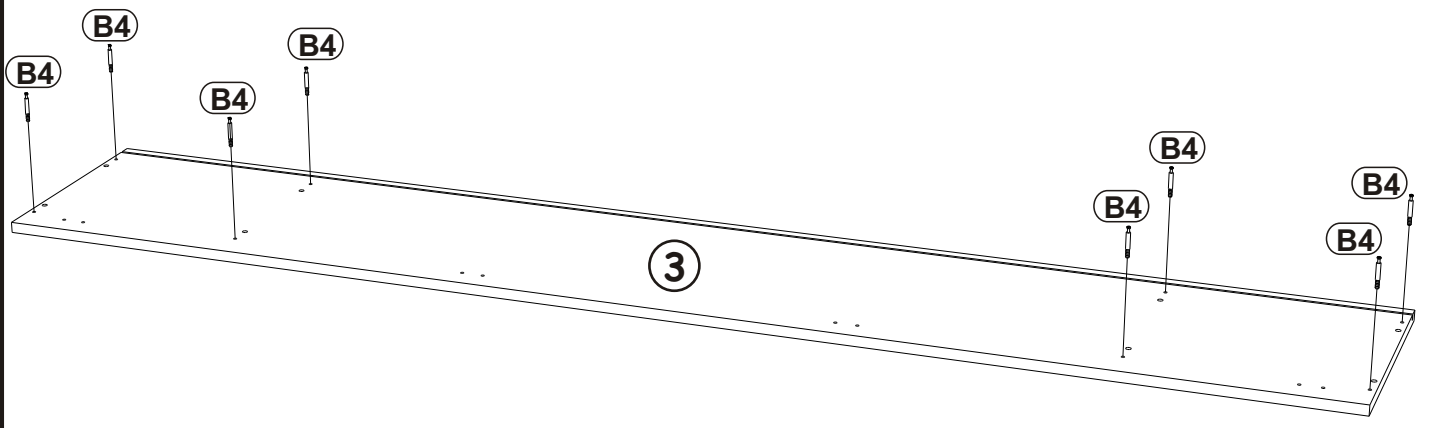


L1	
x1	




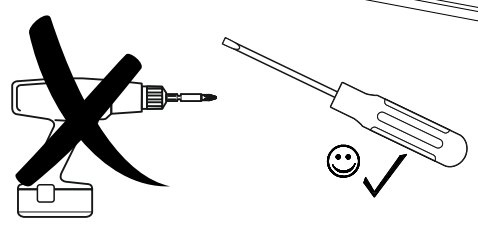
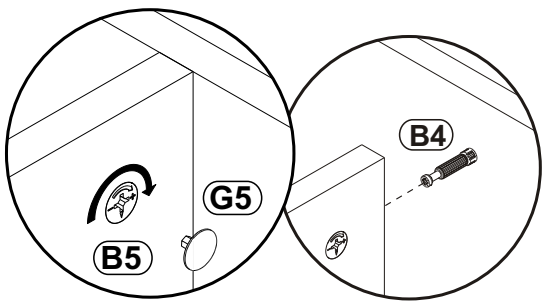
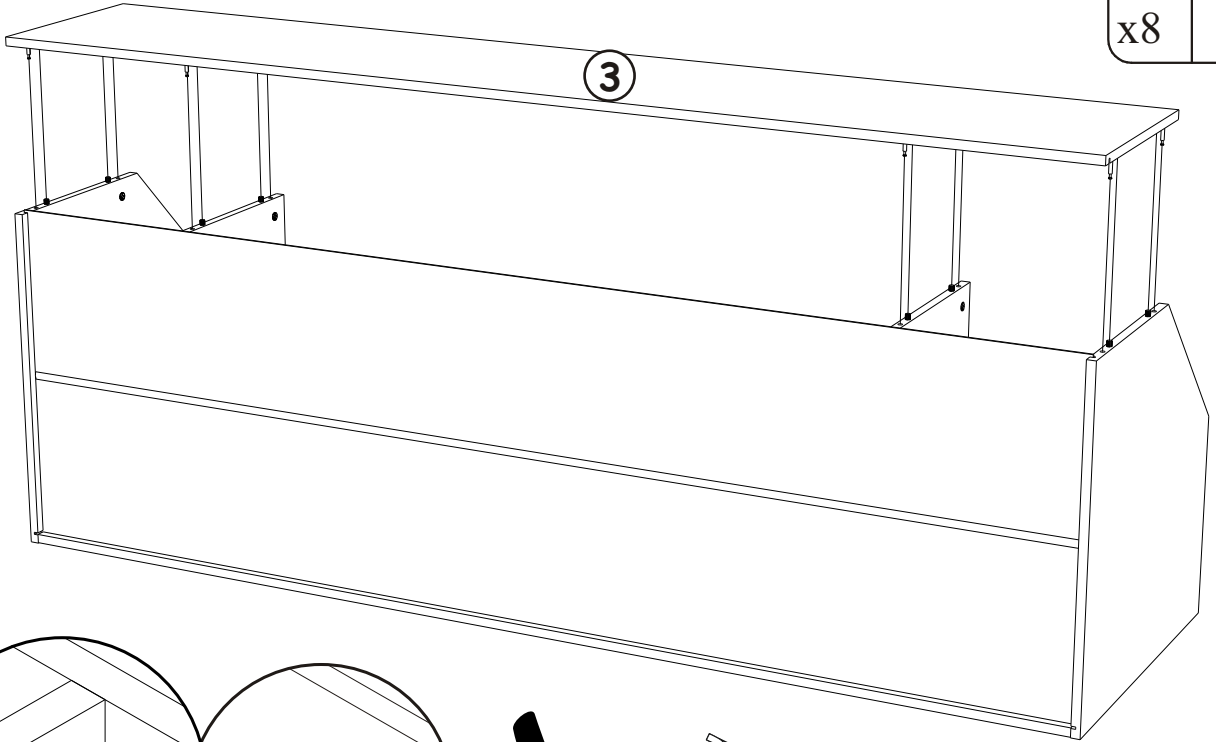
B4	
x8	

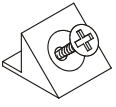
9



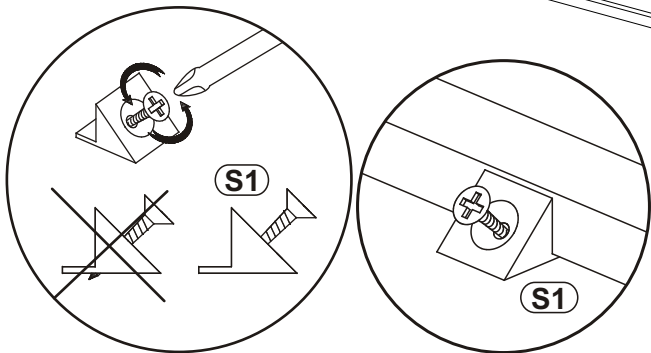
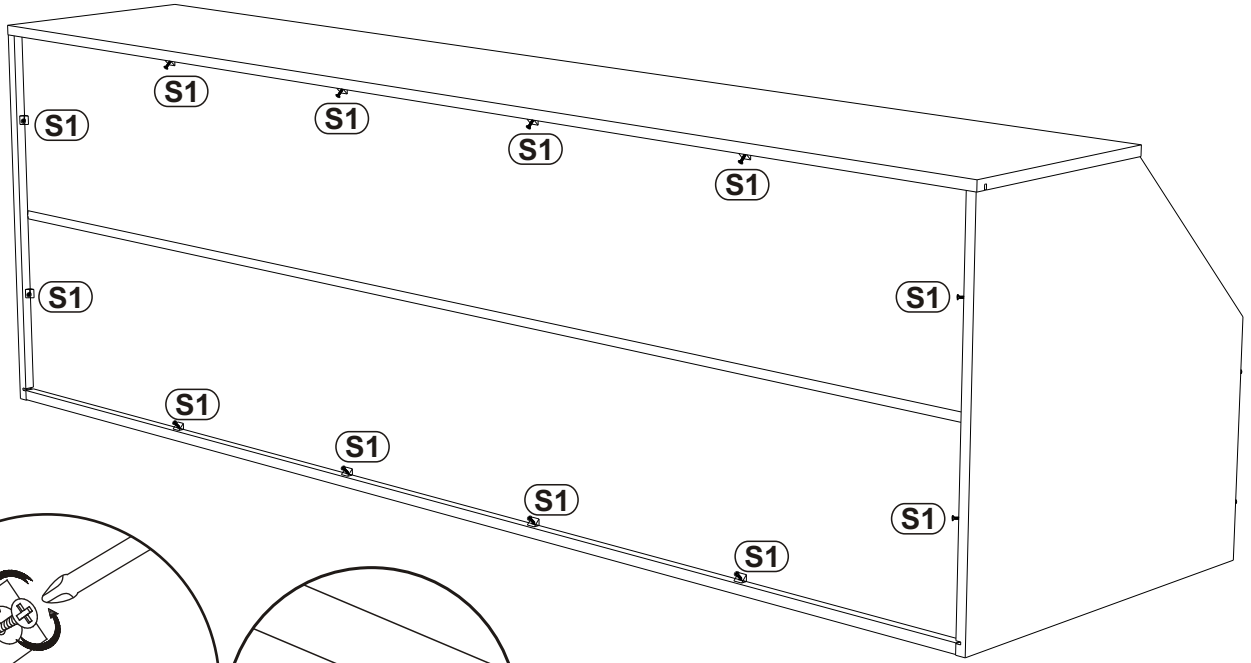
10

G5	
x8	

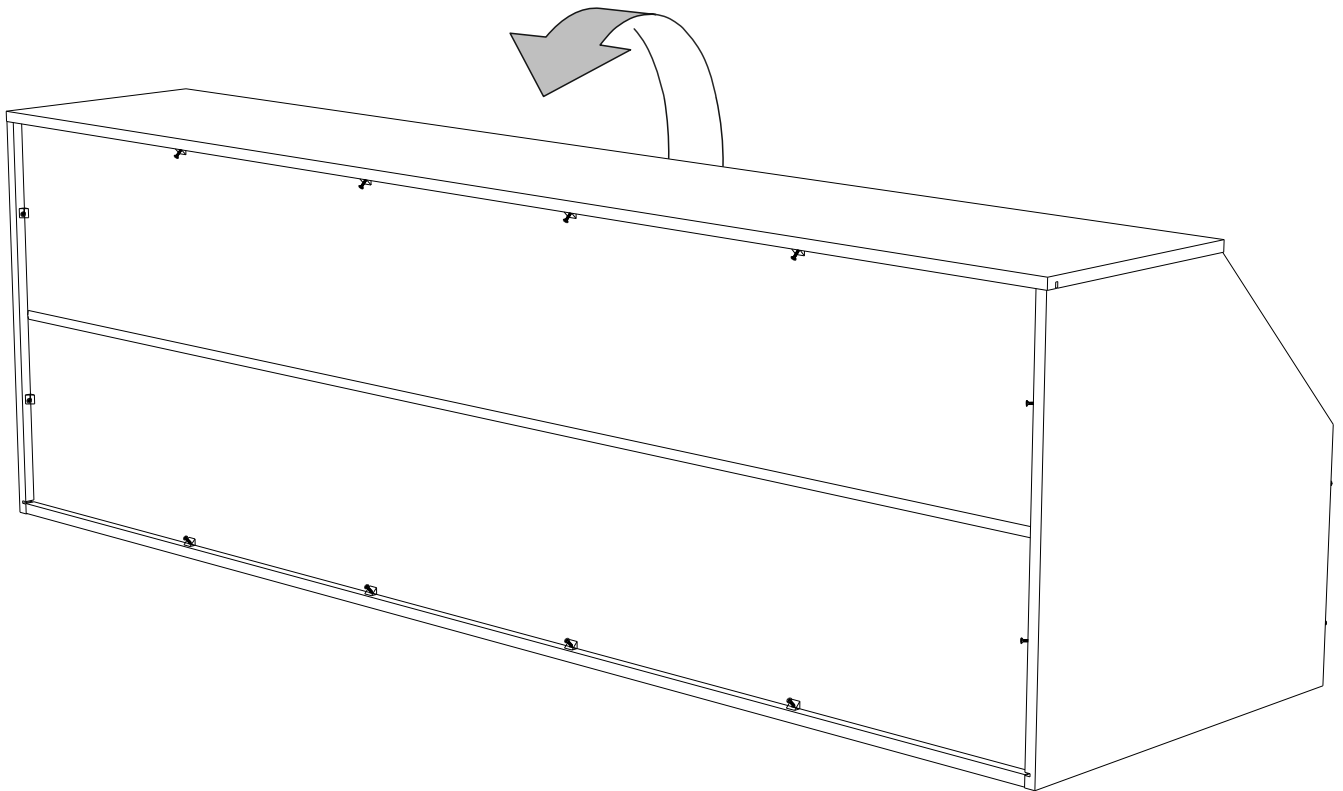



S1	
x12	

11

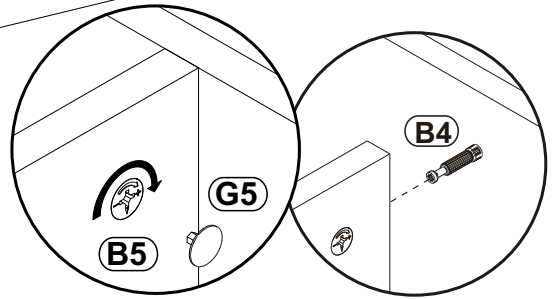
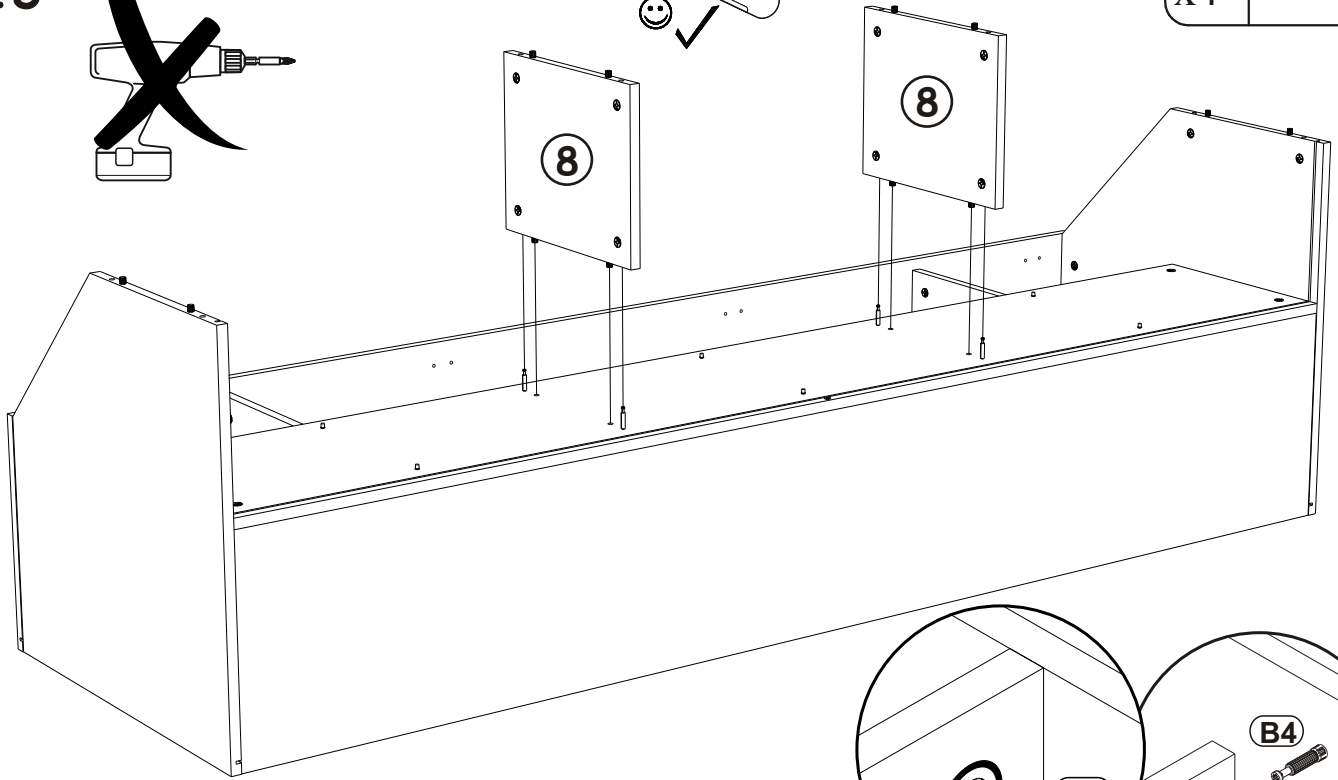
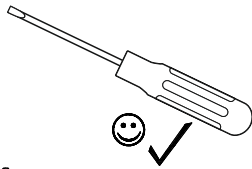
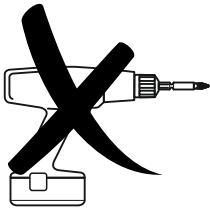


12

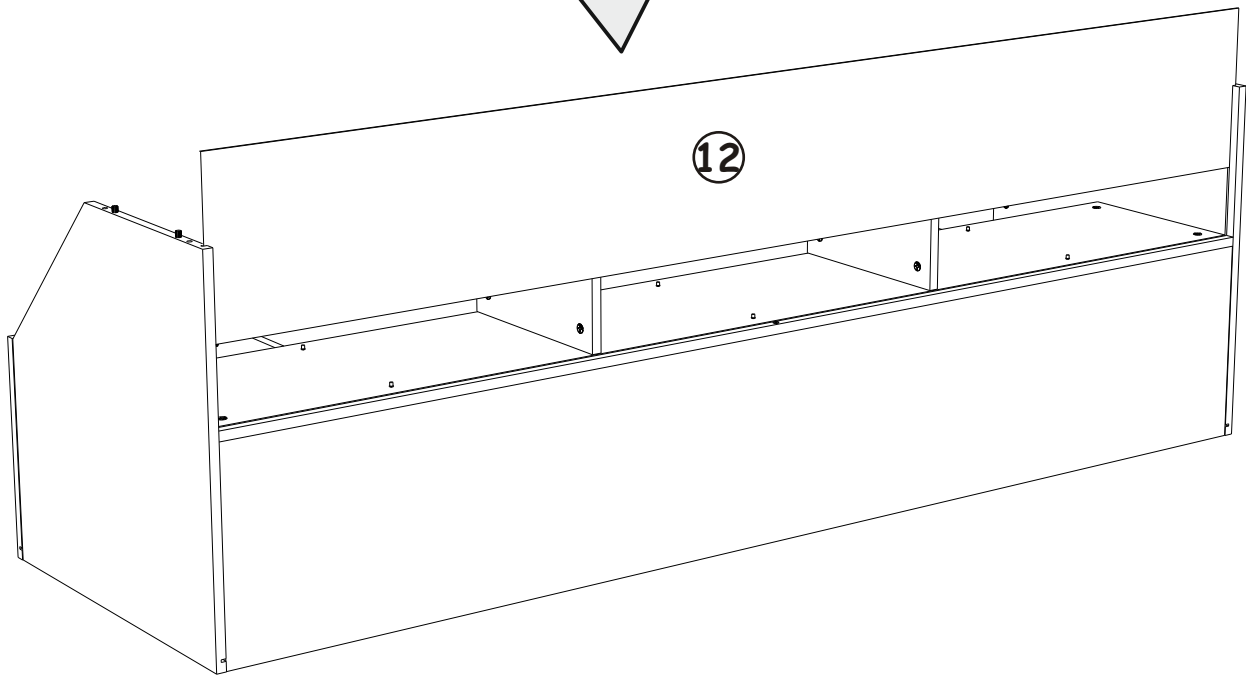
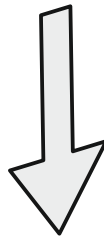



G5	
x4	

13

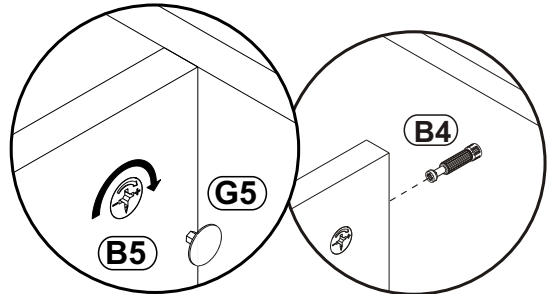
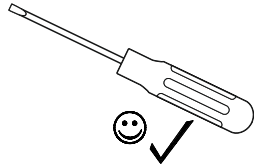
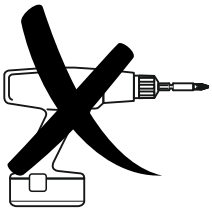
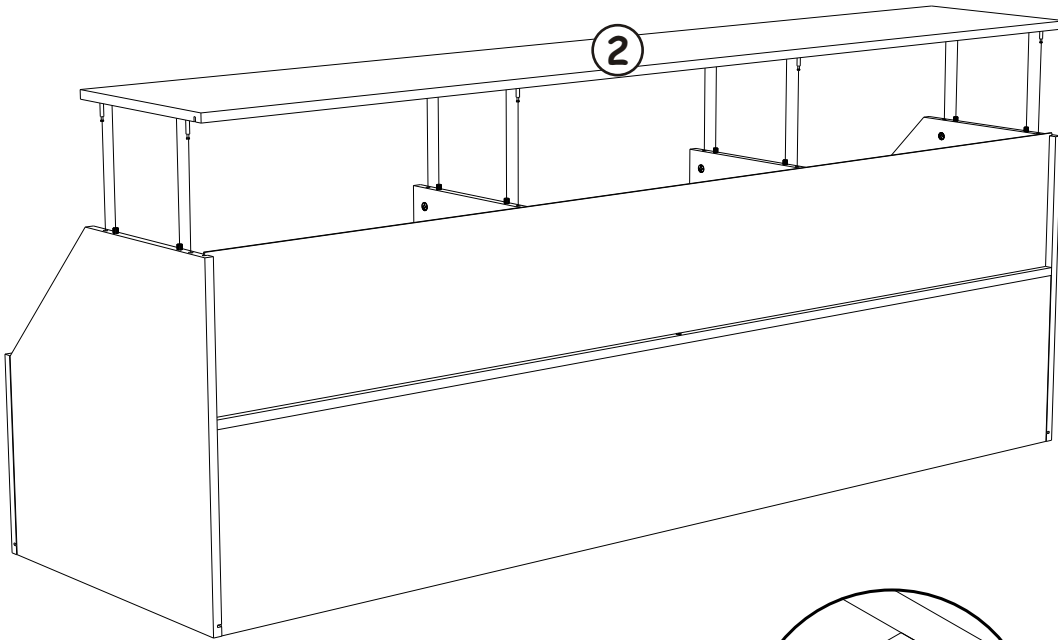


14

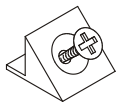


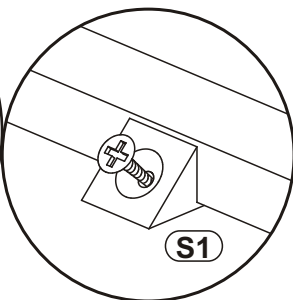
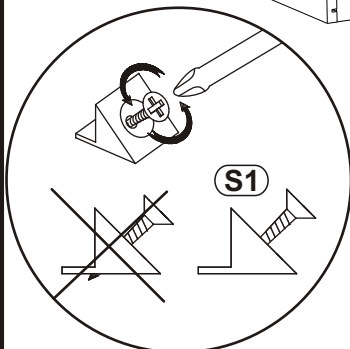
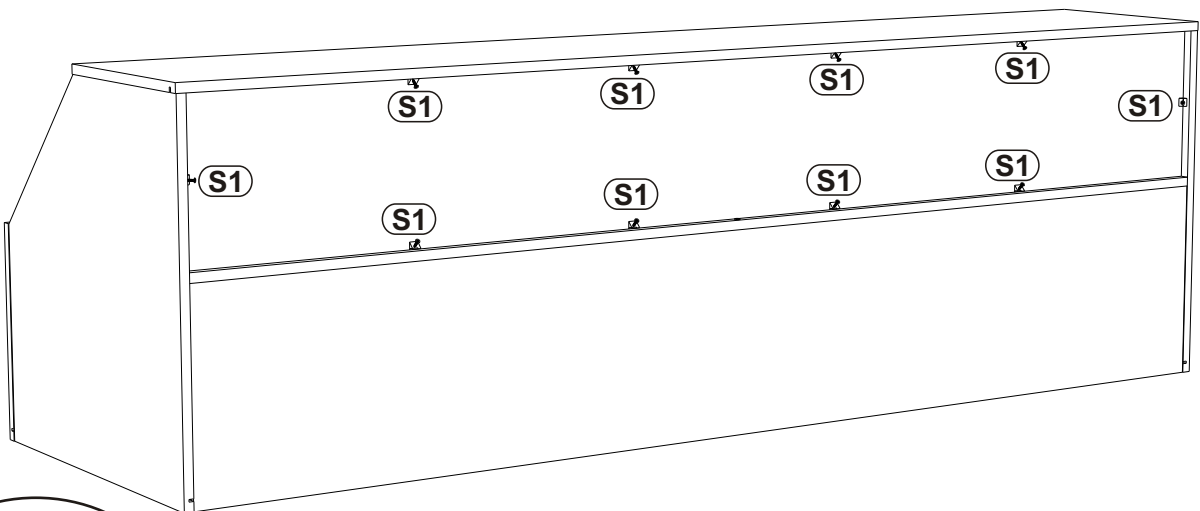
G5	
x8	

15

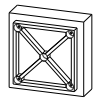
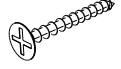


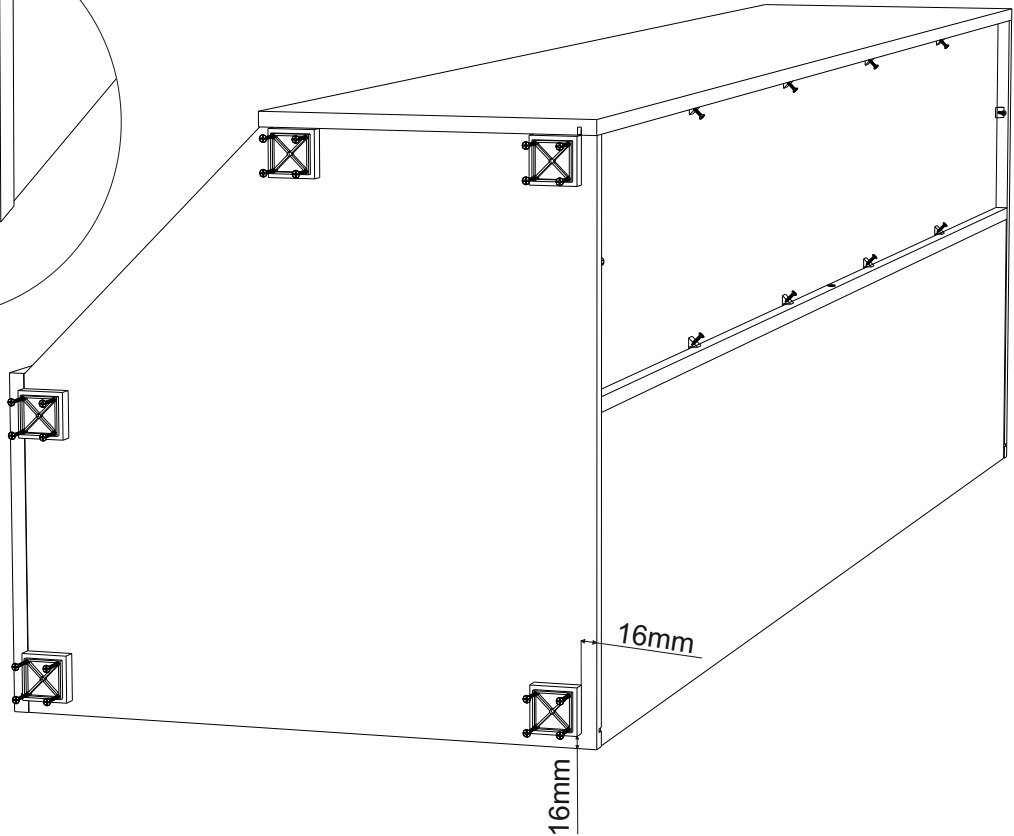
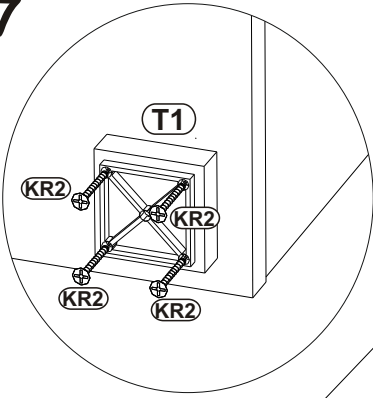
16

S1	
x10	


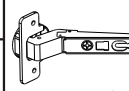


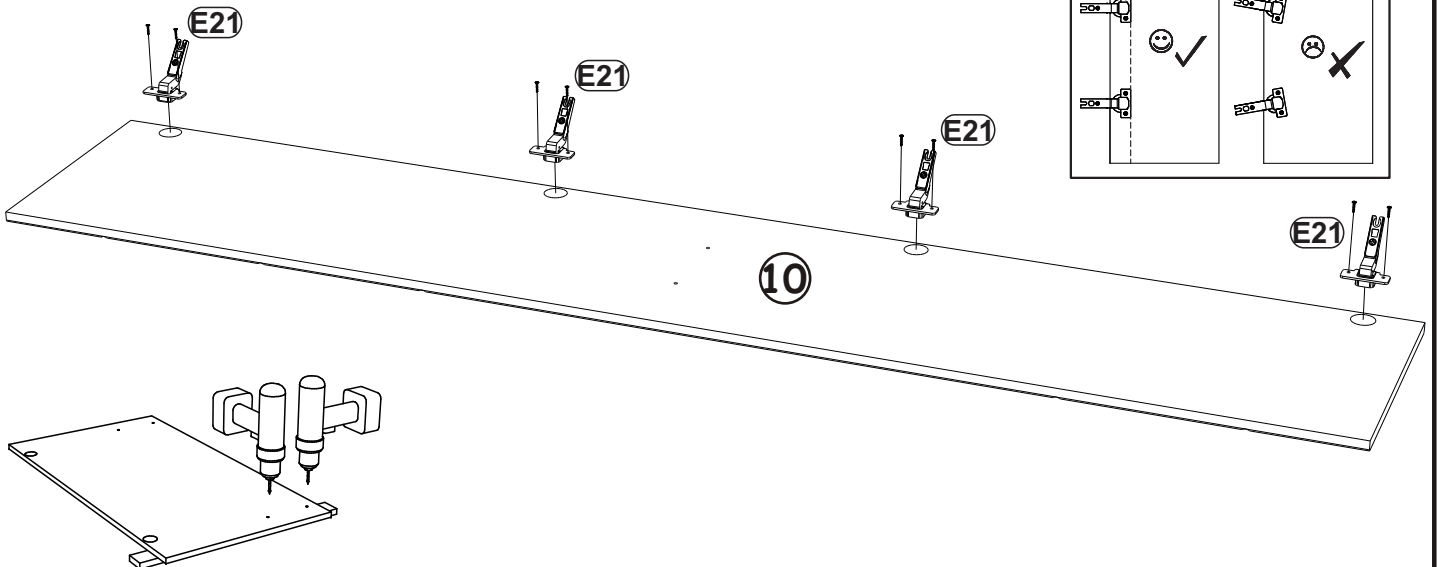
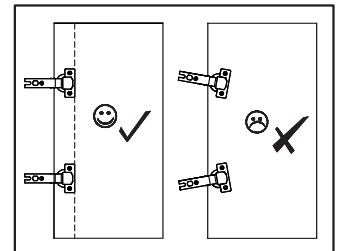
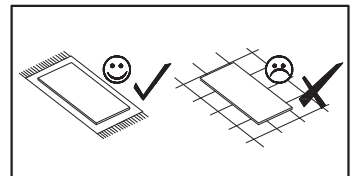
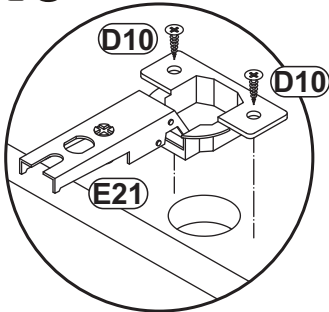
17

T1		KR2	
x5	50x50x20mm	x20	USØ3,5x30

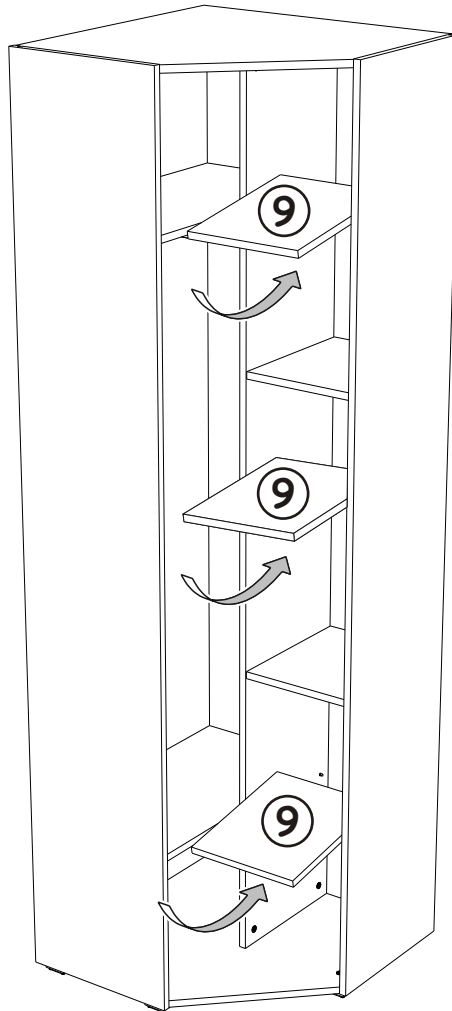


18

D10		E21	
x8	USØ3,5x16	x4	Ø35 H=0



19



20

